

DICOM Conformance Statement

**Product Name: ACUSON SC2000
Volume Imaging Ultrasound
System**

Release: VA30A

Date: December 2012

1 CONFORMANCE STATEMENT OVERVIEW

The **ACUSON SC2000™ Volume Imaging Ultrasound System** supports the following DICOM Application Entities:

- Verification
 - o Verification AE
- Transfer
 - o Storage AE
 - o Storage Commitment AE
- Query / Retrieve
 - o Query AE
 - o Retrieve AE
- Workflow Management
 - o Worklist AE
 - o MPPS AE

**Table 1-1:
Network Services**

SOP Classes	Service Class User (SCU)	Service Class Provider (SCP)
VERIFICATION		
Verification AE		
Verification	Yes	Yes
TRANSFER		
Storage AE		
Ultrasound Image Storage	Yes	Yes
Ultrasound Multi-frame Image Storage	Yes	Yes
Secondary Capture Image Storage	Yes	Yes
Comprehensive SR	Yes	Yes
Raw Data Storage	Yes	Yes
Storage Commitment AE		
Storage Commitment Push Model	Yes	No
QUERY / RETRIEVE		
Query AE		
Study Root Query/Retrieve Information Model – FIND	Yes	No
Retrieve AE		
Study Root Query/Retrieve Information Model – MOVE	Yes	No
WORKFLOW MANAGEMENT		
Worklist AE		
Modality Worklist	Yes	No
MPPS AE		
MPPS (N-Create, N-Set)	Yes	No

**Table 1-2:
UID Values**

SOP Class Name	SOP Class UID	Category
Verification AE		
Verification	1.2.840.10008.1.1	Verification
Storage AE		
Ultrasound Image Storage	1.2.840.10008.5.1.4.1.1.6.1	Transfer
Ultrasound Multi-frame Image Storage	1.2.840.10008.5.1.4.1.1.3.1	Transfer
Secondary Capture Image Storage	1.2.840.10008.5.1.4.1.1.7	Transfer
Comprehensive SR	1.2.840.10008.5.1.4.1.1.88.33	Transfer
Raw Data Storage	1.2.840.10008.5.1.4.1.1.66	Transfer
Storage Commitment AE		
Storage Commitment Push Model	1.2.840.10008.1.20.1	Transfer
Query AE		
Study Root Query/Retrieve Information Model – FIND	1.2.840.10008.5.1.4.1.2.2.1	Query / Retrieve
Retrieve AE		
Study Root Query/Retrieve Information Model – MOVE	1.2.840.10008.5.1.4.1.2.2.2	Query / Retrieve
Worklist AE		
Modality Worklist	1.2.840.10008.5.1.4.31	Workflow Management
MPPS AE		
MPPS (N-Create, N-Set)	1.2.840.10008.3.1.2.3.3	Workflow Management

**Table 1-3:
Media Services**

Media Storage Application Profile	Write Files (FSC or FSU)	Read Files (FSR)
DVD—Recordable		
STD-US-ID-SF-DVD	Yes	Yes
STD-US-ID-MF-DVD	Yes	
Compact Disk—Recordable		
STD-US-ID-SF-CDR	Yes	Yes
STD-US-ID-MF-CDR	Yes	

2 TABLE OF CONTENTS

1	CONFORMANCE STATEMENT OVERVIEW.....	2
2	TABLE OF CONTENTS.....	4
3	INTRODUCTION	10
3.1	Audience.....	10
3.2	Remarks.....	10
3.3	Terms and Definitions.....	11
3.4	Basics of DICOM Communication	13
3.5	Abbreviations	14
3.6	References.....	14
4	NETWORKING	15
4.1	Implementation Model.....	15
4.1.1	Application Data Flow.....	15
4.1.2	Functional Definition of AE's	16
4.1.2.1	Verification AE	17
4.1.2.2	Storage AE.....	17
4.1.2.3	Storage Commitment AE	18
4.1.2.4	Worklist AE	18
4.1.2.5	Modality Performed Procedure Step AE.....	18
4.1.2.6	Query/Retrieve AE	18
4.1.3	Sequencing of Real-World Activities	19
4.2	AE Specifications	20
4.2.1	Storage AE	20
4.2.1.1	SOP Classes.....	20
4.2.1.2	Association Policies	20
4.2.1.3	Association Initiation Policy (Storage SCU).....	21
4.2.1.4	Association Acceptance Policy	23
4.2.2	Storage Commitment AE.....	25
4.2.2.1	SOP Classes.....	25
4.2.2.2	Association Policies	25
4.2.2.3	Association Initiation Policy (Storage Commitment SCU)	26
4.2.2.4	Association Acceptance Policy	28
4.2.3	Query AE	28
4.2.3.1	SOP Classes.....	28
4.2.3.2	Association Policies	28
4.2.3.3	Association Initiation Policy (Query SCU)	29
4.2.3.4	Association Acceptance Policy	30
4.2.4	Retrieve AE	31
4.2.4.1	SOP Classes.....	31
4.2.4.2	Association Policies	31
4.2.4.3	Association Initiation Policy	32
4.2.4.4	Association Acceptance Policy	33
4.2.5	Worklist AE	33
4.2.5.1	SOP Classes.....	33
4.2.5.2	Association Policies	33
4.2.5.3	Association Initiation Policy	34
4.2.5.4	Association Acceptance Policy	40

4.2.6	MPPS AE.....	40
4.2.6.1	SOP Classes.....	40
4.2.6.2	Association Policies.....	40
4.2.6.3	Association Initiation Policy	41
4.2.6.4	Association Acceptance Policy	42
4.3	Network Interfaces.....	42
4.3.1	Physical Network Interface.....	42
4.3.2	Additional Protocols.....	43
4.3.3	IPv4 and IPv6 Support	43
4.4	Configuration.....	43
4.4.1	Local Host - TCP/IP and General.....	43
4.4.1.1	DICOM Storage Configuration.....	43
4.4.1.2	DICOM HIS/RIS Configuration	43
5	MEDIA INTERCHANGE	44
5.1	Implementation Models.....	44
5.1.1	Application Data Flow Diagram.....	44
5.1.2	Functional definitions of AEs	45
5.1.3	Sequencing of Real-World Activities	45
5.1.4	File Meta Information for Implementation Class and Version	45
5.2	AE Specifications	45
5.2.1	Media Storage AE Specification.....	45
5.2.2	Implementation Identifying Information	46
5.3	Media Storage Application Profile.....	46
5.3.1	DICOMDIR Keys	46
5.3.2	Compliance to STD-GEN-CDR	48
5.3.3	Compliance to STD-US-SC-MF-CDR	48
5.3.4	Compliance to STD-US-ID-MF-CDR.....	49
6	SUPPORT OF CHARACTER SETS	49
6.1	Character Sets for ACUSON SC2000 System	49
7	SECURITY.....	49
7.1	Security Profiles.....	49
7.2	Association Level Security	49
7.3	Application Level Security.....	49
8	ANNEXES.....	50
8.1	IOD Contents	50
8.1.1	Created SOP Instances.....	50
8.1.1.1	US Image IOD Attributes	50
8.1.1.2	US Multi-frame Image IOD Attributes	53
8.1.1.3	Secondary Capture Image IOD Attributes	56
8.1.1.4	Comprehensive SR IOD Attributes.....	58
8.1.1.5	Raw Data IOD Attributes	61
8.1.1.6	MPPS: N-CREATE	65
8.1.1.7	MPPS: N-SET	67
8.1.1.8	Query: C-FIND	67

9 APPENDICES..... 70

9.1 Appendix A: Echocardiography Structured Report 70

9.1.1 Patient Characteristics 71

9.1.2 Left Ventricle..... 71

9.1.3 Right Ventricle 81

9.1.4 Left Atrium 85

9.1.5 Right Atrium..... 89

9.1.6 Aortic Valve 91

9.1.7 Mitral Valve..... 94

9.1.8 Pulmonic Valve..... 97

9.1.9 Tricuspid Valve..... 99

9.1.10 Aorta 102

9.1.11 Pulmonary Artery..... 104

9.1.12 Vena Cava..... 104

9.1.13 Pulmonary Venous Structure 106

9.1.14 Cardiac Shunt Study 109

9.1.15 Private Section: Coronary Artery..... 111

9.1.16 Private Section: Stress Echo..... 111

9.1.16.1 Stress Echo and LVA..... 113

9.1.17 Private Section: Clinical Application Package..... 114

9.1.17.1 CAP: Left Ventricular Analysis..... 115

9.1.17.2 CAP: Right Ventricular Analysis 117

9.1.17.3 CAP: Velocity Vector Imaging..... 117

9.1.17.4 CAP: 3D PISA..... 130

9.2 Appendix B: Vascular Structured Report 132

9.2.1 Patient Characteristics 134

9.2.2 Artery of Neck (Left Extracranial Arteries, Carotid Ratios)..... 134

9.2.3 Artery of Neck (Right Extracranial Arteries, Carotid Ratios) 135

9.2.4 Artery of Lower Extremity (Left Side) 136

9.2.5 Artery of Lower Extremity (Right Side)..... 138

9.2.6 Artery of Upper Extremity (Left Side) 140

9.2.7 Artery of Upper Extremity (Right Side)..... 141

9.2.8 Vascular Structure of Kidney (Left Side)..... 142

9.2.9 Vascular Structure of Kidney (Right Side)..... 143

9.2.10 Artery of Abdomen (Unilateral)..... 144

9.2.11 Vein of Abdomen (Unilateral) 144

9.3 Appendix C: Supported Units in Structured Reports..... 145

LIST OF TABLES

Table 1-1: Network Services	2
Table 1-2: UID Values.....	3
Table 1-3: Media Services	3
Table 4-1: SOP Classes for Storage AE.....	20
Table 4-2: DICOM Application Context.....	20
Table 4-3: Number of Associations as an Association Initiator for Storage AE.....	20
Table 4-4: Number of Associations as an Association Acceptor for Storage AE	20
Table 4-5: Asynchronous Nature as an Association Initiator for Storage AE	21
Table 4-6: DICOM Implementation Class and Version for Storage AE	21
Table 4-7: Store Presentation Context.....	22
Table 4-8: Photometric Interpretation	22
Table 4-9: DICOM Command Response Status Handling Behavior	23
Table 4-10: DICOM Command Communication Failure Behavior.....	23
Table 4-11: Storage C-STORE Response Status	24
Table 4-12: SOP Classes for Storage Commitment AE	25
Table 4-13: DICOM Application Context.....	25
Table 4-14: Number of Associations as an Association Initiator for Storage Commitment AE	25
Table 4-15: Number of Associations as an Association Acceptor for Storage Commitment AE.....	25
Table 4-16: Asynchronous Nature as an Association Initiator for Storage Commitment AE.....	26
Table 4-17: DICOM Implementation Class and Version for Storage Commitment AE	26
Table 4-18: Proposed Presentation Contexts for Storage Commitment AE.....	26
Table 4-19: DICOM Command Response Status Handling Behavior	27
Table 4-20: DICOM Command Communication Failure Behavior.....	27
Table 4-21: Proposed Presentation Contexts for Storage Commitment AE.....	27
Table 4-22: DICOM Command Response Status Handling Behavior	28
Table 4-23: SOP Classes for Query AE.....	28
Table 4-24: DICOM Application Context.....	28
Table 4-25: Number of Associations as an Association Initiator for Query AE.....	28
Table 4-26: Number of Associations as an Association Acceptor for Query AE	29
Table 4-27: Asynchronous Nature as an Association Initiator for Query AE	29
Table 4-28: DICOM Implementation Class and Version for Query AE.....	29
Table 4-29: Proposed Presentation Contexts for Query AE	30
Table 4-30: DICOM Command Response Status Handling Behavior	30
Table 4-31: DICOM Command Communication Failure Behavior.....	30
Table 4-32: SOP Classes for Retrieve AE	31
Table 4-33: DICOM Application Context.....	31
Table 4-34: Number of Associations as an Association Initiator for Retrieve AE	31
Table 4-35: Number of Associations as an Association Acceptor for Retrieve AE.....	31
Table 4-36: Asynchronous Nature as an Association Initiator for Retrieve AE	31
Table 4-37: DICOM Implementation Class and Version for Retrieve AE	32
Table 4-38: Proposed Presentation Contexts for Retrieve AE and Activity MOVE SCU	32
Table 4-39: DICOM Command Response Status Handling Behavior	33
Table 4-40: DICOM Command Communication Failure Behavior.....	33
Table 4-41: SOP Classes for Worklist AE.....	33
Table 4-42: DICOM Application Context.....	33
Table 4-43: Number of Associations as an Association Initiator for Worklist AE.....	34
Table 4-44: Number of Associations as an Association Acceptor for Worklist AE	34
Table 4-45: Asynchronous Nature as an Association Initiator for Worklist AE	34
Table 4-46: DICOM Implementation Class and Version for Worklist AE	34
Table 4-47: Proposed Presentation Contexts for Worklist AE	35
Table 4-48: Modality Worklist Matching Key Attributes (Broad Query)	35
Table 4-49: Modality Worklist Matching Key Attributes (Patient Based Query).....	36

Table 4-50: Modality Worklist C_FIND_RSP Return Key Attributes.....	36
Table 4-51: DICOM Command Response Status Handling Behavior	40
Table 4-52: DICOM Command Communication Failure Behavior.....	40
Table 4-53: SOP Classes for MPPS	40
Table 4-54: DICOM Application Context.....	40
Table 4-55: Number of Associations as an Association Initiator for MPPS AE	41
Table 4-56: DICOM Implementation Class and Version for MPPS AE	41
Table 4-57: Proposed Presentation Contexts for MPPS AE.....	42
Table 4-58: DICOM Command Response Status Handling Behavior	42
Table 4-59: DICOM Command Communication Failure Behavior.....	42
Table 5-1: Implementation Class/Version Name – Media Interchange	45
Table 5-2: Application Profiles, Activities, and Roles for DICOM Exchange Media	45
Table 5-3: DICOM Implementation Class and Version for Media Storage AE	46
Table 5-4: DICOMDIR Keys.....	46
Table 5-5: STD-GEN-CDR Supported SOP Classes	48
Table 5-6: STD-US-SC-MF-CDR Supported SOP Classes.....	48
Table 5-7: STD-US-MF-CDR Supported SOP Classes.....	49

LIST OF FIGURES

Figure 4-1. Functional Overview	15
Figure 4-2. Functional Overview (Continued)	16
Figure 4-3. Sequence Diagram for Real-World Activities	19
Figure 5-1. Media Application Data Flow Diagram	44

3 INTRODUCTION

This document describes the conformance to the ACR-NEMA DICOM 3.0 Standard by the ACUSON SC2000™ volume imaging ultrasound system, version VA30A from Siemens Healthcare. It shall establish the conformance specifications for this system only, and does not apply to other products offered by Siemens Healthcare or its affiliates.

The ACUSON SC2000 system is a device that generates ultrasound images that can be sent using DICOM standard protocols and definitions to other DICOM compliant devices that support SOP classes as defined in Table 4-1: SOP Classes for Storage AE in this document.

The DICOM standard provides a well-defined set of structures and protocols that allow inter-operability of a wide variety of medical imaging devices. The ACUSON SC2000 system provides support for essential services related to ultrasound scanning and connectivity to DICOM compliant devices. ACUSON SC2000 systems will not support all features supported by the DICOM standard. This document clearly states the DICOM services and data classes that are supported by the applications included with the ACUSON SC2000 system. The intent of this document is to allow users and other vendors who also conform to the DICOM standard to exchange information within the specific context of those elements of the DICOM standard that the ACUSON SC2000 system supports.

This document is written with respect to the adopted portions of the DICOM standard, Version 3. The following sections of this document follow the outline specified in the DICOM Standard NEMA publication PS3.2.¹

3.1 Audience

This document is written for the people that need to understand how the ACUSON SC2000 system will integrate into their healthcare facility. This includes both those responsible for overall imaging network policy and architecture, as well as integrators who need to have a detailed understanding of the DICOM features of the product. This document contains some basic DICOM definitions so that any reader may understand how this product implements DICOM features. However, integrators are expected to fully understand all the DICOM terminology, how the tables in this document relate to the product's functionality, and how that functionality integrates with other devices that support compatible DICOM features.

3.2 Remarks

The scope of this DICOM Conformance Statement is to facilitate integration between the ACUSON SC2000 system and other DICOM products. The Conformance Statement should be read and understood in conjunction with the DICOM Standard.

DICOM, by itself, does not guarantee interoperability. However, the Conformance Statement facilitates a first-level validation for interoperability between different applications supporting the same DICOM functionality as SCU and SCP, respectively.

This Conformance Statement is not intended to replace validation with other DICOM equipment to ensure proper exchange of information intended.

The scope of this Conformance Statement is to facilitate communication with Siemens and other vendors' Medical equipment. The Conformance Statement should be read and understood in conjunction with the DICOM 3.0 Standard [1]. However, by itself it is not guaranteed to ensure the desired interoperability and a successful interconnectivity.

¹ Source: DICOM® Standards Publication Part 2, © NEMA. The DICOM Standard is under continuous maintenance. The current official version is available at <http://dicom.nema.org>.

The user should be aware of the following important issues:

- The comparison of different conformance statements is the first step towards assessing interconnectivity.
- Test procedures should be defined and tests should be performed by the user to validate the connectivity desired. DICOM itself and the conformance parts do not specify this.
- The standard will evolve to meet the users' future requirements. Siemens is actively involved in developing the standard further and therefore reserves the right to make changes to its products or to discontinue its delivery.

Siemens reserves the right to modify the design and specifications contained herein without prior notice. Please contact your local Siemens representative for the most recent product information.

3.3 Terms and Definitions

Informal definitions are provided for the following terms used in this Conformance Statement. The DICOM Standard is the authoritative source for formal definition of these terms.

Abstract Syntax – The information agreed to be exchanged between applications, generally equivalent to a Service/Object Pair (SOP) Class. Examples: Verification SOP Class, Modality Worklist Information Model Find SOP Class, Computed Radiography Image Storage SOP Class.

ACUSON SC2000™ system – The volume imaging ultrasound system of this conformance statement; also referred to as the SC2000.

Application Entity (AE) – An end point of a DICOM information exchange, including the DICOM network or media interface software; i.e., the software that sends or receives DICOM information objects or messages. A single device may have multiple Application Entities.

Application Entity Title – The externally known name of an *Application Entity*, used to identify a DICOM application to other DICOM applications on the network.

Application Context – The specification of the type of communication used between *Application Entities*. Example: DICOM network protocol.

Association – A network communication channel set up between *Application Entities*.

Attribute – A unit of information in an object definition; a data element identified by a *tag*. The information may be a complex data structure (Sequence), itself composed of lower level data elements. Examples: Patient ID (0010,0020), Accession Number (0008,0050), Photometric Interpretation (0028,0004), Procedure Code Sequence (0008,1032).

Attribute Macro - A set of Attributes that are described in a single table that is referenced by multiple Module or other tables.

Information Object Definition (IOD) – A data abstraction of a class of similar Real-World Objects which defines the nature and attributes relevant to the class of Real-World objects represented. Examples: MR Image IOD, CT Image IOD, Print Job IOD.

Integrating the Healthcare Enterprise (IHE) – An initiative sponsored by the Radiological Society of North America (RSNA) to document and demonstrate standards-based methods of sharing information in support of optimal patient care. For additional information, see www.rsna.org/ihe.

Functional Group - A set of logically related Attributes that are likely to vary together. May be used in Multi-frame IODs to describe parameters which change on a per frame basis.

Joint Photographic Experts Group (JPEG) – Joint Photographic Experts Group, The group was organized in 1986, issuing a standard in 1992, which was approved in 1994 as ISO 10918-1. The JPEG standard is used by DICOM applications.

Media Application Profile – The specification of DICOM information objects and encoding exchanged on removable media (e.g., CDs), see DICOM PS3.11.

Module – A set of *Attributes* within an *Information Object Definition* that are logically related to each other. Example: Patient Module includes (among others) Patient Name, Patient ID, Patient Birth Date, and Patient Sex.

Negotiation – First phase of *Association* establishment that allows *Application Entities* to agree on the types of data to be exchanged and how that data will be encoded.

Picture Archiving and Communications Systems (PACS) – A DICOM server that accepts medical images from another DICOM system and stores the images for later retrieval.

Presentation Context – The set of DICOM network services used over an *Association*, as negotiated between *Application Entities*; includes *Abstract Syntaxes* and *Transfer Syntaxes*.

Protocol Data Unit (PDU) – A packet (piece) of a DICOM message sent across the network. It contains protocol control information and user data. Devices must specify the maximum size packet they can receive for DICOM messages.

Request (RQ) – A request from one DICOM AE for service from another DICOM AE.

Response (RSP) – A response from one DICOM AE to the request for service from another DICOM AE.

Security Profile – A set of mechanisms, such as encryption, user authentication, or digital signatures, used by an *Application Entity* to ensure confidentiality, integrity, and/or availability of exchanged DICOM data.

Service Class Provider (SCP) – The role of an *Application Entity* that provides a DICOM network service; typically, a server that performs operations requested by another *Application Entity* (*Service Class User*). Examples: Picture Archiving and Communication System (image storage SCP, and image query/retrieve SCP), Radiology Information System (modality worklist SCP).

Service Class User (SCU) – The role of an *Application Entity* that uses a DICOM network service; typically, a client. Examples: imaging modality (image storage SCU, and modality worklist SCU), imaging workstation (image query/retrieve SCU).

Service/Object Pair (SOP) Class – The specification of the network or media transfer (service) of a particular type of data (object); the fundamental unit of DICOM interoperability specification. Examples: Ultrasound Image Storage Service, Basic Grayscale Print Management.

Service/Object Pair (SOP) Instance – An information object; a specific occurrence of information exchanged in a *SOP Class*. Examples: a specific x-ray image.

Structured Report (SR) – A DICOM object which contains measurement, calculations, diagnoses, image references, and other non-image information concerning a patient exam.

syngo® SC2000™ Workplace – The workplace used with the ACUSON SC2000 system; also referred to as the SC2000 Workplace.

Tag – A 32-bit identifier for a data element, represented as a pair of four digit hexadecimal numbers, the “group” and the “element”. If the “group” number is odd, the tag is for a private (manufacturer-specific) data element. Examples: (0010,0020) [Patient ID], (07FE,0010) [Pixel Data], (0019,0210) [private data element].

Transfer Syntax – The encoding used for exchange of DICOM information objects and messages. Examples: *JPEG* compressed (images), little endian explicit value representation.

Unique Identifier (UID) – A globally unique “dotted decimal” string that identifies a specific object or a class of objects; an ISO-8824 Object Identifier. Examples: Study Instance UID, SOP Class UID, SOP Instance UID.

Value Representation (VR) – The format type of an individual DICOM data element, such as text, an integer, a person’s name, or a code. DICOM information objects can be transmitted with either explicit identification of the type of each data element (Explicit VR), or without explicit identification (Implicit VR); with Implicit VR, the receiving application must use a DICOM data dictionary to look up the format of each data element.

3.4 Basics of DICOM Communication

This section describes terminology used in this Conformance Statement for the non-specialist. The key terms used in the Conformance Statement are highlighted in *italics* below. This section is not a substitute for training about DICOM, and it makes many simplifications about the meanings of DICOM terms.

Two *Application Entities* (devices) that want to communicate with each other over a network using DICOM protocol must first agree on several things during an initial network “handshake”. One of the two devices must initiate an *Association* (a connection to the other device), and ask if specific services, information, and encoding can be supported by the other device (*Negotiation*).

DICOM specifies a number of network services and types of information objects, each of which is called an *Abstract Syntax* for the Negotiation. DICOM also specifies a variety of methods for encoding data, denoted *Transfer Syntaxes*. The Negotiation allows the initiating Application Entity to propose combinations of Abstract Syntax and Transfer Syntax to be used on the Association; these combinations are called *Presentation Contexts*. The receiving Application Entity accepts the Presentation Contexts it supports.

For each Presentation Context, the Association Negotiation also allows the devices to agree on *Roles* – which one is the *Service Class User* (SCU - client) and which is the *Service Class Provider* (SCP - server). Normally the device initiating the connection is the SCU, i.e., the client system calls the server, but not always.

The Association Negotiation finally enables exchange of maximum network packet (*PDU*) size, security information, and network service options (called *Extended Negotiation* information).

The Application Entities, having negotiated the Association parameters, may now commence exchanging data. Common data exchanges include queries for worklists and lists of stored images, transfer of image objects and analyses (structured reports), and sending images to film printers. Each exchangeable unit of data is formatted by the sender in accordance with the appropriate *Information Object Definition*, and sent using the negotiated Transfer Syntax. There is a Default Transfer Syntax that all systems must accept, but it may not be the most efficient for some use cases. Each transfer is explicitly acknowledged by the receiver with a *Response Status* indicating success, failure, or that query or retrieve operations are still in process.

Two Application Entities may also communicate with each other by exchanging media (such as a CD-R). Since there is no Association Negotiation possible, they both use a *Media Application Profile* that specifies “pre-negotiated” exchange media format, Abstract Syntax, and Transfer Syntax.

3.5 Abbreviations

ACR	American College of Radiology
AE	DICOM Application Entity
AET	DICOM Application Entity Title
ASCII	American Standard Code for Information Interchange
DB	Database
DCS	DICOM Conformance Statement
DSA	Digital Subtraction Angiography
IIDC	Image-Intensifier Distortion Correction
IOD	DICOM Information Object Definition
ISO	International Standard Organization
MPPS	Modality Performed Procedure Step
MWL	Modality Worklist
NEMA	National Electrical Manufacturers Association
O	Optional Key Attribute
PDU	DICOM Protocol Data Unit
R	Required Key Attribute
RIS	Radiology Information System
SC	Storage Commitment
SCU	DICOM Service Class User (DICOM client)
SCP	DICOM Service Class Provider (DICOM server)
SOP	DICOM Service-Object Pair
SR	Structured Report
U	Unique Key Attribute
US	Ultrasound

3.6 References

- [1] DICOM® Standards Publication, PS 3.1-2008 – PS 3.18-2008, © NEMA. The DICOM Standard is under continuous maintenance. The current official version is available at <http://dicom.nema.org>.
- [2] IHE Cardiology Technical Framework, Vol. I – II, http://www.ihe.net/Technical_Framework.

4 NETWORKING

This section contains the ACUSON SC2000 system networking related services.

4.1 Implementation Model

SC2000 users can store images directly on the system hard drive. Images can also be transferred to DICOM workstations and archive servers on a network. Storage Commitment can be used to insure that patient images and data is safely committed. Measurements from Cardiac exams can be exported as DICOM SR Objects. The system is capable of querying a HIS/RIS, using DICOM Basic Worklist Management Service, for a list of scheduled patient procedures. Measurements from Cardiac exams can be exported as DICOM SR Objects. Performed procedure status and other procedure information can be returned to the HIS/ RIS using Modality Performed Procedure Step (MPPS).

SC2000 Real World Activities are indicated by “Real World Activity” name while “SC2000 AE” indicates the invoked Application Entity. Similarly, the activities associated with service providers are indicated as “Real World Service Activity.”

4.1.1 Application Data Flow

Figure 4-1 and Figure 4-2 provide a functional overview of the SC2000’s Application Entities (AE). Relationships are shown between user-invoked activities (in the circles at the left of the AEs) and the associated real-world activities provided by DICOM service providers (in the circles at the right of the AEs).

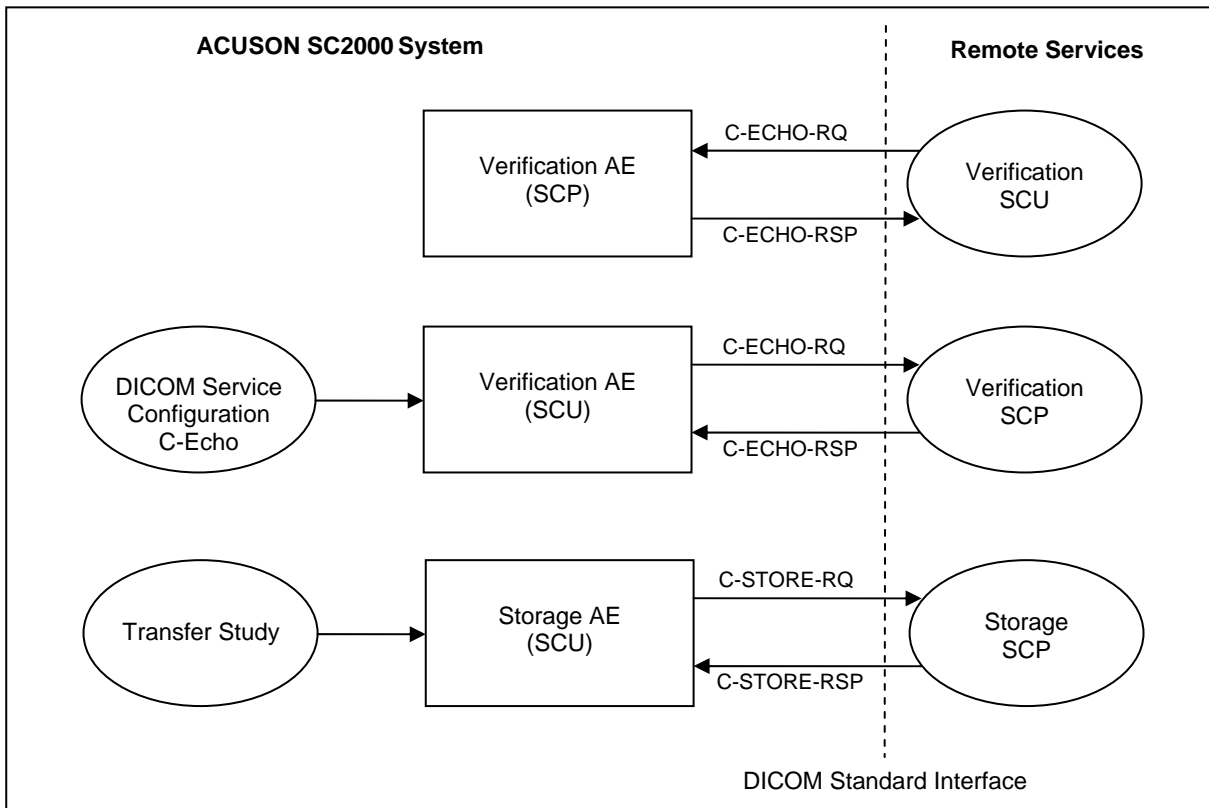


Figure 4-1. Functional Overview

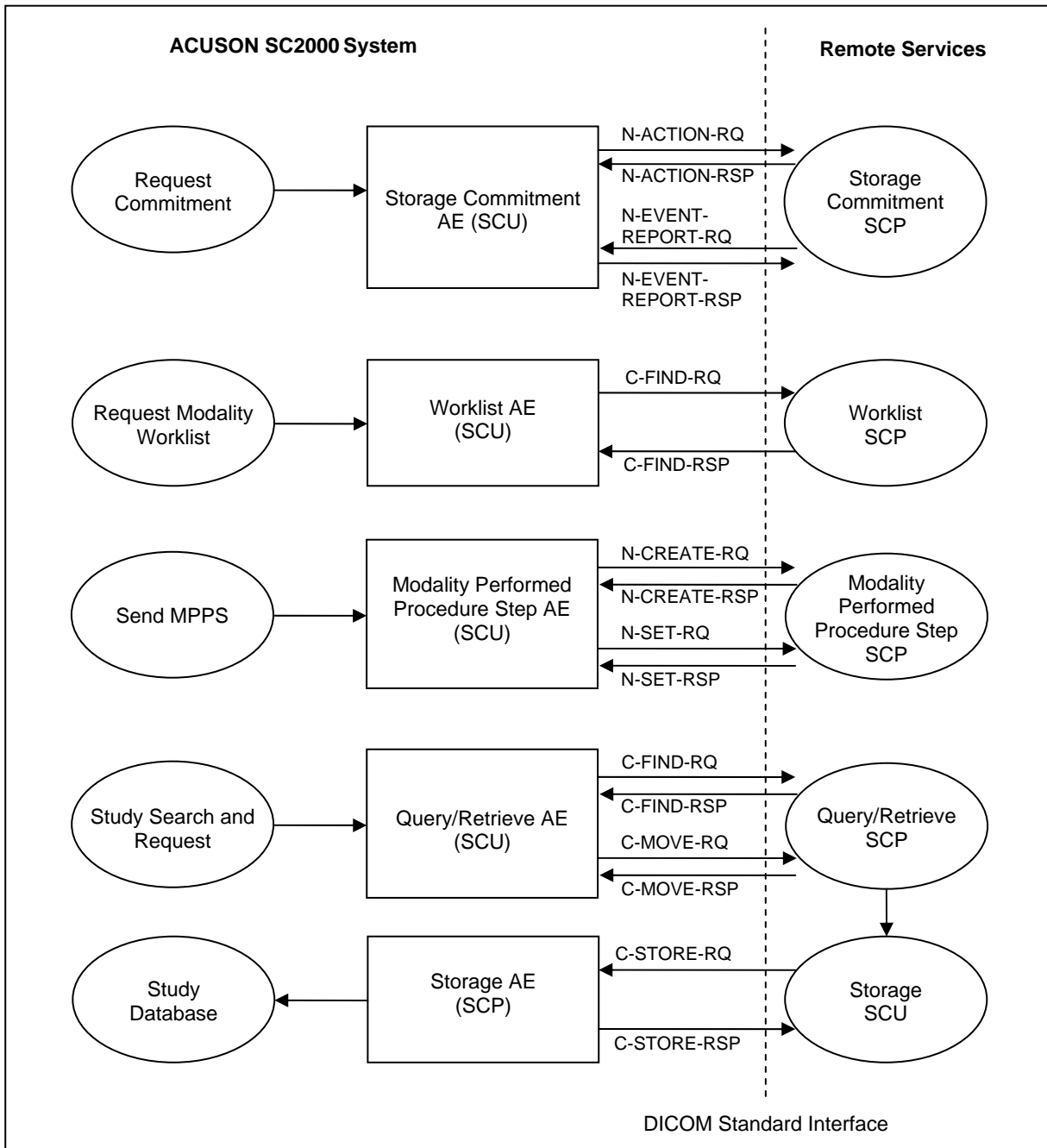


Figure 4-2. Functional Overview (Continued)

4.1.2 Functional Definition of AE's

The SCP components of the SC2000 operate as background server processes. They exist as soon as the system is powered up and wait for association requests. Upon accepting an association with a negotiated Presentation Context they start to receive and process the request described in the following sections.

4.1.2.1 Verification AE

The DICOM verification service can be used for diagnostic purposes. When used as a diagnostic tool, Verification will return the following messages to the user:

- C-Echo discovery result: Succeeded
- C-Echo discover result: Failed

Verification is available for each service configuration accessed through the Network/Printing pages of User Configuration:

- Store Configuration
- Storage Commitment Configuration
- Query Retrieve Configuration
- RIS Server Configuration (for Modality Worklist)

The SC2000 supports the Verification service as a SCP and SCU. As a SCU, Verification is activated when the C-Echo button is selected on a service configuration page.

4.1.2.2 Storage AE

The SC2000 acts as SCU and SCP for the C-STORE DICOM network service.

As an SCU, the SC2000 Storage Application Entity originates associations for transfer of DICOM Ultrasound single frame images, multi-frame images, raw data objects, and Comprehensive Structured Reports to remote Application Entities.

The system supports automatic and manual storage of captured objects. Manual transfers can be initiated through the export dialog on the Data View UI. If configured for automatic transfer, the system can either transfer objects “in progress” or “on study close”:

- The system automatically stores an image as soon as it is captured and saved to the local disk while the study is currently open and in-progress.
- The system automatically stores all the images belonging to the current study as it closes.
- The system automatically stores one or more studies in the background, acquired while in a portable non-networked mode, once it is powered up on the network.

The “in-progress” method distributes the network load over time and can provide image review at the review station in near real-time, provided the server supports this capability.

Note: Even when in-progress” method is configured, the system stores the SR objects only at end of study.

The “on study close” method lets the user store studies more accurately in the server. It is a common practice in Ultrasound to delete some images or modify demographic data before the study is closed.

In the event that the SC2000 is taken off the network as a portable system or when a network failure occurs during a background store, the Storage SCU maintains a queue of failed C-STORE requests. These are periodically retried subsequent to the end of the study. The queue is also retried upon power cycling of the SC2000.

The storage request consists of data describing the composite image objects selected for storage and the destination AET. An association is negotiated with the destination AE and the image data is transferred using the C-STORE DIMSE Service. The transfer status is reported to the initiator of the Storage request.

As an SCP, the SC2000 Application Entity accepts storage requests from configured DICOM nodes and stores received objects into the local database. The C-STORE DIMSE service is used for storing the images.

4.1.2.3 Storage Commitment AE

The SC2000 serves as a SCU for the DICOM Storage Commitment service. Upon successful completion of a storage job, the system uses the N-ACTION DIMSE Service to request storage commitment from a DICOM storage SCP. This can either be the same as the storage destination or storage commitment can be requested from a different server depending on the system configuration.

The user configures Storage Commitment from the Networking/Printing pages of the User Configuration. The SC2000 requests commitment of images and structured reports and, upon successful acknowledgement from the storage server, marks the study on the system hard drive as "Archived" (AD). Storage Commitment Request is always sent in an additional Association.

4.1.2.4 Worklist AE

Patient registration can be automated by using the "Worklist" Real World Activity. Initiating the 'New Patient' function begins the patient data registration process and closes the previous active study. The worklist query runs in the background and the system will attempt to find all scheduled ultrasound patients. If no matches are found, a message will be presented to the user indicating so. If more than one matching patient is found, a list of matching entries will be presented to the user. Each of the fields will be sortable in ascending or descending order.

The user will have the option of selecting a patient study or canceling the operation. Selection of a patient from the list will cause all demographic information for that patient to be loaded in the patient registration screen.

4.1.2.5 Modality Performed Procedure Step AE

The SC2000 Modality Performed Procedure Step (MPPS) uses the DICOM 3.0 MPPS service class SCU to send event transactions that facilitate the transfer of procedure status and billing information from the ultrasound system to the information system. MPPS is triggered at the start of a study and at the end of a study. MPPS is also triggered when a study is restarted.

The MPPS SCU supports both the N-CREATE and N-SET DIMSE Service Elements. A different MPPS server can be configured separately from a Modality Worklist server.

4.1.2.6 Query/Retrieve AE

The query/retrieve service class defines an application-level class of services which facilitates the management of images and patient data against the well-defined information model of DICOM and allows a DICOM AE to retrieve images from a remote DICOM node or to request a remote DICOM AE to initiate a transfer of images to another DICOM AE. The SC2000 DICOM query/retrieve application supports the query/retrieve services as an SCU.

The Query SCU initiates a C-FIND request to the remote SCP and is invoked directly by the user, using the query parameters entered in the Data View UI. The remote SCP returns a list of responses with defined data, which are displayed to the user. The user can decide to start retrieval or to issue another query.

The SC2000 supports

- Study Root Query Model.

As the Move SCU, the system initiates a C-MOVE request to the remote Retrieve SCP. The remote Retrieve SCP in turn starts C-STORE suboperations to the Storage SCP.

4.1.3 Sequencing of Real-World Activities

This section describes the sequencing of Real-World Activities performed by the Application Entities using a UML sequence diagram. Real-World Activities are depicted as vertical bars and arrows show the events exchanged between them.

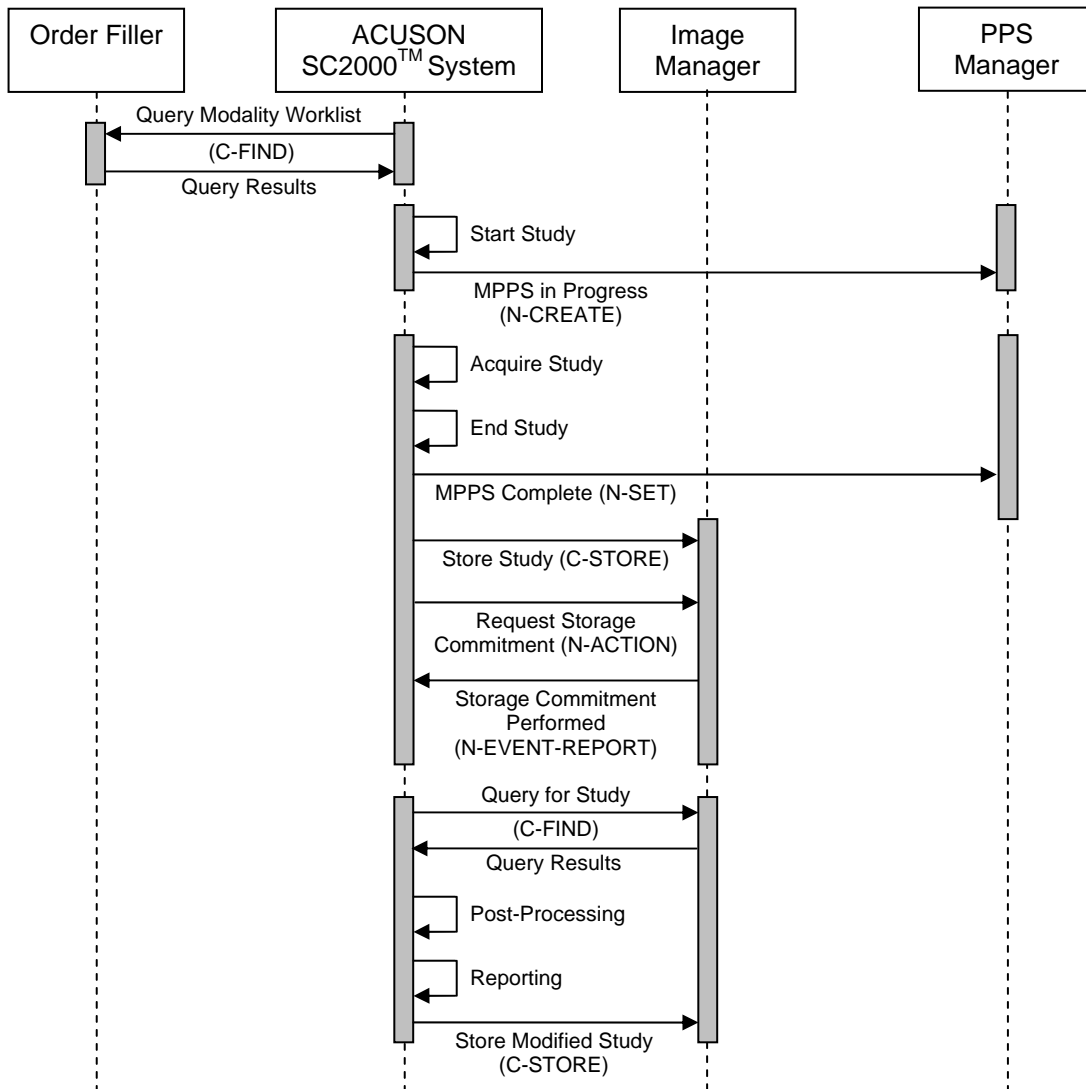


Figure 4-3. Sequence Diagram for Real-World Activities

4.2 AE Specifications

4.2.1 Storage AE

4.2.1.1 SOP Classes

**Table 4-1:
SOP Classes for Storage AE**

SOP Class Name	SOP Class UID	User of Service (SCU)	Provider of Service (SCP)
Supported Storage SOP Classes			
Ultrasound Image Storage	1.2.840.10008.5.1.4.1.1.6.1	Yes	Yes
Ultrasound Multi-frame Image Storage	1.2.840.10008.5.1.4.1.1.3.1	Yes	Yes
Secondary Capture Image Storage	1.2.840.10008.5.1.4.1.1.7	Yes	Yes
Comprehensive SR	1.2.840.10008.5.1.4.1.1.88.33	Yes	Yes
Raw Data Storage	1.2.840.10008.5.1.4.1.1.66	Yes	Yes

4.2.1.2 Association Policies

4.2.1.2.1 General

**Table 4-2:
DICOM Application Context**

Application Context Name	1.2.840.10008.3.1.1.1
---------------------------------	-----------------------

4.2.1.2.2 Number of Associations

**Table 4-3:
Number of Associations as an Association Initiator for Storage AE**

Maximum number of simultaneous associations	10
--	----

**Table 4-4:
Number of Associations as an Association Acceptor for Storage AE**

Maximum number of simultaneous associations	Configurable between 1 and 4, default: 4
--	--

4.2.1.2.3 Asynchronous Nature

The SC2000 supports asynchronous communication (multiple outstanding transactions over a single association). On the SCU side, the Window size proposed is infinite. On the SCP side, any non-infinite maximum size will be accepted.

**Table 4-5:
Asynchronous Nature as an Association Initiator for Storage AE**

Maximum number of outstanding asynchronous transactions	Infinite
--	----------

4.2.1.2.4 Implementation Identifying Information

**Table 4-6:
DICOM Implementation Class and Version for Storage AE**

Implementation Class UID	1.3.12.2.1107.5.99.3.20080101
Implementation Version Name	SIEMENS

4.2.1.3 Association Initiation Policy (Storage SCU)

The SC2000 initiates associations while processing the service operations and internal messages as shown below.

Operation or Real-World Activity	Association for
Send Instance	C-STORE, C-ECHO

4.2.1.3.1 Activity “Send To”

4.2.1.3.1.1 Description and Sequencing of Activities

Storage of a DICOM object to an external entity is triggered by a C-STORE request initiated either automatically by the system or interactively (manually) by the user.

If an association to a remote Application Entity could successfully be established, each image will be transferred one after another via the same open association.

The automatic retry mechanism is configurable. The user can configure the number of retries as well as the time interval between two retries.

Retry is done if:

- a) The network connection has been lost from the SCU perspective. In this case, retry is performed as soon as the network connection is available again.
- b) The partner is not reachable for other reasons (e.g. partner node has broken down). For this case, a (global, configurable) timeout has been implemented after which retry is performed.

4.2.1.3.1.2 Proposed Presentation Contexts

For all supported images (see SOP Classes in Table 4-1: SOP Classes for Storage AE), the following Transfer Syntaxes are supported.

**Table 4-7:
Store Presentation Context**

Abstract Syntax		Transfer Syntax	
Name	UID	Name List	UID List
Ultrasound Image Storage	1.2.840.10008.5.1.4.1.1.6.1	Implicit VR Little Endian	1.2.840.10008.1.2
		Explicit VR Little Endian	1.2.840.10008.1.2.1
		Explicit VR Big Endian	1.2.840.10008.1.2.2
		JPEG Lossless	1.2.840.10008.1.2.4.70
Secondary Capture Image Storage	1.2.840.10008.5.1.4.1.1.7	Implicit VR Little Endian	1.2.840.10008.1.2
		Explicit VR Little Endian	1.2.840.10008.1.2.1
Ultrasound Multi-frame Image Storage (Clips)	1.2.840.10008.5.1.4.1.1.3.1	JPEG Lossy (Baseline)	1.2.840.10008.1.2.4.50
		Implicit VR Little Endian	1.2.840.10008.1.2
		Explicit VR Little Endian	1.2.840.10008.1.2.1
Ultrasound Raw Data Storage (3D volumetric data sets)	1.2.840.10008.5.1.4.1.1.66	Implicit VR Little Endian	1.2.840.10008.1.2
		Explicit VR Little Endian	1.2.840.10008.1.2.1
Comprehensive SR	1.2.840.10008.5.1.4.1.1.88.33	Implicit VR Little Endian	1.2.840.10008.1.2
		Explicit VR Little Endian	1.2.840.10008.1.2.1

4.2.1.3.1.3 Photometric Interpretation

Photometric Interpretation (color mode of the pixel image data) is not a negotiable parameter in DICOM 3.0. The Photometric Interpretation Attribute (0028,0004) is set depending on the transfer syntax and the system configuration.

**Table 4-8:
Photometric Interpretation**

SOP Class		Transfer Syntax		Photometric Interpretation
Name	UID	Name List	UID List	
Ultrasound Image Storage	1.2.840.10008.5.1.4.1.1.6.1	Implicit VR Little Endian	1.2.840.10008.1.2	RGB
		Explicit VR Little Endian	1.2.840.10008.1.2.1	
		JPEG Lossless	1.2.840.10008.1.2.4.70	
Secondary Capture Image Storage	1.2.840.10008.5.1.4.1.1.7	Implicit VR Little Endian	1.2.840.10008.1.2	RGB
		Explicit VR Little Endian	1.2.840.10008.1.2.1	
Ultrasound Multi-frame Image Storage (Clips)	1.2.840.10008.5.1.4.1.1.3.1	JPEG Lossy (Baseline)	1.2.840.10008.1.2.4.50	YBR_FULL_422
		Implicit VR Little Endian	1.2.840.10008.1.2	RGB

4.2.1.3.1.4 SOP Specific Conformance to SOP Classes

The SC2000 will not add or change private attributes, even if case objects are compressed or the image header is updated according to IHE [2] Patient Information Reconciliation.

Refer to section 8.1.1, Created SOP Instances, for a detailed list of attributes.

**Table 4-9:
DICOM Command Response Status Handling Behavior**

Service Status	Further Meaning	Error Code	Behavior
Error	Sending partially or completely failed	Any none null Code	Failure reported to user and storage job is cancelled. (percentage of transferred instances is shown)
Success	Image is successfully stored on file system.	0000	Success reported to user

**Table 4-10:
DICOM Command Communication Failure Behavior**

Exception	Behavior
Timeout	Failure reported to user (Timeout configurable; default 30s). The system retries according to the configured retry parameters.
Association Aborted	Failure reported to user and the storage job is cancelled.

4.2.1.4 Association Acceptance Policy

The SC2000 attempts to accept a new association for

- DIMSE C-STORE

service operations.

Generally, associations are accepted if all of the following conditions are true:

- The "called AET" matches one of the configured Application Entity Titles of the SC2000.
- The "calling AET" is allowed to connect to SC2000. This check can be disabled.
- The maximum number of incoming associations is not reached.
- At least one Proposed Presentation Context is supported.

If a Proposed Presentation Context contains more than one Transfer Syntax, the one in the following priority list is chosen (if applicable for the SOP class):

- 1) Explicit Value Representation Little Endian
- 2) Implicit Value Representation Little Endian
- 3) Explicit Value Representation Big Endian
- 4) JPEG Baseline (Process 1)
- 5) JPEG Extended (Process 2 & 4)
- 6) JPEG Lossless, Non-Hierarchical, First-Order Prediction (Process 14)
- 7) JPEG 2000 Image Compression (Lossless Only)
- 8) JPEG 2000 Image Compression
- 9) RLE Lossless

4.2.1.4.1 Activity “Receive Instances”

4.2.1.4.1.1 Description and Sequencing of Activities

The SC2000 receiving process will accept an association, receive any images transmitted on that association and store the images on disk. It will store some header attributes in the database in order to allow clients to query these attributes.

4.2.1.4.1.2 Accepted Presentation Contexts

1.2.840.10008.1.2.2	Explicit Value Representation Big Endian
1.2.840.10008.1.2.1	Explicit Value Representation Little Endian
1.2.840.10008.1.2	Implicit Value Representation Little Endian: Default Transfer Syntax for DICOM
1.2.840.10008.1.2.4.91	JPEG 2000 Image Compression
1.2.840.10008.1.2.4.90	JPEG 2000 Image Compression (Lossless Only)
1.2.840.10008.1.2.4.50	JPEG Baseline (Process 1): Default Transfer Syntax for Lossy JPEG 8 Bit Image Compression
1.2.840.10008.1.2.4.51	JPEG Extended (Process 2 & 4): Default Transfer Syntax for Lossy JPEG 12 Bit Image Compression (Process 4 only)
1.2.840.10008.1.2.4.70	JPEG Lossless, Non-Hierarchical, First-Order Prediction (Process 14 [Selection Value 1]): Default Transfer Syntax for Lossless JPEG Image Compression
1.2.840.10008.1.2.5	RLE Lossless

4.2.1.4.1.3 SOP Specific Conformance to SOP Classes

In case of a successful C-STORE operation, the image has successfully been written on disk either in Explicit Little Endian format or in the compression format received.

The Storage AE of the SC2000 returns the status “success” when the data is stored to disk and a minimal image header validation has been performed.

The following header attributes must be available and filled:

- Patient Name,
- Study Instance UID,
- Series Instance UID and
- SOP Instance UID

**Table 4-11:
Storage C-STORE Response Status**

Service Status	Further Meaning	Error Code	Reason
Success	Success	0x0000	Image received correctly (success notification is done after receiving, before indexing and storing)

4.2.1.4.1.4 Other SOP Specific Behavior

- If an image is received that is already stored in the database – identified by the SOP Instance UID – the new image will be ignored. The existing instance is not superseded.

- The Patient Quadruplet (Patient's Name, Patient ID, Date of Birth, Patient Sex) is internally used for unique identification. The Patient ID is specified as a "type 2" attribute by DICOM. Therefore the attribute must be in the message but it may be empty. If the Patient ID is missing, it will be generated and inserted to the index by the SC2000 for internal purposes.

4.2.2 Storage Commitment AE

4.2.2.1 SOP Classes

**Table 4-12:
SOP Classes for Storage Commitment AE**

SOP Class Name	SOP Class UID	User of Service (SCU)	Provider of Service (SCP)
Supported Storage Commitment SOP Classes			
Storage Commitment Push Model	1.2.840.10008.1.20.1	Yes	No

4.2.2.2 Association Policies

4.2.2.2.1 General

**Table 4-13:
DICOM Application Context**

Application Context Name	1.2.840.10008.3.1.1.1
---------------------------------	-----------------------

4.2.2.2.2 Number of Associations

**Table 4-14:
Number of Associations as an Association Initiator for
Storage Commitment AE**

Maximum number of simultaneous associations	Unlimited
--	-----------

**Table 4-15:
Number of Associations as an Association Acceptor for
Storage Commitment AE**

Maximum number of simultaneous associations	Configurable between 1 and 4, default: 4
--	--

4.2.2.2.3 Asynchronous Nature

The SC2000 supports asynchronous communication (multiple outstanding transactions over a single association). On the SCU side the Window size proposed is infinite. On the SCP Side any non-infinite maximum size will be accepted.

**Table 4-16:
Asynchronous Nature as an Association Initiator for
Storage Commitment AE**

Maximum number of outstanding asynchronous transactions	Infinite
--	----------

4.2.2.2.4 Implementation Identifying Information

**Table 4-17:
DICOM Implementation Class and Version for
Storage Commitment AE**

Implementation Class UID	1.3.12.2.1107.5.99.3.20080101
Implementation Version Name	SIEMENS

4.2.2.3 Association Initiation Policy (Storage Commitment SCU)

The SC2000 initiates associations while processing the service operations and internal messages as shown below.

Operation or Real-World Activity	Association for
Storage Commitment	N-ACTION N-EVENT-REPORT

4.2.2.3.1 Activity “Send Initial Storage Commitment”

4.2.2.3.1.1 Description and Sequencing of Activities

After Sending Images to the Archive, the SC2000 will initiate a Storage Commitment request if configured. The SC2000 initiates a new association in order to send the N-ACTION-RQ to the SCP.

4.2.2.3.1.2 Proposed Presentation Contexts

**Table 4-18:
Proposed Presentation Contexts for Storage Commitment AE**

Presentation Context Table					
Abstract Syntax		Transfer Syntax		Role	Extended Negotiation
Name	UID	Name List	UID List		
Storage Commitment Push Model	1.2.840.10008.1.20.1	Implicit VR Little Endian Explicit VR Little Endian Explicit VR Big Endian	1.2.840.10008.1.2 1.2.840.10008.1.2.1 1.2.840.10008.1.2.2	SCU	None

There is no extended negotiation as an SCU.

4.2.2.3.1.3 SOP Specific Conformance to SOP Classes

**Table 4-19:
DICOM Command Response Status Handling Behavior**

Service Status	Further Meaning	Error Code	Behavior
Error	No Retry on Failure	Any none null Code	Failure reported to user
Success	Storage Commitment Reply noticed.	0000	Success reported to user

**Table 4-20:
DICOM Command Communication Failure Behavior**

Exception	Behavior
Timeout	Failure reported to user
Association Aborted	Failure reported to user

4.2.2.3.2 Activity “Send Reply to Commitment Requests on separate associations”

4.2.2.3.2.1 Description and Sequencing of Activities

The SC2000 system accepts the N-EVENT-REPORT-RQ on a separate association from the N-ACTION-RQ.

4.2.2.3.2.2 Proposed Presentation Contexts

**Table 4-21:
Proposed Presentation Contexts for Storage Commitment AE**

Presentation Context Table					
Abstract Syntax		Transfer Syntax		Role	Extended Negotiation
Name	UID	Name List	UID List		
Storage Commitment Push Model	1.2.840.10008.1.20.1	Implicit VR Little Endian Explicit VR Little Endian Explicit VR Big Endian	1.2.840.10008.1.2 1.2.840.10008.1.2.1 1.2.840.10008.1.2.2	SCP	None

There is no extended negotiation as an SCU.

4.2.2.3.2.3 SOP Specific Conformance for SOP Classes

**Table 4-22:
DICOM Command Response Status Handling Behavior**

Service Status	Further Meaning	Error Code	Behavior
Error	Storage Commitment Reply ignored.	Any none null Code	Storage Commitment will not be repeated.
Success	Storage Commitment Reply noticed.	0000	Success reported to user.

There is no special failure behavior.

4.2.2.4 Association Acceptance Policy

Storage Commitment AE does not accept Association requests.

4.2.3 Query AE

4.2.3.1 SOP Classes

The SC2000 provides Standard Conformance to the following DICOM V3.0 SOP Classes as SCP/SCU.

**Table 4-23:
SOP Classes for Query AE**

SOP Class Name	SOP Class UID	User of Service (SCU)	Provider of Service (SCP)
Supported Query SOP Classes			
Study Root Query/Retrieve Information Model - FIND	1.2.840.10008.5.1.4.1.2.2.1	Yes	No

4.2.3.2 Association Policies

4.2.3.2.1 General

**Table 4-24:
DICOM Application Context**

Application Context Name	1.2.840.10008.3.1.1.1
---------------------------------	-----------------------

4.2.3.2.2 Number of Associations

**Table 4-25:
Number of Associations as an Association Initiator for Query AE**

Maximum number of simultaneous associations	Unlimited
--	-----------

**Table 4-26:
Number of Associations as an Association Acceptor for Query AE**

Maximum number of simultaneous associations	Configurable between 1 and 4, default: 4
--	--

4.2.3.2.3 Asynchronous Nature

The SC2000 supports asynchronous communication (multiple outstanding transactions over a single association). On the SCU side the Window size proposed is infinite. On the SCP Side any non-infinite maximum size will be accepted.

**Table 4-27:
Asynchronous Nature as an Association Initiator for Query AE**

Maximum number of outstanding asynchronous transactions	Infinite
--	----------

4.2.3.2.4 Implementation Identifying Information

**Table 4-28:
DICOM Implementation Class and Version for Query AE**

Implementation Class UID	1.3.12.2.1107.5.99.3.20080101
Implementation Version Name	SIEMENS

4.2.3.3 Association Initiation Policy (Query SCU)

The SC2000 will initiate new associations for the following operations as an SCU.

Operation or Real-World Activity	Association for
Querying a Remote Node	C-FIND

4.2.3.3.1 Activity “Querying a Remote Node”

4.2.3.3.1.1 Description and Sequencing of Activities

The associated Real-World activity is a C-Find request initiated by the user of the SC2000. The user specifies some attributes the system should use to query its database. If the query user successfully establishes an association to the remote Application Entity, it will send a C-Find request (according to the query model) and will then return the results to the application.

4.2.3.3.1.2 Proposed Presentation Contexts

The SC2000 will propose Presentation Contexts as shown in the following table.

**Table 4-29:
Proposed Presentation Contexts for Query AE**

Presentation Context Table					
Abstract Syntax		Transfer Syntax		Role	Extended Negotiation
Name	UID	Name List	UID List		
Study Root Query/ Retrieve Information Model - FIND	1.2.840.10008.5.1.4.1.2.2.1	Implicit VR Little Endian Explicit VR Big Endian Explicit VR Little Endian	1.2.840.10008.1.2 1.2.840.10008.1.2.2 1.2.840.10008.1.2.1	SCU	No

4.2.3.3.1.3 SOP Specific Conformance to SOP Classes

Refer to section 8.1.1, Created SOP Instances, for a detailed list of attributes.

The SC2000 checks for the following status codes in the Query SCP's C-Find-Response.

**Table 4-30:
DICOM Command Response Status Handling Behavior**

Service Status	Further Meaning	Error Code	Behavior
Error	No Auto Retry on failure	Any none null Code	Failure reported to user
Success	Success logged on the job queue	0000	Success reported to user

**Table 4-31:
DICOM Command Communication Failure Behavior**

Exception	Behavior
Timeout	Failure reported to user
Association Aborted	Failure reported to user

The SC2000 supports the following query levels:

- Study

4.2.3.4 Association Acceptance Policy

Query AE does not accept Association requests.

4.2.4 Retrieve AE

4.2.4.1 SOP Classes

This Application Entity provides Standard Conformance to the following SOP Classes.

**Table 4-32:
SOP Classes for Retrieve AE**

SOP Class Name	SOP Class UID	User of Service (SCU)	Provider of Service (SCP)
Supported Query/Retrieve SOP Classes			
Study Root Query/Retrieve Information Model - MOVE	1.2.840.10008.5.1.4.1.2.2.2	Yes	No

4.2.4.2 Association Policies

4.2.4.2.1 General

**Table 4-33:
DICOM Application Context**

Application Context Name	1.2.840.10008.3.1.1.1
---------------------------------	-----------------------

4.2.4.2.2 Number of Associations

**Table 4-34:
Number of Associations as an Association Initiator for Retrieve AE**

Maximum number of simultaneous associations	Unlimited
--	-----------

**Table 4-35:
Number of Associations as an Association Acceptor for Retrieve AE**

Maximum number of simultaneous associations	Configurable between 1 and 4, default: 4
--	--

4.2.4.2.3 Asynchronous Nature

The SC2000 supports asynchronous communication (multiple outstanding transactions over a single association). On the SCU side the Window size proposed is infinite. On the SCP Side any non-infinite maximum size will be accepted.

**Table 4-36:
Asynchronous Nature as an Association Initiator for Retrieve AE**

Maximum number of outstanding asynchronous transactions	Infinite
--	----------

4.2.4.2.4 Implementation Identifying Information

**Table 4-37:
DICOM Implementation Class and Version for Retrieve AE**

Implementation Class UID	1.3.12.2.1107.5.99.3.20080101
Implementation Version Name	SIEMENS

4.2.4.3 Association Initiation Policy

The SC2000 Retrieve AE sends a C-MOVE-RQ to an SCP node to retrieve images.

4.2.4.3.1 Activity “Move SCU”

4.2.4.3.1.1 Description and Sequencing of Activities

The C-MOVE-RQs are used to retrieve the referenced instances. The Retrieve AE supports the query model Study Root.

4.2.4.3.1.2 Accepted Presentation Contexts

**Table 4-38:
Proposed Presentation Contexts for Retrieve AE and Activity MOVE SCU**

Presentation Context Table					
Abstract Syntax		Transfer Syntax		Role	Extended Negotiation
Name	UID	Name List	UID List		
Study Root Query/Retrieve Model – MOVE	1.2.840.10008.5.1.4.1.2.2.2	Implicit VR Little Endian Explicit VR Little Endian Explicit VR Big Endian	1.2.840.10008.1.2 1.2.840.10008.1.2.1 1.2.840.10008.1.2.2	SCU	No

There is no extended negotiation as an SCU.

4.2.4.3.1.3 SOP Specific Conformance to Move SCU Classes

At association establishment time, the C-MOVE presentation context shall be negotiated. When the C-MOVE-RQ is processed, the Move Destination attribute (receiver of images) is ignored. However, the Move Destination AE must conform to the DICOM conventions (value representation AE).

**Table 4-39:
DICOM Command Response Status Handling Behavior**

Service Status	Further Meaning	Error Code	Behavior
Error	No Auto retry on failure	Any none null Code	Failure reported to user (percentage of transferred instances is shown)
Success	Success logged on the job queue	0000	Success reported to user

**Table 4-40:
DICOM Command Communication Failure Behavior**

Exception	Behavior
Timeout	Failure reported to user
Association Aborted	Failure reported to user

4.2.4.4 Association Acceptance Policy

Retrieve AE does not accept Association requests.

4.2.5 Worklist AE

4.2.5.1 SOP Classes

This Application Entity provides Standard Conformance to the SOP Classes listed in the table below.

**Table 4-41:
SOP Classes for Worklist AE**

SOP Class Name	SOP Class UID	User of Service (SCU)	Provider of Service (SCP)
Supported Worklist SOP Classes			
Modality Worklist Information Model – FIND	1.2.840.10008.5.1.4.31	Yes	No

4.2.5.2 Association Policies

4.2.5.2.1 General

**Table 4-42:
DICOM Application Context**

Application Context Name	1.2.840.10008.3.1.1.1
---------------------------------	-----------------------

4.2.5.2.2 Number of Associations

**Table 4-43:
Number of Associations as an Association Initiator for Worklist AE**

Maximum number of simultaneous associations	Unlimited
--	-----------

**Table 4-44:
Number of Associations as an Association Acceptor for Worklist AE**

Maximum number of simultaneous associations	Configurable between 1 and 4, default: 4
--	--

4.2.5.2.3 Asynchronous Nature

The SC2000 supports asynchronous communication (multiple outstanding transactions over a single association). On the SCU side the Window size proposed is infinite. On the SCP side, any non-infinite maximum size will be accepted.

**Table 4-45:
Asynchronous Nature as an Association Initiator for Worklist AE**

Maximum number of outstanding asynchronous transactions	Infinite
--	----------

4.2.5.2.4 Implementation Identifying Information

**Table 4-46:
DICOM Implementation Class and Version for Worklist AE**

Implementation Class UID	1.3.12.2.1107.5.99.3.20080101
Implementation Version Name	SIEMENS

4.2.5.3 Association Initiation Policy

The SC2000 initiates associations while processing the service operations and internal messages as shown below.

Operation or Real-World Activity	Association for
Query for Modality Worklist	C-FIND

4.2.5.3.1 Activity “Querying a Remote Node”

4.2.5.3.1.1 Description and Sequencing of Activities

The associated Real-World activity is a C-Find request initiated by the user of the system. The user specifies some attributes which the remote Application should use to query its database. If the query user successfully establishes an association to the remote Application Entity, it will send a C-Find request (according to the query model) and will then return the results to the application.

4.2.5.3.1.2 Proposed Presentation Contexts

**Table 4-47:
Proposed Presentation Contexts for Worklist AE**

Presentation Context Table					
Abstract Syntax		Transfer Syntax		Role	Extended Negotiation
Name	UID	Name List	UID List		
Modality Worklist-FIND	1.2.840.10008.5.1.4.31	Implicit VR Little Endian	1.2.840.10008.1.2	SCU	No
		Explicit VR Big Endian	1.2.840.10008.1.2.2		
		Explicit VR Little Endian	1.2.840.10008.1.2.1		

There is no extended negotiation as an SCU.

4.2.5.3.1.3 SOP Specific Conformance to Modality Worklist Service SOP Class

The following table provides the list of user configurable matching attributes requested in the Broad Query of the Modality Worklist (C-FIND).

The broad query C-FIND-RQ is populated from the RIS Server configuration parameters. The broad query is always an automatic query, which is initiated by the system at intervals defined by the user, in the RIS Server configuration.

**Table 4-48:
Modality Worklist Matching Key Attributes (Broad Query)**

RIS Server Configuration	Attribute Name	Tag	Query Value
	Scheduled Procedure Step Sequence	(0040,0100)	
Scheduled Station	>Scheduled Station AE Title	(0040,0001)	Is equal to the "Scheduled Station" setting in the RIS Server advanced configuration menu.
SPS Start Date Interval	>Scheduled Procedure Step Start Date	(0040,0002)	Today's date or user specified date range
Modality	>Modality	(0008,0060)	Is equal to the "Modality" setting in the RIS Server advanced configuration menu.

The following table provides the list of user configurable matching attributes requested in the Patient based Query of the Modality Worklist (C-FIND).

The patient based query C-FIND-RQ is populated from the query parameters specified for a particular RIS server on SC2000 Data View. The patient based query is interactively (manually) initiated by the user, after selecting the RIS server from the Data view "look in" drop down field and populating at least one of the Worklist Data View fields defined in the table below.

**Table 4-49:
Modality Worklist Matching Key Attributes (Patient Based Query)**

Worklist Data View Field	Attribute Name	Tag	Query Value
Requested Procedure ID	Requested Procedure ID	(0040,1001)	As entered in the "Worklist Data View" UI - Requested Procedure ID.
Accession Number	Accession Number	(0008,0050)	As entered in the "Worklist Data View" UI - Accession Number.
Patient's Name	Patient's Name	(0010,0010)	As entered in the "Worklist Data View" UI - Patient's Name.
Patient ID	Patient ID	(0010,0020)	As entered in the "Worklist Data View" UI - Patient ID.
Scheduled Start Date	Scheduled Procedure Step Sequence >Scheduled Procedure Step Start Date	(0040,0100) >(0040,0002)	As entered in the "Worklist Data View" UI - Scheduled Start Date.
Modality	Scheduled Procedure Step Sequence >Modality	(0040,0100) >(0008,0060)	As entered in the "Worklist Data View" UI - "Modality".
Station AE Title	Scheduled Procedure Step Sequence >Scheduled Station AE Title	(0040,0100) >(0040,0001)	As entered in the "Worklist Data View" UI - "Scheduled Station".

Return Key Attributes used from the Worklist C_FIND_RSP

The ACUSON SC2000 system DICOM worklist SCU supports worklist queries with return key attributes of all types. The following table describes the return keys that the SCU supports or are needed to display the results on the Worklist view. Most attributes can be shown in the User Interface; Patient Registration or Data View. Attributes displayed on the Data View are configurable.

Note: SC2000 system will not display any of the query results, if even one of the results does not conform to the "Return Key Type" column according to the DICOM standard, in the table below. This means that the returning worklist results need to have all the Type 1 and Type 1C populated, for the SC2000 to be able to display the returned results. The returning Type 2 and 2C tags could remain empty, but need to be present. Type 3 tags are not mandatory.

**Table 4-50:
Modality Worklist C_FIND_RSP Return Key Attributes**

Attribute Name	Tag	Return Key Type	Displayable on UI
SOP Common			
Specific Character Set	(0008,0005)	1C	No

Attribute Name	Tag	Return Key Type	Displayable on UI
Scheduled Procedure Step			
Scheduled Procedure Step Sequence	(0040,0100)	1	
>Scheduled Station AE Title	(0040,0001)	1	Yes
>Scheduled Procedure Step Start Date	(0040,0002)	1	Yes
>Scheduled Procedure Step Start Time	(0040,0003)	1	Yes
>Scheduled Procedure Step End Date	(0040,0004)	3	Yes
>Scheduled Procedure Step End Time	(0040,0005)	3	No
>Modality	(0008,0060)	1	Yes
>Scheduled Performing Physician's Name	(0040,0006)	2	Yes
>Scheduled Procedure Step Description	(0040,0007)	1C	Yes
>Scheduled Station Name	(0040,0010)	2	Yes
>Scheduled Procedure Step Location	(0040,0011)	2	Yes
>Scheduled Protocol Code Sequence	(0040,0008)	1C	Yes
>>Code Value	(0008,0100)	1C	Yes
>>Coding Scheme Designator	(0008,0102)	1C	Yes
>>Coding Scheme Version	(0008,0103)	3	Yes
>>Code Meaning	(0008,0104)	3	Yes
>Pre-Medication	(0040,0012)	2C	Yes
>Scheduled Procedure Step ID	(0040,0009)	1	Yes
>Requested Contrast Agent	(0032,1070)	2C	Yes
>Scheduled Procedure Step Status	(0040,0020)	3	No
>Comments on the Scheduled Procedure Step	(0040,0400)	3	Yes
Requested Procedure			
Requested Procedure ID	(0040,1001)	1	Yes
Requested Procedure Description	(0032,1060)	1C	Yes
Requested Procedure Code Sequence	(0032,1064)	1C	
>Code Value	(0008,0100)	1C	Yes
>Code Scheme Designator	(0008,0102)	1C	Yes
>Code Scheme Version	(0008,0103)	3	Yes
>Code Meaning	(0008,0104)	3	Yes
Study Instance UID	(0020,000D)	1	No
Referenced Study Sequence	(0008,1110)	2	
>Referenced SOP Class UID	(0008,1150)	1C	No
>Referenced SOP Instance UID	(0008,1155)	1C	No
Requested Procedure Priority	(0040,1003)	2	Yes
Patient Transport Arrangements	(0040,1004)	2	Yes
Reason for the Requested Procedure	(0040,1002)	3	Yes
Confidentiality Code	(0040,1008)	3	Yes

Attribute Name	Tag	Return Key Type	Displayable on UI
Reporting Priority	(0040,1009)	3	No
Names of Intended Recipients of Results	(0040,1010)	3	Yes
Requested Procedure Comments	(0040,1400)	3	Yes
Requested Procedure Location	(0040,1005)	3	Yes
Imaging Service Request			
Accession Number	(0008,0050)	2	Yes
Requesting Physician	(0032,1032)	2	Yes
Referring Physician's Name	(0008,0090)	2	Yes
Reason for the Imaging Service Request	(0040,2001)	3	No
Imaging Service Request Comments	(0040,2400)	3	Yes
Requesting Service	(0032,1033)	3	Yes
Issuing Date of Imaging Service Request	(0040,2004)	3	No
Issuing Time of Imaging Service Request	(0040,2005)	3	No
Placer Order Number / Imaging Service Request	(0040,2016)	3	No
Filler Order Number / Imaging Service Request	(0040,2017)	3	No
Order entered by...	(0040,2008)	3	Yes
Order Enterer's Location	(0040,2009)	3	Yes
Order Callback Phone Number	(0040,2010)	3	No
Visit Identification			
Admission ID	(0038,0010)	2	Yes
Issuer of Admission ID	(0038,0011)	3	Yes
Visit Status			
Current Patient Location	(0038,0300)	2	Yes
Visit Relationship			
Referenced Patient Sequence	(0008,1120)	2	
>Referenced SOP Class UID	(0008,1150)	2	No
>Referenced SOP Instance UID	(0008,1155)	2	No
Visit Admission			
Institution Name	(0008,0080)	3	Yes
Admitting Diagnoses Description	(0008,1080)	3	Yes
Patient Identification			
Patient's Name	(0010,0010)	1	Yes
Patient ID	(0010,0020)	1	Yes
Other Patient IDs	(0010,1000)	3	Yes
Other Patient Names	(0010,1001)	3	Yes

Attribute Name	Tag	Return Key Type	Displayable on UI
Patient Demographic			
Patients Birth Date	(0010,0030)	2	Yes
Patient's Sex	(0010,0040)	2	Yes
Patient's Primary Language Code Sequence	(0010,0101)	3	
>Code Value	(0008,0100)	1	Yes
>Coding Scheme Designator	(0008,0102)	1	Yes
>Code Meaning	(0008,0104)	1	Yes
>Patient's Primary Language Code Modifier Sequence	(0010,0102)	3	Yes
>>Code Value	(0008,0100)	1	Yes
>>Coding Scheme Designator	(0008,0102)	1	Yes
>>Code Meaning	(0008,0104)	1	Yes
Patient's Size	(0010,1020)	3	Yes
Patient's Weight	(0010,1030)	2	Yes
Confidentiality constraint on patient data	(0040,3001)	2	Yes
Patient's Address	(0010,1040)	3	No
Military Rank	(0010,1080)	3	Yes
Ethnic Group	(0010,2160)	3	Yes
Patient Comments	(0010,4000)	3	Yes
Patient Medical			
Patient State	(0038,0500)	2	Yes
Pregnancy Status	(0010,21C0)	2	Yes
Medical Alerts	(0010,2000)	2	Yes
Contrast Allergies	(0010,2110)	2	Yes
Special Needs	(0038,0050)	2	Yes
Smoking Status	(0010,21A0)	3	Yes
Last Menstrual Date	(0010,21D0)	3	Yes
Additional Patient History	(0010,21B0)	3	Yes

4.2.5.3.1.4 SOP Specific Conformance to SOP Classes

Refer to section 8.1.1, Created SOP Instances, for a detailed list of attributes.

**Table 4-51:
DICOM Command Response Status Handling Behavior**

Service Status	Further Meaning	Error Code	Behavior
Error	Error not logged to the job queue	Any none null Code	No Failure reported to user
Success	Success not logged to the job queue	0000	Success reported to user

**Table 4-52:
DICOM Command Communication Failure Behavior**

Exception	Behavior
Timeout	Failure not reported to user
Association Aborted	Failure not reported to user

4.2.5.4 Association Acceptance Policy

Worklist AE does not accept Association requests.

4.2.6 MPPS AE

4.2.6.1 SOP Classes

This Application Entity provides Standard Conformance to the SOP Classes listed in the table below.

**Table 4-53:
SOP Classes for MPPS**

SOP Class Name	SOP Class UID	User of Service (SCU)	Provider of Service (SCP)
Supported MPPS SOP Classes			
MPPS (N-Create, N-Set)	1.2.840.10008.3.1.2.3.3	Yes	No

4.2.6.2 Association Policies

4.2.6.2.1 General

**Table 4-54:
DICOM Application Context**

Application Context Name	1.2.840.10008.3.1.1.1
---------------------------------	-----------------------

4.2.6.2.2 Number of Associations

**Table 4-55:
Number of Associations as an Association Initiator for MPPS AE**

Maximum number of simultaneous associations	Unlimited
--	-----------

4.2.6.2.3 Asynchronous Nature

The SC2000 supports asynchronous communication (multiple outstanding transactions over a single association). On the SCU side, the Window size proposed is infinite.

4.2.6.2.4 Implementation Identifying Information

**Table 4-56:
DICOM Implementation Class and Version for MPPS AE**

Implementation Class UID	1.3.12.2.1107.5.99.3.20080101
Implementation Version Name	SIEMENS

4.2.6.3 Association Initiation Policy

SC2000 initiates associations while processing the service operations and internal messages as shown below.

Operation or Real-World Activity	Association for
DIMSE N-CREATE, N-SET (forwarding MPPS)	N-CREATE, N-SET

4.2.6.3.1 Activity “Send MPPS”

4.2.6.3.1.1 Description and Sequencing of Activities

The SC2000 supports the DICOM Modality Performed Procedure Step Service as an SCU. The Modality Performed Procedure Step SCU informs the Performed Procedure Step SCP about the procedure performed at the modality using the N-CREATE and N-SET DIMSE service.

Immediately after a new patient, study, or scheduled procedure is registered (via Patient Registration), the SC2000 automatically performs an MPPS N-CREATE-RQ operation with a status of IN-PROGRESS for the newly created Performed Procedure Step. When the current patient procedure ends (either with an End Exam, or new Patient / Study / Procedure), the SC2000 automatically performs an MPPS N-SET-RQ final operation with a status of COMPLETED. The user may also manually complete or discontinue the current Performed Procedure Step. An MPPS N-SET-RQ final operation is performed with the appropriate status of COMPLETED or DISCONTINUED.

4.2.6.3.1.2 Proposed Presentation Contexts

**Table 4-57:
Proposed Presentation Contexts for MPPS AE**

Presentation Context Table					
Abstract Syntax		Transfer Syntax		Role	Extended Negotiation
Name	UID	Name List	UID List		
Modality Performed Procedure Step	1.2.840.10008.3.1.2.3.3	Implicit VR Little Endian	1.2.840.10008.1.2	SCU	None
		Explicit VR Little Endian	1.2.840.10008.1.2.1		
		Explicit VR Big Endian	1.2.840.10008.1.2.2		

There is no extended negotiation as an SCU.

4.2.6.3.1.3 SOP Specific Conformance to SOP classes

All Attributes listed in DICOM PS3.4 in Table F8.2-1 are potentially supported the SC2000. They will be part of the MPPS Message if set by the Application triggering the Service.

Refer to section 8.1.1, Created SOP Instances, for a detailed list of attributes.

**Table 4-58:
DICOM Command Response Status Handling Behavior**

Service Status	Further Meaning	Error Code	Behavior
Failure	No Auto retry of failed jobs	Any none null Code	Failure not reported to user
Success	Success not logged to the job queue	0000	Success reported to user

**Table 4-59:
DICOM Command Communication Failure Behavior**

Exception	Behavior
Timeout	Failure reported to user
Association Aborted	Failure reported to user

4.2.6.4 Association Acceptance Policy

MPPS AE does not accept Association requests.

4.3 Network Interfaces

4.3.1 Physical Network Interface

The SC2000 is independent from the physical medium over which TCP/IP executes; it inherits this from the OS system upon which it executes.

4.3.2 Additional Protocols

None.

4.3.3 IPv4 and IPv6 Support

IPv4 supported, IPv6 not supported.

4.4 Configuration

DICOM and networking parameters can be configured for both the local SC2000 and remote DICOM Service Class Providers through the User Configuration – Networking/Printing pages.

4.4.1 Local Host - TCP/IP and General

The SC2000's local network parameters are configurable. The following parameters can be configured for the SC2000:

- Host Name
- IP address
- Network IP mask
- Router/Gateway IP addresses
- DICOM Storage and HIS/RIS SCU Application Entity Titles
- Printers

4.4.1.1 DICOM Storage Configuration

Remote DICOM Storage and Storage Commitment Service Class Providers are configured through the Store Configuration or Storage Commitment Configuration of the User Configuration – Networking/Printing pages. The following parameters can be configured for each device:

- Host name
- IP address
- AET - Application Entity Title
- Port number
- Proposed transfer syntaxes

4.4.1.2 DICOM HIS/RIS Configuration

Remote DICOM Worklist and Modality Performed Procedure Step Service Class Providers are configured through the RIS Server Configuration of the User Configuration – Networking/Printing pages. The following parameters can be configured for each Worklist/MPPS server:

- Host name
- IP address
- AET - Application Entity Title
- Port number
- Query waiting time (in seconds)
- Maximum number of matching results
- Automatic Worklist query interval (in minutes)
- Modality
- Scheduled Procedure Step Date
- Station Name

5 MEDIA INTERCHANGE

5.1 Implementation Models

5.1.1 Application Data Flow Diagram

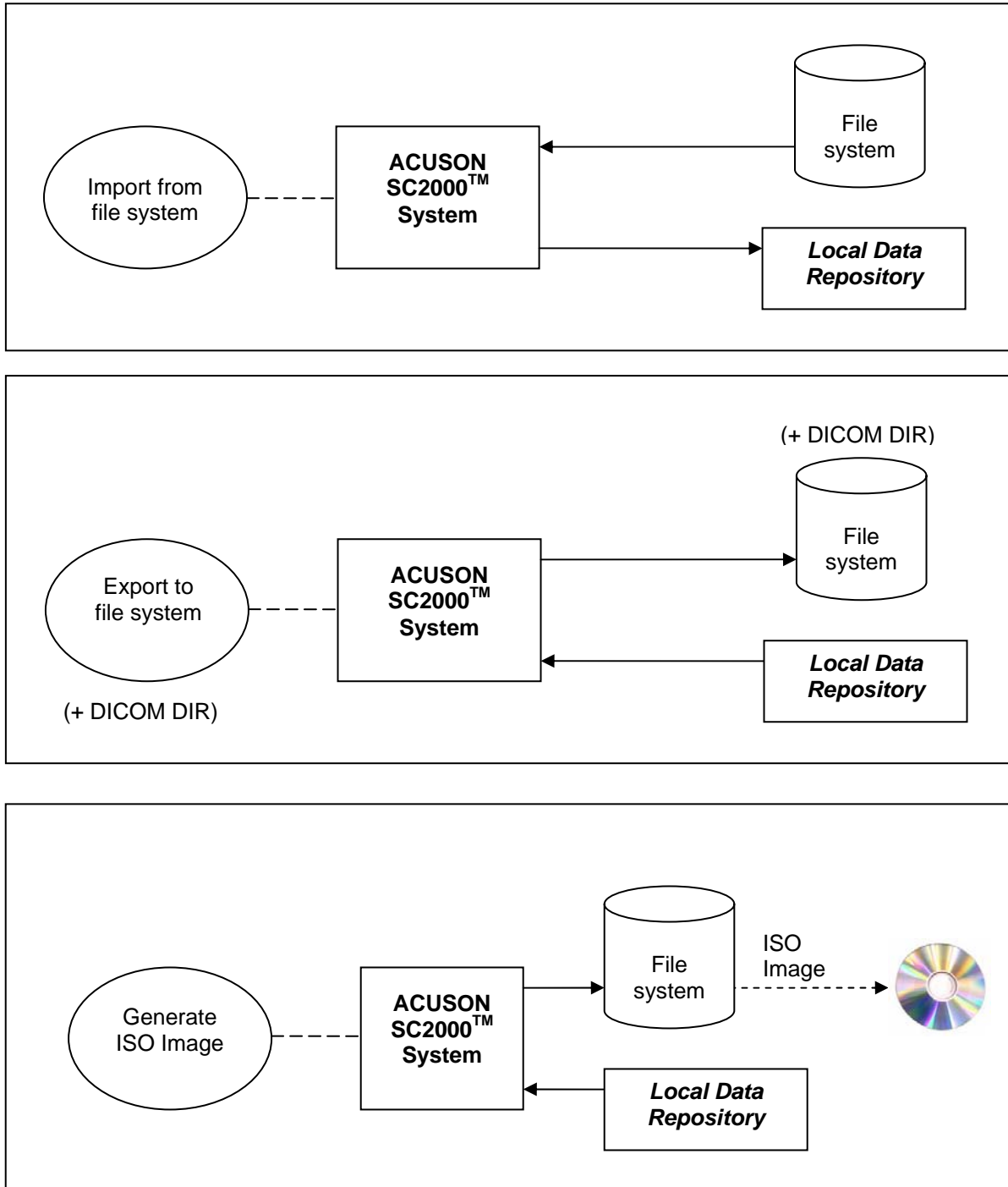


Figure 5-1. Media Application Data Flow Diagram

The SC2000 provides the functionality to Import or Export DICOM Instances to and from the File System. During exportation, a DICOMDIR may also be generated. A complete ISO Image ready-to-burn can be generated. All SOP Classes defined in Table 4-1: SOP Classes for Storage AE are supported for the Import/Export functionality.

5.1.2 Functional definitions of AEs

The SC2000 is capable of

- creating a new File-set in the File System (Export to ...)
- importing SOP Instances from the File System onto local storage

5.1.3 Sequencing of Real-World Activities

Not applicable.

5.1.4 File Meta Information for Implementation Class and Version

**Table 5-1:
Implementation Class/Version Name – Media Interchange**

File Meta Information Version	0x0001
Implementation Class UID	1.3.12.2.1107.5.99.3.20080101
Implementation Version Name	SIEMENS

5.2 AE Specifications

5.2.1 Media Storage AE Specification

The SC2000 system Media Storage AE provides conformance to the following DICOM SOP Classes as an FSC. The following specifications apply to the AE.

When configuring an uncompressed Transfer Syntax, the STD-US and STD-GEN application profile classes will be extended to store instances of the following SOP classes in compressed format.

**Table 5-2:
Application Profiles, Activities, and Roles for DICOM Exchange Media**

Application Profiles Supported	Real World Activity	Role
STD-GEN-CDR STD-US-SC-MF-CDR STD-US-ID-MF-CDR	Create CD-R	FSC/FSU

5.2.2 Implementation Identifying Information

**Table 5-3:
DICOM Implementation Class and Version for Media Storage AE**

Implementation Class UID	1.3.12.2.1107.5.9.20080101
Implementation Version Name	SIEMENS

5.3 Media Storage Application Profile

5.3.1 DICOMDIR Keys

The DICOMDIR file will contain the following attributes for the levels Patient - Study - Series - Image (valid for all Application profiles described in this section).

**Table 5-4:
DICOMDIR Keys**

Attribute Name	Tag	Type	Notes
File-Set Identification			
File-set ID	(0004,1130)	2	Volume label of media
Directory Information			
Offset of the First Directory Record of the Root Directory Entry	(0004,1200)	1	
Offset of the Last Directory Record of the Root Directory Entity	(0004,1202)	1	
File-set Consistency Flag	(0004,1212)	1	0000H
Directory Record Sequence	(0004,1220)	2	
> Offset of the Next Directory Record	(0004,1400)	1C	
> Record In-use flag	(0004,1410)	1C	FFFFH
> Offset of Referenced Lower-Level Directory Entity	(0004,1420)	1C	
> Directory Record Type	(0004,1430)	1C	PATIENT, STUDY, SERIES, IMAGE, SR DOCUMENT, RAW DATA
> Referenced File ID	(0004,1500)	1C	contains the filename on media for the Directory Records of Type IMAGE, SR DOCUMENT, RAW DATA
> Referenced SOP Class UID in File	(0004,1510)	1C	for the Directory Records of Type IMAGE, SR DOCUMENT, RAW DATA
> Referenced SOP Instance UID in File	(0004,1511)	1C	for the Directory Records of Type IMAGE, SR DOCUMENT, RAW DATA
> Referenced Transfer Syntax UID in File	(0004,1512)	1C	for the Directory Records of Type IMAGE, SR DOCUMENT, RAW DATA
> Record Selection Keys	see below		

Attribute Name	Tag	Type	Notes
Patient Keys			Directory Record Type PATIENT
Specific Character Set	(0008,0005)	1C	
Patient's Name	(0010,0010)	2	
Patient ID	(0010,0020)	1	
Date Of Birth	(0010,0030)	3	
Patient's Sex	(0010,0040)	3	
Study Keys			Directory Record Type STUDY
Specific Character Set	(0008,0005)	1C	
Study Date	(0008,0020)	1	
Study Time	(0008,0030)	1	
Accession Number	(0008,0050)	2	
Study Description	(0008,1030)	2	
Study Instance UID	(0020,000D)	1C	
Study ID	(0020,0010)	1	Will be generated automatically, if not present. Value = "-"
Series Keys			Directory Record Type SERIES
Specific Character Set	(0008,0005)	1C	
Series Date	(0008,0021)	3	
Series Time	(0008,0031)	3	
Modality	(0008,0060)	1	
Institution name	(0008,0080)	3	
Institution Address	(0008,0081)	3	
Performing Physician's Name	(0008,1050)	3	
Series Instance UID	(0020,000E)	1	
Series Number	(0020,0011)	1	
Image Keys			Directory Record Type IMAGE
Specific Character Set	(0008,0005)	1C	
Image Type	(0008,0008)	3	
SOP Class UID	(0008,0016)	3	
SOP Instance UID	(0008,0018)	3	
Content Date	(0008,0023)	3	
Content Time	(0008,0033)	3	
Acquisition Number	(0020,0012)	3	
Instance Number	(0020,0013)	1	
Rows	(0028,0010)	3	
Columns	(0028,0011)	3	
Image Position Patient	(0020,0032)	3	
Image Orientation Patient	(0020,0037)	3	
Frame of Reference UID	(0020,0052)	1C	
Pixel Spacing	(0028,0030)	3	
Calibration Image	(0050,0004)	3	

Attribute Name	Tag	Type	Notes
SR Document Keys			Directory Record Type SR Document
Specific Character Set	(0008,0005)	1C	
Content Date	(0008,0023)	1	
Content Time	(0008,0033)	1	
Instance Number	(0020,0013)	1	
Verification DateTime	(0040,A030)	1C	
Concept Name Code Sequence	(0040,A043)	1	
>Include Code Sequence Macro			
Completion Flag	(0040,A491)	1	
Verification Flag	(0040,A493)	1	
Raw Data Keys			Directory Record Type RAW DATA
Specific Character Set	(0008,0005)	1C	
Image Type	(0008,0008)	3	
SOP Class UID	(0008,0016)	3	
SOP Instance UID	(0008,0018)	3	
Content Date	(0008,0023)	3	
Content Time	(0008,0033)	3	
Acquisition Number	(0020,0012)	3	
Instance Number	(0020,0013)	1	

5.3.2 Compliance to STD-GEN-CDR

The SC2000 conforms to the STD-GEN-CDR profile. The following SOP Classes will be supported as an FSC.

**Table 5-5:
STD-GEN-CDR Supported SOP Classes**

IOD	SOP Class UID	Transfer Syntax and UID	FSC	FSR	FSU
Secondary Capture Image Storage	1.2.840.10008.5.1.4.1.1.7	Explicit VR Little Endian	Yes	No	No

5.3.3 Compliance to STD-US-SC-MF-CDR

For media conforming to the STD-US-SC-MF-CDR profiles the following SOP Classes and transfer syntaxes will be supported as an FSC.

**Table 5-6:
STD-US-SC-MF-CDR Supported SOP Classes**

IOD	SOP Class UID	Transfer Syntax and UID	FSC	FSR	FSU
Ultrasound Multi-frame Image Storage (Clips)	1.2.840.10008.5.1.4.1.1.3.1	JPEG Lossy (Baseline) 1.2.840.10008.1.2.4.50	Yes	No	No

The following Photometric Interpretations are supported by FSC:

- RGB - Ultrasound Image Storage only
- YBR_FULL_422 - Ultrasound Multi-frame Image Storage (Clips) only

5.3.4 Compliance to STD-US-ID-MF-CDR

For media conforming to the STD-US-ID-MF-CDR profiles the following SOP Classes and transfer syntaxes will be supported as an FSC.

**Table 5-7:
STD-US-MF-CDR Supported SOP Classes**

IOD	SOP Class UID	Transfer Syntax and UID	FSC	FSR	FSU
Raw Data Storage	1.2.840.10008.5.1.4.1.1.66	Explicit VR Little Endian 1.2.840.10008.1.2.1	Yes	No	No

6 SUPPORT OF CHARACTER SETS

6.1 Character Sets for ACUSON SC2000 System

The ACUSON SC2000 system supports the ISO 8859 Latin 1 (ISO-IR 100) character set.

7 SECURITY

7.1 Security Profiles

- PS 3.15 Annex F: Network Address Management Profiles: DHCP Client, DNS Client supported
- PS 3.15 Annex G: Time Synchronization Profiles supported

7.2 Association Level Security

It is possible to configure whether the DICOM Server will only answer to known AETs or to any AET.

7.3 Application Level Security

- For configuration and maintenance, the Service Technician must login with a separate password.

8 ANNEXES

8.1 IOD Contents

8.1.1 Created SOP Instances

8.1.1.1 US Image IOD Attributes

Module	Attribute	Tag	Type	Notes
Patient	Patient's Name	(0010,0010)	2	From MWL or user input
	Patient ID	(0010,0020)	2	From MWL or user input
	Patient's Birth Date	(0010,0030)	2	From MWL or user input
	Patient's Sex	(0010,0040)	2	From MWL or user input
General Study	Study Instance UID	(0020,000D)	1	From MWL or created
	Study Date	(0008,0020)	2	Created
	Study Time	(0008,0030)	2	Created
	Referring Physician's Name	(0008,0090)	2	From MWL or user input
	Study ID	(0020,0010)	2	Created
	Accession Number	(0008,0050)	2	From MWL or user input
	Study Description	(0008,1030)	3	From MWL (requested procedure description) or user entered
	Referenced Study Sequence	(0008,1110)	3	From MWL or zero length
	>Referenced SOP Class UID	(0008,1150)	1C	
	>Referenced SOP Instance UID	(0008,1155)	1C	
Patient Study	Patient's Age	(0010,1010)	3	From MWL or user input
	Patient's Size	(0010,1020)	3	From MWL or user input
	Patient's Weight	(0010,1030)	3	From MWL or user input
General Series	Modality	(0008,0060)	1	Set to US
	Series Instance UID	(0020,000E)	1	Created
	Series Number	(0020,0011)	2	Set to 1...n
	Protocol Name	(0018,1030)	3	
	Operators' Name	(0008,1070)	3	User input
	Referenced Performed Procedure Step Sequence	(0008,1111)	3	Created (if MPPS is supported)
	>Referenced SOP Class UID	(0008,1150)	1C	1.2.840.10008.3.1.2.3.3 (MPPS SOP Class)
	>Referenced SOP Instance UID	(0008,1155)	1C	MPPS SOP Instance UID
	Request Attributes Sequence	(0040,0275)	3	From MWL or zero length
	>Requested Procedure ID	(0040,1001)	1C	
	>Requested Procedure Description	(0032,1060)	3	
	>Scheduled Procedure Step ID	(0040,0009)	1C	
	>Scheduled Protocol Code Sequence	(0040,0008)	3	
	>>Include 'Code Sequence Macro'			
Performed Protocol Code Sequence	(0040,0260)	3		
General Equipment	Manufacturer	(0008,0070)	2	Set to "SIEMENS"
	Institution Name	(0008,0080)	3	From MWL or user selected

Module	Attribute	Tag	Type	Notes
	Station Name	(0008,1010)	3	Set to the computer's host name
	Institutional Department Name	(0008,1040)	3	
	Manufacturer's Model Name	(0008,1090)	3	Set to "ACUSON SC2000"
	Device Serial Number	(0018,1000)	3	Set to system serial number
	Software Versions	(0018,1020)	3	Set to "VA30A"
General Image	Instance Number	(0020,0013)	2	1...n
	Patient Orientation	(0020,0020)	2C	Set to zero length
	Content Date	(0008,0023)	2C	Created
	Content Time	(0008,0033)	2C	Created
	Acquisition Date	(0008,0022)	3	Created
	Acquisition Time	(0008,0032)	3	Created
	Derivation Description	(0008,2111)	3	
Image Pixel	Rows	(0028,0010)	1	Set to 768
	Columns	(0028,0011)	1	Set to 1024
	Pixel Data	(7FE0,0010)	1	
US Region Calibration	Sequence of Ultrasound Regions	(0018,6011)	1	One created for each US region displayed
	>Region Location Min x0	(0018,6018)	1	
	>Region Location Min y0	(0018,601A)	1	
	>Region Location Max x1	(0018,601C)	1	
	>Region Location Max y1	(0018,601E)	1	
	>Physical Units X Direction	(0018,6024)	1	
	>Physical Units Y Direction	(0018,6026)	1	
	>Physical Delta X	(0018,602C)	1	
	>Physical Delta Y	(0018,602E)	1	
	>Reference Pixel x0	(0018,6020)	3	
	>Reference Pixel y0	(0018,6022)	3	
	>Ref. Pixel Physical Value X	(0018,6028)	3	
	>Ref. Pixel Physical Value Y	(0018,602A)	3	
	>Region Spatial Format	(0018,6012)	1	
	>Region Data Type	(0018,6014)	1	
	>Region Flags	(0018,6016)	1	
>Doppler Correction Angle	(0018,6034)	3	Doppler regions only	
US Image	Samples Per Pixel	(0028,0002)	1	Set to 3.
	Photometric Interpretation	(0028,0004)	1	See Table 4-8
	Bits Allocated	(0028,0100)	1	Set to 8
	Bits Stored	(0028,0101)	1	Set to 8
	High Bit	(0028,0102)	1	Set to 7
	Planar Configuration	(0028,0006)	1C	Set to 0 (color-by-pixel)
	Pixel Representation	(0028,0103)	1	Set to 0 (unsigned integer)
	Image Type	(0008,0008)	2	Normally DERIVED\PRIMARY\INTRACA RDIAC\<nnnn>
	Lossy Image Compression	(0028,2110)	1C	= 01 if compressed
	R Wave Time Vector	(0018,6060)	3	
	Heart Rate	(0018,1088)	3	
	Transducer Data	(0018,5010)	3	Probe name

Module	Attribute	Tag	Type	Notes
	Transducer Type	(0018,6031)	3	
	Focus Depth	(0018,5012)	3	
	Mechanical Index	(0018,5022)	3	
SOP Common	SOP Class UID	(0008,0016)	1	1.2.840.10008.5.1.4.1.1.6.1
	SOP Instance UID	(0008,0018)	1	Created
	Specific Character Set	(0008,0005)	1C	From MWL or set to ISO_IR 100
	Instance Creation Date	(0008,0012)	3	Created
	Instance Creation Time	(0008,0013)	3	Created
Standard Extended SOP Class – Standard and Private Attributes				
General Study	Performed Procedure Step ID	(0040,0253)	3	Created (if MPPS is supported)
	Performed Procedure Step Start Date	(0040,0244)	3	
	Performed Procedure Step Start Time	(0040,0245)	3	
	Performed Procedure Step Description	(0040,0254)	3	
Image Pixel	Pixel Spacing	(0028,0030)	1C	
Private	Private Creator Data Element (Implementor)	(0009,0010)	3	Set to "ACUSON:1.2.840.113680.1.0:0910"
	Custom Field 1	(0009,1002)	3	Values entered by user on Patient Registration Field : Custom Field 1
	Custom Field 2	(0009,1003)	3	Values entered by user on Patient Registration Field : Custom Field 2
Private	Private Creator Data Element (Implementor)	(0019,0010)	3	Set to "SIEMENS Ultrasound SC2000"
	B-mode Tint Index (used for routing the image to B&W or Color printer)	(0019,102D)	3	VR is Unsigned Short (US)
	Doppler Tint Index (used for routing the image to B&W or Color printer)	(0019,1072)	3	VR is Unsigned Short (US)
	M-mode Tint Index (used for routing the image to B&W or Color printer)	(0019,1088)	3	VR is Unsigned Short (US)
Private	Private Creator Data Element (Implementor)	(0119,0010)	3	Set to "SIEMENS Ultrasound SC2000"
	Volume Rate	(0119,1013)	3	
Private	Private Creator Data Element (Implementor)	(0149,0010)	3	Set to "SIEMENS Ultrasound SC2000"
	Vector of BROI points used for auto-measurements	(0149,1001)	3	VR is Floating Point Double (FD)
	Min/Max Location: Start/End timestamps of strip stream in Spectral Doppler or M-mode. Used for Spectral Doppler auto-measurements.	(0149,1002)	3	VR is Floating Point Double (FD)
	Visible R-waves: Timestamps of visible R-waves in strip modes. Used for Spectral Doppler auto-measurements.	(0149,1003)	3	VR is Floating Point Double (FD)

8.1.1.2 US Multi-frame Image IOD Attributes

Module	Attribute	Tag	Type	Notes
Patient	Patient's Name	(0010,0010)	2	From MWL or user input
	Patient ID	(0010,0020)	2	From MWL or user input
	Patient's Birth Date	(0010,0030)	2	From MWL or user input
	Patient's Sex	(0010,0040)	2	From MWL or user input
General Study	Study Instance UID	(0020,000D)	1	From MWL or created
	Study Date	(0008,0020)	2	Created
	Study Time	(0008,0030)	2	Created
	Referring Physician's Name	(0008,0090)	2	From MWL or user input
	Study ID	(0020,0010)	2	Created
	Accession Number	(0008,0050)	2	From MWL or user input
	Study Description	(0008,1030)	3	From MWL (requested procedure description) or user entered
	Referenced Study Sequence	(0008,1110)	3	From MWL or zero length
	>Referenced SOP Class UID	(0008,1150)	1C	
	>Referenced SOP Instance UID	(0008,1155)	1C	
Patient Study	Patient's Age	(0010,1010)	3	From MWL or user input
	Patient's Size	(0010,1020)	3	From MWL or user input
	Patient's Weight	(0010,1030)	3	From MWL or user input
General Series	Modality	(0008,0060)	1	Set to US
	Series Instance UID	(0020,000E)	1	Created
	Series Number	(0020,0011)	2	Set to 1...n
	Protocol Name	(0018,1030)	3	
	Operators' Name	(0008,1070)	3	User input
	Referenced Performed Procedure Step Sequence	(0008,1111)	3	Created (if MPPS is supported)
	>Referenced SOP Class UID	(0008,1150)	1C	1.2.840.10008.3.1.2.3.3 (MPPS SOP Class)
	>Referenced SOP Instance UID	(0008,1155)	1C	MPPS SOP Instance UID
	Request Attributes Sequence	(0040,0275)	3	From MWL or zero length
	>Requested Procedure ID	(0040,1001)	1C	
	>Requested Procedure Description	(0032,1060)	3	
	>Scheduled Procedure Step ID	(0040,0009)	1C	
	>Scheduled Protocol Code Sequence	(0040,0008)	3	
	>>Include 'Code Sequence Macro'			
	Performed Protocol Code Sequence	(0040,0260)	3	
>Include 'Code Sequence Macro'				
General Equipment	Manufacturer	(0008,0070)	2	Set to "SIEMENS"
	Institution Name	(0008,0080)	3	From MWL or user selected
	Station Name	(0008,1010)	3	Set to the computer's host name
	Institutional Department Name	(0008,1040)	3	
	Manufacturer's Model Name	(0008,1090)	3	Set to "ACUSON SC2000"
	Device Serial Number	(0018,1000)	3	Set to system serial number
	Software Versions	(0018,1020)	3	Set to "VA30A"

Module	Attribute	Tag	Type	Notes
General Image	Instance Number	(0020,0013)	2	1...n
	Patient Orientation	(0020,0020)	2C	Set to zero length
	Content Date	(0008,0023)	2C	Created
	Content Time	(0008,0033)	2C	Created
	Acquisition Date	(0008,0022)	3	Created
	Acquisition Time	(0008,0032)	3	Created
	Source Image Sequence	(0008,2112)	3	
	>Referenced SOP Class UID	(0008,1150)	1C	
	>Referenced SOP Instance UID	(0008,1155)	1C	
	Lossy Image Compression Ratio	(0028,2112)	3	Only used with JPEG Lossy compression
	Lossy Image Compression Method	(0028,2114)	3	
Image Pixel	Rows	(0028,0010)	1	Set to 768
	Columns	(0028,0011)	1	Set to 1024
	Pixel Data	(7FE0,0010)	1	
Cine	Frame Time Vector	(0018,1065)	1C	1 to Number of Frames
Multi-frame	Number of Frames	(0028,0008)	1	
US Region Calibration	Sequence of Ultrasound Regions	(0018,6011)	1	One created for each US region displayed
	>Region Location Min x0	(0018,6018)	1	
	>Region Location Min y0	(0018,601A)	1	
	>Region Location Max x1	(0018,601C)	1	
	>Region Location Max y1	(0018,601E)	1	
	>Physical Units X Direction	(0018,6024)	1	
	>Physical Units Y Direction	(0018,6026)	1	
	>Physical Delta X	(0018,602C)	1	
	>Physical Delta Y	(0018,602E)	1	
	>Reference Pixel x0	(0018,6020)	3	
	>Reference Pixel y0	(0018,6022)	3	
	>Ref. Pixel Physical Value X	(0018,6028)	3	
	>Ref. Pixel Physical Value Y	(0018,602A)	3	
	>Region Spatial Format	(0018,6012)	1	
	>Region Data Type	(0018,6014)	1	
>Region Flags	(0018,6016)	1		
US Image	Samples Per Pixel	(0028,0002)	1	Set to 3 Set to 1 if RGB to MONOCHROME2 is Configured for remote destination
	Photometric Interpretation	(0028,0004)	1	See Table 4-8
	Bits Allocated	(0028,0100)	1	Set to 8
	Bits Stored	(0028,0101)	1	Set to 8
	High Bit	(0028,0102)	1	Set to 7
	Planar Configuration	(0028,0006)	1C	Set to 0 (color-by-pixel)
	Pixel Representation	(0028,0103)	1	Set to 0 (unsigned integer)
Frame Increment Pointer	(0028,0009)	1C	Sequencing by Frame Time Vector (0018,1065)	

Module	Attribute	Tag	Type	Notes
	Image Type	(0008,0008)	2	Normally DERIVED\PRIMARY\INTRACARDIAC<nnnn>
	Lossy Image Compression	(0028,2110)	1C	Set to 01
	Number of Stages	(0008,2124)	2C	
	Number of Views in Stage	(0008,212A)	2C	
	R Wave Time Vector	(0018,6060)	3	
	Stage Name	(0008,2120)	3	
	Stage Number	(0008,2122)	3	
	View Name	(0008,2127)	3	
	View Number	(0008,2128)	3	
	Heart Rate	(0018,1088)	3	
	Transducer Data	(0018,5010)	3	Probe name
	Transducer Type	(0018,6031)	3	
	Focus Depth	(0018,5012)	3	
	Mechanical Index	(0018,5022)	3	
SOP Common	SOP Class UID	(0008,0016)	1	1.2.840.10008.5.1.4.1.1.3.1
	SOP Instance UID	(0008,0018)	1	Created
	Specific Character Set	(0008,0005)	1C	From MWL or set to ISO_IR 100
	Instance Creation Date	(0008,0012)	3	Created
	Instance Creation Time	(0008,0013)	3	Created
Standard Extended SOP Class - Standard and Private Attributes				
General Study	Performed Procedure Step ID	(0040,0253)	3	Created (if MPPS is supported)
	Performed Procedure Step Start Date	(0040,0244)	3	
	Performed Procedure Step Start Time	(0040,0245)	3	
	Performed Procedure Step Description	(0040,0254)	3	
Image Pixel	Pixel Spacing	(0028,0030)	1C	
Waveform	Waveform Sequence	(5400,0100)	3	
	>Acquisition DateTime	(0008,002A)	1	
	>Trigger Time Offset	(0018,1069)	1C	
	>Waveform Originality	(003A,0004)	1	ORIGINAL
	>Number of Waveform Channels	(003A,0005)	1	1
	>Number of Waveform Samples	(003A,0010)	1	
	>Sampling Frequency	(003A,001A)	1	
	>Channel Definition Sequence	(003A,0200)	1	
	>>Channel Source Sequence	(003A,0208)	1	
	>>>Include 'Code Sequence Macro'			
	>>Channel Sensitivity	(003A,0210)	1C	
	>>Channel Sensitivity Units Sequence	(003A,0211)	1C	
	>>>Include 'Code Sequence Macro'			
	>>Waveform Bits Stored	(003A,021A)	1	
	>Waveform Bits Allocated	(5400,1004)	1	
>Waveform Sample Interpretation	(5400,1006)	1		
>Waveform Data	(5400,1010)	1		

Module	Attribute	Tag	Type	Notes
Cardiac Synchronization	Per-frame Functional Groups Sequence	(5200,9230)	3	
	>Cardiac Synchronization Sequence	(0018,9118)	1	
	>>Frame Reference DateTime	(0018,9151)	1C	
	>>Nominal Cardiac Trigger Delay Time	(0020,9153)	1	
Private	Private Creator Data Element (Implementor)	(0009,0010)	3	Set to "ACUSON:1.2.840.113680.1.0:0 910"
	Custom Field 1	(0009,1002)	3	Values entered by user on Patient Registration Field : Custom Field 1
	Custom Field 2	(0009,1003)	3	Values entered by user on Patient Registration Field : Custom Field 2
Private	Private Creator Data Element (Implementor)	(0119,0010)	3	Set to "SIEMENS Ultrasound SC2000"
	Stage Timer Time	(0119,1011)	3	
	Stop Watch Time	(0119,1012)	3	
	Volume Rate	(0119,1013)	3	
Private	Private Creator Data Element (Implementor)	(0139,0010)	3	Set to "SIEMENS Ultrasound SC2000"
	Physio Capture ROI	(0139,1001)	3	Indicates whether ECG waveform was within Capture ROI during Stress Echo protocol when Capture ROI was enabled.
Private	Private Creator Data Element (Implementor)	(0149,0010)	3	Set to "SIEMENS Ultrasound SC2000"
	Vector of BROI points used for auto-measurements	(0149,1001)	3	VR is Floating Point Double (FD)

8.1.1.3 Secondary Capture Image IOD Attributes

Module	Attribute	Tag	Type	Notes
Patient	Patient's Name	(0010,0010)	2	From MWL or user input
	Patient ID	(0010,0020)	2	From MWL or user input
	Patient's Birth Date	(0010,0030)	2	From MWL or user input
	Patient's Sex	(0010,0040)	2	From MWL or user input
General Study	Study Instance UID	(0020,000D)	1	From MWL or created
	Study Date	(0008,0020)	2	Created
	Study Time	(0008,0030)	2	Created
	Referring Physician's Name	(0008,0090)	2	From MWL or user input
	Study ID	(0020,0010)	2	Created
	Accession Number	(0008,0050)	2	From MWL or user input
	Study Description	(0008,1030)	3	From MWL (requested procedure description) or user entered
	Referenced Study Sequence	(0008,1110)	3	From MWL or zero length
>Referenced SOP Class UID	(0008,1150)	1C		

Module	Attribute	Tag	Type	Notes
	>Referenced SOP Instance UID	(0008,1155)	1C	
Patient Study	Patient's Age	(0010,1010)	3	From MWL or user input
	Patient's Size	(0010,1020)	3	From MWL or user input
	Patient's Weight	(0010,1030)	3	From MWL or user input
General Series	Modality	(0008,0060)	3	Set to US
	Series Instance UID	(0020,000E)	1	Created
	Series Number	(0020,0011)	2	Set to 1...n
	Protocol Name	(0018,1030)	3	
	Operators' Name	(0008,1070)	3	User input
	Referenced Performed Procedure Step Sequence	(0008,1111)	3	Created (if MPPS is supported)
	>Referenced SOP Class UID	(0008,1150)	1C	1.2.840.10008.3.1.2.3.3 (MPPS SOP Class)
	>Referenced SOP Instance UID	(0008,1155)	1C	MPPS SOP Instance UID
	Request Attributes Sequence	(0040,0275)	3	From MWL or zero length
	>Requested Procedure ID	(0040,1001)	1C	
	>Requested Procedure Description	(0032,1060)	3	
>Scheduled Procedure Step ID	(0040,0009)	1C		
>Scheduled Protocol Code Sequence	(0040,0008)	3		
>>Include 'Code Sequence Macro'		1C		
General Equipment	Manufacturer	(0008,0070)	2	Set to "SIEMENS"
	Institution Name	(0008,0080)	3	From MWL or user selected
	Station Name	(0008,1010)	3	Set to the computer's host name
	Institutional Department Name	(0008,1040)	3	
	Manufacturer's Model Name	(0008,1090)	3	Set to "ACUSON SC2000"
	Device Serial Number	(0018,1000)	3	Set to system serial number
	Software Versions	(0018,1020)	3	Set to "VA30A"
SC Equipment	Conversion Type	(0008,0064)	1	Set to WSD
General Image	Instance Number	(0020,0013)	2	1...n
	Patient Orientation	(0020,0020)	2C	Set to zero length
	Content Date	(0008,0023)	2C	Created
	Content Time	(0008,0033)	2C	Created
	Acquisition Date	(0008,0022)	3	Created
	Acquisition Time	(0008,0032)	3	Created
	Derivation Description	(0008,2111)	3	
Image Pixel	Samples Per Pixel	(0028,0002)	1	Set to 3
	Photometric Interpretation	(0028,0004)	1	See Table 4-8
	Rows	(0028,0010)	1	Set to 1050
	Columns	(0028,0011)	1	Set to 1680
	Bits Allocated	(0028,0100)	1	Set to 8
	Bits Stored	(0028,0101)	1	Set to 8
	High Bit	(0028,0102)	1	Set to 7
	Pixel Representation	(0028,0103)	1	Set to 0 (unsigned integer)
	Pixel Data	(7FE0,0010)	1C	

Module	Attribute	Tag	Type	Notes
	Planar Configuration	(0028,0006)	1C	Set to 0 (color-by-pixel)
SOP Common	SOP Class UID	(0008,0016)	1	1.2.840.10008.5.1.4.1.1.7
	SOP Instance UID	(0008,0018)	1	Created
	Specific Character Set	(0008,0005)	1C	From MWL or set to ISO_IR 100
	Instance Creation Date	(0008,0012)	3	Created
	Instance Creation Time	(0008,0013)	3	Created
Standard Extended SOP Class - Standard and Private Attributes				
General Study	Performed Procedure Step ID	(0040,0253)	3	Created (if MPPS is supported)
	Performed Procedure Step Start Date	(0040,0244)	3	
	Performed Procedure Step Start Time	(0040,0245)	3	
	Performed Procedure Step Description	(0040,0254)	3	
Private	Private Creator Data Element (Implementor)	(0009,0010)	3	Set to "ACUSON:1.2.840.113680.1.0:0910"
	Custom Field 1	(0009,1002)	3	Values entered by user on Patient Registration Field : Custom Field 1
	Custom Field 2	(0009,1003)	3	Values entered by user on Patient Registration Field : Custom Field 2

8.1.1.4 Comprehensive SR IOD Attributes

Module Name	Attribute	Tag	Type	Notes
Patient	Patient's Name	(0010,0010)	2	From MWL or user input
	Patient ID	(0010,0020)	2	From MWL or user input
	Patient's Birth Date	(0010,0030)	2	From MWL or user input
	Patient's Sex	(0010,0040)	2	From MWL or user input
	Patient Comments	(0010,4000)	3	
General Study	Study Instance UID	(0020,000D)	1	From MWL or created
	Study Date	(0008,0020)	2	Created
	Study Time	(0008,0030)	2	Created
	Referring Physician's Name	(0008,0090)	2	From MWL or user input
	Study ID	(0020,0010)	2	Created
	Accession Number	(0008,0050)	2	From MWL or user input
	Study Description	(0008,1030)	3	From MWL (requested procedure description) or user entered
	Referenced Study Sequence	(0008,1110)	3	From MWL or zero length
	>Referenced SOP Class UID	(0008,1150)	1C	
>Referenced SOP Instance UID	(0008,1155)	1C		
Patient Study	Patient's Age	(0010,1010)	3	From MWL or user input
	Patient's Size	(0010,1020)	3	From MWL or user input
	Patient's Weight	(0010,1030)	3	From MWL or user input
General Equipment	Manufacturer	(0008,0070)	2	Set to "SIEMENS"
	Institution Name	(0008,0080)	3	From MWL or user selected

Module Name	Attribute	Tag	Type	Notes	
	Station Name	(0008,1010)	3	Set to the computer's host name	
	Institutional Department Name	(0008,1040)	3		
	Manufacturer's Model Name	(0008,1090)	3	Set to "ACUSON SC2000"	
	Device Serial Number	(0018,1000)	3	Set to system serial number	
	Software Versions	(0018,1020)	3	Set to "VA30A"	
SR Document Series	Modality	(0008,0060)	1	Defined term "SR" used	
	Series Instance UID	(0020,000E)	1	Uniquely generated by the SC2000	
	Series Number	(0020,0011)	1	Internally generated; incremented for each new exam within a study	
	Reference Performed Procedure Step Sequence	(0008,1111)	2		
	>Referenced SOP Class UID	(0008,1150)	1C		
	>Reference SOP Instance UID	(0008,1155)	1C		
SR Document General	Instance Number	(0020,0013)	1	Internally generated; incremented for each new SR document within a study	
	Completion Flag	(0040,A491)	1	Defined Term "PARTIAL" used	
	Verification Flag	(0040,A493)	1	Defined Term "UNVERIFIED" used	
	Content Date	(0008,0023)	1	Created	
	Content Time	(0008,0033)	1	Created	
	Referenced Request Sequence	(0040,A370)	1C	From MWL if available	
	>Study Instance UID	(0020,000D)	1	Taken from the Study Instance UID in the General Study Module	
	>Referenced Study Sequence	(0008,1110)	2		
	>>Referenced SOP Class UID	(0008,1150)	1C		
	>>Reference SOP Instance UID	(0008,1155)	1C		
	>Accession Number	(0008,0050)	2	From MWL or user input	
	>Placer Order Number/Imaging Service Request	(0040,2016)	2	From MWL if available	
	>Filler Order Number/Imaging Service Request	(0040,2017)	2	From MWL if available	
	>Requested Procedure ID	(0040,1001)	2	From MWL if available	
	>Requested Procedure Description	(0032,1060)	2	From MWL if available	
	>Requested Procedure Code Sequence	(0032,1064)	2	From MWL if available	
	>>Include 'Code Sequence Macro'				
	Performed Procedure Code Sequence	(0040,A372)	2		
	>>Include 'Code Sequence Macro'				
	SR Document Content	Value Type	(0040,A040)	1	CONTAINER
Concept Name Code Sequence		(0040,A043)	1C		
>Code Value		(0008,0100)	1	Set to "125200" for Adult Echocardiography Procedure Report or "125100" for Vascular Ultrasound Procedure Report	
>Coding Scheme Designator		(0008,0102)	1	Set to "DCM"	
>Code Meaning		(0008,0104)	1	Set to "Adult Echocardiography Procedure Report" or "Vascular Ultrasound Procedure Report"	

Module Name	Attribute	Tag	Type	Notes
	Continuity of Content	(0040,A050)	1	SEPARATE
	Content Template Sequence	(0040,A504)	1C	
	>Mapping Resource	(0008,0105)	1	Set to "DCMR"
	>Template Identifier	(0040,DB00)	1	Set to "5200" for Adult Echocardiography Procedure Report or "5100" for Vascular Ultrasound Procedure Report
	Content Sequence	(0040,A730)	1C	See Appendix for content of "Adult Echocardiography Procedure Report" or "Vascular Ultrasound Procedure Report"
SOP Common	SOP Class UID	(0008,0016)	1	1.2.840.10008.5.1.4.1.1.88.33
	SOP Instance UID	(0008,0018)	1	Created
	Specific Character Set	(0008,0005)	1C	From MWL or set to ISO_IR 100
Standard Extended SOP Class - Standard and Private Attributes				
SR Document Series	Operators' Name	(0008,1070)	3	User input
	Performed Procedure Step ID	(0040,0253)	3	
	Performed Procedure Step Start Date	(0040,0244)	3	
	Performed Procedure Step Start Time	(0040,0245)	3	
	Performed Procedure Step Description	(0040,0254)	3	
SR Document General	Requesting Physician	(0032,1032)	3	From MWL if available
	Requested Procedure ID	(0040,1001)	2	From MWL if available
	Requested Procedure Description	(0032,1060)	2	From MWL if available
	Referenced Request Sequence			
	>Requesting Physician	(0032,1032)	3	From MWL if available
	>Performed Procedure Code Sequence	(0040,A372)	2	
>>Include 'Code Sequence Macro'				
Private	Private Creator Data Element (Implementor)	(0009,0010)	3	Set to "ACUSON:1.2.840.113680.1.0:0910"
	Custom Field 1	(0009,1002)	3	Values entered by user on Patient Registration Field : Custom Field 1
	Custom Field 2	(0009,1003)	3	Values entered by user on Patient Registration Field : Custom Field 2
	Indications	(0009, 1004)	3	Values entered by user on patient registration field: Indications
Private	Private Creator Data Element (Implementor)	(0021,0010)	3	Set to "syngoDynamics_Reporting"
	Private Creator Data Element	(0021,10AD)	3	Byte stream
Private	Private Creator Data Element (Implementor)	(0029,0010)	3	Set to "SIEMENS CSA REPORT"
	syngo Report Type	(0029,1008)	3	Set to "US_ADULT_ECHO" or "US_VASCULAR"
	syngo Report Version	(0029,1009)	3	Set to "1.8" for US_ADULT_ECHO or "1.1" for US_VASCULAR

Module Name	Attribute	Tag	Type	Notes
Private	Private Creator Data Element (Implementor)	(0077,0010)	3	Set to "SIEMENS SYNGO EVIDENCE DOCUMENT DATA"
	Evidence Document Template Name	(0077,1010)	3	Set to "SiemensUS_AdultEchoReport" or "SiemensUS_VascularReport"
	Evidence Document Template Version	(0077,1011)	3	Set to "1.8" for SiemensUS_AdultEchoReport or "1.1" for SiemensUS_VascularReport
	Private Creator Data Element	(0077,1020)	3	Byte stream
	Private Creator Data Element	(0077,1021)	3	Byte stream
	Framework Version	(0077,1030)	3	Set to "0.1"
	Private Creator Data Element	(0077,1040)	3	Byte stream

8.1.1.5 Raw Data IOD Attributes

Module	Attribute	Tag	Type	Notes
Patient	Patient's Name	(0010,0010)	2	From MWL or user input
	Patient ID	(0010,0020)	2	From MWL or user input
	Patient's Birth Date	(0010,0030)	2	From MWL or user input
	Patient's Sex	(0010,0040)	2	From MWL or user input
General Study	Study Instance UID	(0020,000D)	1	From MWL or created
	Study Date	(0008,0020)	2	Created
	Study Time	(0008,0030)	2	Created
	Referring Physician's Name	(0008,0090)	2	From MWL or user input
	Study ID	(0020,0010)	2	Created
	Accession Number	(0008,0050)	2	From MWL or user input
	Study Description	(0008,1030)	3	From MWL (requested procedure description) or user entered
	Referenced Study Sequence	(0008,1110)	3	From MWL or zero length
	>Referenced SOP Class UID	(0008,1150)	1C	
>Referenced SOP Instance UID	(0008,1155)	1C		
Patient Study	Patient's Age	(0010,1010)	3	From MWL or user input
	Patient's Size	(0010,1020)	3	From MWL or user input
	Patient's Weight	(0010,1030)	3	From MWL or user input
General Series	Modality	(0008,0060)	1	Set to US
	Series Instance UID	(0020,000E)	1	Created
	Series Number	(0020,0011)	2	Set to 1...n
	Protocol Name	(0018,1030)	3	
	Operators' Name	(0008,1070)	3	User input
	Referenced Performed Procedure Step Sequence	(0008,1111)	3	Created (if MPPS is supported)
	>Referenced SOP Class UID	(0008,1150)	1C	1.2.840.10008.3.1.2.3.3 (MPPS SOP Class)
	>Referenced SOP Instance UID	(0008,1155)	1C	MPPS SOP Instance UID
	Request Attributes Sequence	(0040,0275)	3	From MWL or zero length

Module	Attribute	Tag	Type	Notes
	>Requested Procedure ID	(0040,1001)	1C	
	>Requested Procedure Description	(0032,1060)	3	
	>Scheduled Procedure Step ID	(0040,0009)	1C	
	>Scheduled Protocol Code Sequence	(0040,0008)	3	
	>>Include 'Code Sequence Macro'			
General Equipment	Manufacturer	(0008,0070)	2	Set to "SIEMENS"
	Institution Name	(0008,0080)	3	From MWL or user selected
	Station Name	(0008,1010)	3	Set to the computer's host name
	Institutional Department Name	(0008,1040)	3	
	Manufacturer's Model Name	(0008,1090)	3	Set to "ACUSON SC2000"
	Device Serial Number	(0018,1000)	3	Set to system serial number
	Software Versions	(0018,1020)	3	Set to "VA30A"
Acquisition Context	Acquisition Context Sequence	(0040,0555)	2	Zero length
Raw Data	Instance Number	(0020,0013)	2	A number that identifies the image, system generated, should be sequential in acquisition order
	Content Date	(0008, 0023)	1	Date when creation of this object started
	Content Time	(0008, 0033)	1	Time when creation of this object started
	Acquisition DateTime	(0008,002A)	3	Date and time when acquisition started.
	Creator-Version UID	(0008,9123)	1	Unique identification for the equipment and version of the software that has created this object
	Source Image Sequence	(0008,2112)	1C	Image object that was used to derive this object. Required if Acoustic Data Sequence (0019,1002) is not present. This mechanism will be used to store updated bookmarks without including the complete pixel data.
	>Referenced SOP Class UID	(0008,1050)	1	SOP Class UID for Raw Data IOD
	>Referenced SOP Instance UID	(0008,1155)	1	SOP Instance UI of the Raw Data object that was used to derive this object
	Referenced Image Sequence	(0008,1140)	3	Reference to the 2D Image representing this view
	>Referenced SOP Class UID	(0008,1050)	1	SOP Class UID for the DICOM Ultrasound Image Storage SOP Class or the DICOM Ultrasound Multi-Frame Image Storage SOP Class
	>Referenced SOP Instance UID	(0008,1155)	1	SOP Instance UI of the referenced image
		Private Creator Data Element (Implementor)	(0119,0010)	1

Module	Attribute	Tag	Type	Notes
Raw Data	Common Acoustic Meta Information	(0119,1001)	1C	Control information describing the acoustic data, which is common to all frames. Required if Source Image Sequence is not present
	Multi Stream Sequence	(0119,1002)	1C	Sequence of acoustic data blocks for multiple streams. One sequence per stream. Required if source image sequence is not present.
	>Acoustic Data Sequence	(0119,1003)	1C	Sequence for chunks of acoustic data for specific control information and acoustic data chunks. One item per chunk. One sequence per transaction.
	>>Per Transaction Acoustic Control Information	(0119,1004)	1	Transaction data, one for each transaction
	>>Acoustic Data Offset	(0119,1005)	1	Offset of current Volume in Acoustic Image and Footer Data. One per transaction per stream
	>>Acoustic Data Length	(0119,1006)	1	Length of current Volume in Acoustic Image and Footer Data One per transaction per stream
	>>Footer Offset	(0119,1007)	1	Offset of footer for current Volume in Acoustic Image and Footer Data One per transaction per stream
	>>Footer Length	(0119,1008)	1	Length of footer for current Volume in Acoustic Image and Footer Data One per transaction per stream
	>Acoustic Stream Number	(0119, 1009)	1C	Identification of acoustic stream number. One per stream
	>Acoustic Stream Type	(0119.1010)	1C	Identification of acoustic stream type. One per stream
	Private Creator Data Element (Implementor)	(0129,0010)	1	SIEMENS Ultrasound SC2000
	Raw Data Object Type	(0129,1030)	1	Defined Term for Object Type <ul style="list-style-type: none"> • VOLUME • APPLICATION STATE • EXAM STATE
	>Cine Parameters Schema	(0129,1021)	3	Schema describing stored Cine Parameters Data.
	>Cine Parameters Data	(0129,1022)	3	Values of Cine Parameters
	Visualization Sequence	(0129,1006)	3	Sequence for Volume Rendered views. One item for each view.
	>Visualization Information	(0129,1008)	1C	Volume rendering parameters. Required if Sequence is present.

Module	Attribute	Tag	Type	Notes
Raw Data	Application State Sequence	(0129,1009)	1	Sequence of application states. One item for each application that was started online
	>Application State Information	(0129,1010)	1C	Application state information.
	Cine Parameters Sequence	(0129,1020)	3	Cine Parameters
	Private Creator Data Element (Implementor)	(7FD1,0010)	3	SIEMENS Ultrasound SC2000
	Acoustic Image and Footer Data	(7FD1,1001)	3	Acoustic image data frame
	Volume Version ID	(7FD1,1009)	3	1.2
	Volume Payload	(7FD1,1010)	3	
	After Payload	(7FD1,1011)	3	
General Image	Acquisition Date	(0008,0022)	3	The date of the acquisition of this image
	Acquisition Time	(0008,0032)	3	The time of the acquisition of this image
US Image	Number of Stages	(0008,2124)	2C	
	Number of Views in Stage	(0008,212A)	2C	
	R Wave Time Vector	(0018,6060)	3	Vector of time offsets of the r-waves peaks relative to the start of Acquisition Datetime of the image data.
	Stage Name	(0008,2120)	3	
	Stage Number	(0008,2122)	3	
	Heart Rate	(0018,1088)	3	Beats per minute
	Mechanical Index	(0018,5022)	3	The mechanical index, when made available by a manufacturer, are defined according to the <i>Standard for Real-Time Display of Thermal and Mechanical Acoustic Output Indices on Diagnostic Ultrasound Equipment</i>
Waveform	Waveform Sequence	(5400,0100)	3	
	>Acquisition DateTime	(0008,002A)	1	
	>Trigger Time Offset	(0018,1069)	1C	
	>Waveform Originality	(003A,0004)	1	ORIGINAL
	>Number of Waveform Channels	(003A,0005)	1	1
	>Number of Waveform Samples	(003A,0010)	1	
	>Sampling Frequency	(003A,001A)	1	
	>Channel Definition Sequence	(003A,0200)	1	
	>>Channel Source Sequence	(003A,0208)	1	
	>>>Include 'Code Sequence Macro'			
	>>Channel Sensitivity	(003A,0210)	1C	
	>>Channel Sensitivity Units Sequence	(003A,0211)	1C	
	>>>Include 'Code Sequence Macro'			
	>>Waveform Bits Stored	(003A,021A)	1	
	>Waveform Bits Allocated	(5400,1004)	1	
	>Waveform Sample Interpretation	(5400,1006)	1	

Module	Attribute	Tag	Type	Notes
	>Waveform Data	(5400,1010)	1	
SOP Common	SOP Class UID	(0008,0016)	1	1.2.840.10008.5.1.4.1.1.66
	SOP Instance UID	(0008,0018)	1	Created
	Specific Character Set	(0008,0005)	1C	From MWL or set to ISO_IR 100
	Instance Creation Date	(0008,0012)	3	Created
	Instance Creation Time	(0008,0013)	3	Created
Standard Extended SOP Class - Standard and Private Attributes				
General Study	Performed Procedure Step ID	(0040,0253)	3	Created (if MPPS is supported)
	Performed Procedure Step Start Date	(0040,0244)	3	
	Performed Procedure Step Start Time	(0040,0245)	3	
	Performed Procedure Step Description	(0040,0254)	3	
General Image	Patient Orientation	(0020,0020)	2C	Set to zero length
	Image Type	(0008,0008)	3	
US Image	Stage Timer Time	(0119,1011)	3	
	Stop Watch Time	(0119,1012)	3	
	Volume Rate	(0119,1013)	3	Volumes per second

8.1.1.6 MPPS: N-CREATE

The SC2000 DICOM Performed Procedure Step SCU informs the remote SCP when the examination of a scheduled procedure step will be performed. The N-CREATE message is sent when the examination is started. The following table describes the supported attributes for a N-CREATE message.

Attribute Name	Tag	Required Type	Value
SOP Common			
Specific Character Set	(0008,0005)	1C	From MWL or created
Performed Procedure Step Relationship			
Scheduled Step Attribute Sequence	(0040,0270)	1	
>Study Instance UID	(0020,000D)	1	From MWL or created
>Referenced Study Sequence	(0008,1110)	2	From MWL or zero length
>>Referenced SOP Class UID	(0008,1150)	1C	
>>Referenced SOP Instance UID	(0008,1155)	1C	
>Accession Number	(0008,0050)	2	From MWL or user input
>Requested Procedure ID	(0040,1001)	2	From MWL or user input
>Requested Procedure Description	(0032,1060)	2	From MWL or zero length
>Scheduled Procedure Step ID	(0040,0009)	2	From MWL or zero length
>Scheduled Procedure Step Description	(0040,0007)	2	From MWL or zero length
>Scheduled Protocol Code Sequence	(0040,0008)	2	From MWL or zero length
>>Code Value	(0008,0100)	1C	
>>Coding Scheme Designator	(0008,0102)	1C	
>>Code Scheme Version	(0008,0103)	3	
>>Code Meaning	(0008,0104)	3	
Patient's Name	(0010,0010)	2	From MWL or user input
Patient ID	(0010,0020)	2	From MWL or user input or created

Attribute Name	Tag	Required Type	Value
Patients Birth Date	(0010,0030)	2	From MWL or user input
Patient's Sex	(0010,0040)	2	From MWL or user input
Referenced Patient Sequence	(0008,1120)	2	From MWL or zero length
>Referenced SOP Class UID	(0008,1150)	1C	
>Referenced SOP Instance UID	(0008,1155)	1C	
Performed Procedure Step Information			
Performed Procedure Step ID	(0040,0253)	1	From SPS ID or created
Performed Station AE Title	(0040,0241)	1	Own AE Title
Performed Station Name	(0040,0242)	2	Own hostname
Performed Location	(0040,0243)	2	From SPS Location or zero length
Performed Procedure Step Start Date	(0040,0244)	1	Created
Performed Procedure Step Start Time	(0040,0245)	1	Created
Performed Procedure Step Status	(0040,0252)	1	IN PROGRESS
Performed Procedure Step Description	(0040,0254)	2	From SPS Description or zero length
Performed Procedure Type Description	(0040,0255)	2	Zero length
Procedure Code Sequence	(0008,1032)	2	From Requested Procedure Code or zero length
>Code Value	(0008,0100)	1C	
>Code Scheme Designator	(0008,0102)	1C	
>Code Scheme Version	(0008,0103)	3	
>Code Meaning	(0008,0104)	3	
Performed Procedure Step End Date	(0040,0250)	2	Zero length
Performed Procedure Step End Time	(0040,0251)	2	Zero length
Image Acquisition Results			
Modality	(0008,0060)	1	US
Study ID	(0020,0010)	2	From Requested Procedure ID or created
Performed Protocol Code Sequence	(0040,0260)	2	From Scheduled Action Item Code SQ or zero length
>Code Value	(0008,0100)	1C	
>Code Scheme Designator	(0008,0102)	1C	
>Code Scheme Version	(0008,0103)	3	
>Code Meaning	(0008,0104)	3	
Performed Series Sequence	(0040,0340)	2	
>Performing Physician's Name	(0008,1050)	2C	From MWL or user input
>Protocol Name	(0018,1030)	1C	Set to "unknown"
>Operator's Name	(0008,1070)	2C	User input
>Series Instance UID	(0020,000E)	1C	Created
>Retrieve AE Title	(0008,0054)	2C	Zero length
>Referenced Image Sequence	(0008,1140)	2C	Zero length
>>Referenced SOP Class UID	(0008,1150)	1C	
>>Referenced SOP Instance UID	(0008,1155)	1C	
>Referenced Non-Image Composite SOP Instance Sequence	(0040,0220)	2C	
>>Referenced SOP Class UID	(0008,1150)	1C	
>>Referenced SOP Instance UID	(0008,1155)	1C	

Attribute Name	Tag	Required Type	Value
>Referenced Standalone SOP Instance Sequence	(0040,0220)	2C	Zero length

8.1.1.7 MPPS: N-SET

The SC2000 DICOM Performed Procedure Step SCU informs the remote SCP about the performed examination and its status. The N-SET message is only sent once when the exam is ended with status “COMPLETED” or when the examination could not be completed with status “DISCONTINUED”. The following table describes the supported attributes for a N-SET message.

Attribute name	Tag	Required Type	Value
Performed Procedure Step Information			
Performed Procedure Step Status	(0040,0252)	3	COMPLETED or DISCONTINUED
Performed Procedure Step Description	(0040,0254)	3	From SPS Description or user input
Performed Procedure Type Description	(0040,0255)	3	User input
Procedure Code Sequence	(0008,1032)	3	From Requested Procedure Code
>Code Value	(0008,0100)	1C	
>Code Scheme Designator	(0008,0102)	1C	
>Code Scheme Version	(0008,0103)	3	
>Code Meaning	(0008,0104)	3	
Performed Procedure Step End Date	(0040,0250)	3	Created
Performed Procedure Step End Time	(0040,0251)	3	Created
Image Acquisition Results			
Performed Action Item Code Sequence	(0040,0260)	3	From Scheduled Action Item Code SQ.
>Code Value	(0008,0100)	1C	
>Code Scheme Designator	(0008,0102)	1C	
>Code Scheme Version	(0008,0103)	3	
>Code Meaning	(0008,0104)	3	
Performed Series Sequence	(0040,0340)	3	
>Performing Physician’s Name	(0008,1050)	2C	From MWL or user input
>Protocol Name	(0018,1030)	1C	User input or set to “unknown”
>Operator’s Name	(0008,1070)	2C	User input
>Series Instance UID	(0020,000E)	1C	Created
>Retrieve AE Title	(0008,0054)	2C	From Storage Commitment RSP or zero length
>Referenced Image Sequence	(0008,1140)	2C	Created
>>Referenced SOP Class UID	(0008,1150)	1C	
>>Referenced SOP Instance UID	(0008,1155)	1C	
>Referenced Standalone SOP Instance Sequence	(0040,0220)	2C	Zero length

8.1.1.8 Query: C-FIND

The SC2000 DICOM Query/Retrieve SCU supports hierarchical queries with all mandatory search keys. The interactive querying of attributes on IMAGE level is not supported by the Query SCU. Though,

retrieval of individual Objects is possible. The following table describes the search keys for the different query models that the SCU supports. Matching is either wildcard, which means that the user can supply a string containing wildcards, or universal, which means that the attribute is requested as return value.

Attribute Name	Tag	Type	Matching	User Input	Return Value Display
Patient Level					
Patient Name	(0010,0010)	R	Wildcard	Enter value	Yes
Patient ID	(0010,0020)	U	Wildcard	Enter value	Yes
Patient's Birth date	(0010,0030)	O	Universal (Null)	Enter value	Yes
Patient's Sex	(0010,0040)	O	Universal (Null)	Enter value	Yes
Study Level					
Patient Name	(0010,0010)	R	Wildcard	Enter value	Yes
Patient ID	(0010,0020)	R	Wildcard	Enter value	Yes
Patient's Birth date	(0010,0030)	O	Universal (Null)	Enter value	Yes
Patient's Sex	(0010,0040)	O	Universal (Null)	Enter value	Yes
Study Instance UID	(0020,000D)	U	Universal (Null)		No
Study ID	(0020,0010)	R	Universal (Null)	Enter value	Yes
Study Date	(0008,0020)	R	Universal (Null)	Enter value	Yes
Study Time	(0008,0030)	R	Universal (Null)	-	Yes
Accession Number	(0008,0050)	R	Universal (Null)	Enter value	Yes
Study Description	(0008,1030)	O	Universal (Null)	Enter value	Yes
Referring Physician's Name	(0008,0090)	O	Universal (Null)	Enter value	Yes
Name of Physician Reading Study	(0008,1060)	O	Universal (Null)	Enter value	Yes
Modalities in Study	(0008,0061)	O	Universal (Null)	Enter value	Yes
Retrieve AE Title	(0008,0054)	O	Universal (Null)		No
Number of Study related Series	(0020,1206)	O	Universal (Null)		Yes
Number of Study related Instances	(0020,1208)	O	Universal (Null)		No
Series Level					
Series Instance UID	(0020,000E)	U	Universal (Null)		No
Series Number	(0020,0011)	R	Universal (Null)		Yes
Modality	(0008,0060)	R	Universal (Null)	Enter value	Yes
Performing Physician	(0008,1050)	O	Universal (Null)	Enter value	Yes
Retrieve AE Title	(0008,0054)	O	Universal (Null)		Yes
Protocol Name	(0018,1030)	O	Universal (Null)		No
Performed Procedure Step Start Date	(0040,0244)	O	Universal (Null)		Yes
Performed Procedure Step Start Time	(0040,0245)	O	Universal (Null)		Yes
Requested Attribute Sequence	(0040,0275)	O	Universal (Null)		Yes
> Requested Procedure ID	(0040,1001)	O	Universal (Null)		Yes
> Scheduled Procedure ID	(0040,0009)	O	Universal (Null)		Yes
Number of Series related Instances	(0020,1209)	O	Universal (Null)		Yes
Image Level					
SOP Instance UID	(0008,0018)	U	Single value		No
Image Number	(0020,0013)	R	Universal (Null)		Yes
Retrieve AE Title	(0008,0054)	O	Universal (Null)		No
Instance Date	(0008,0023)	O	Universal (Null)		No

Attribute Name	Tag	Type	Matching	User Input	Return Value Display
Instance Time	(0008,0033)	O	Universal (Null)		No
Number of Frames	(0028,0008)	O	Universal (Null)		Yes
Content Date	(0008,0023)	O	Single value, Range matching, Universal	Enter value	Yes
Content Time	(0008,0033)	O	Single value, Range matching, Universal	Enter value	Yes
Referenced Request Sequence	(0040,A370)	O	Sequence matching		Yes
>Accession Number	0008,0050)	O	Single value, Universal		Yes
>Requested Procedure ID	(0040,1000)	O	Single value, Universal		Yes

9 APPENDICES

9.1 Appendix A: Echocardiography Structured Report

This appendix lists the DICOM Structured Report (SR) mappings used in the Cardiac Structured Reports of the ACUSON SC2000 system SR files.

The mappings follow the DICOM SR Template TID 5200: Echocardiography Procedure Report, as described in PS 3.16-2009 of the DICOM Standard, and are organized in a manner similar to TID 5200. The **Label** column identifies the on-screen worksheet label associated with a measurement using the format “[Worksheet] Table Heading: Measurement Label” or “[Worksheet] Measurement Label”. All private code values use the Coding Scheme Designator “99SIEMENS”.

[...] contains additional information about the measurement.

The **HR** column indicates if a measurement has an individual heart rate associated it. The heart rate is defined in the SR by HAS PROPERTIES, NUM, Heart Rate (LN, 8867-4) with VM of 1.

The **Mean** column indicates if a measurement has an average value associated it. A mean value is defined in the SR by the modifier: HAS CONCEPT MOD, CODE, Derivation (DCM, 121401) = Mean (SRT, R-00317) with VM of 1.

Values with the Simpson Disk Number modifier represent the disks that are generated by the trace tool when performing MOD Area/Volume measurements. These disk values have units of "cm". When a Simpson Disk Number is associated with a volume as a modifier, it is defined in the SR by

HAS CONCEPT MOD, TEXT, Simpson Disk Number (99SIEMENS, SimpsonDiskNum) with VM of 1.

Private sections that contain the results of Clinical Application Packages are defined as Findings CONTAINERS with the modifier HAS CONCEPT MOD, CODE, Clinical Application Package (99SIEMENS, CAP) with VM of 1.

Worksheet edits to CAP results are not saved to the SR.

Worksheets are identified in the Label column by the following notation:

<u>Notation</u>	<u>Worksheet</u>	<u>Notation</u>	<u>Worksheet</u>	<u>Notation</u>	<u>Worksheet</u>
[A]	Arteries	[P]	PISA	[V]	Volumes
[Ao]	Ao and Aortic Valve	[PV]	Pulmonary Valve	[VVI-D]	VVI-Displacement
[D]	Diastology	[PVn]	Pulmonary Veins	[VVI-S]	VVI-Strain
[LA]	Left Atrium	[RA]	Right Atrium	[VVI-SR]	VVI-Strain Rate
[LR]	LVA and RVA	[RV]	Right Ventricle	[VVI-V]	VVI-Velocity
[LV]	Left Ventricle	[SE]	Stress Echo and LVA	[3DP]	3D PISA
[M]	M-Mode	[Sh]	Shunts		
[MV]	Mitral Valve	[TV]	Tricuspid Valve		

9.1.1 Patient Characteristics

HR	Mean	Label	Code Meaning (Coding Scheme Designator, Code Value)	Modifiers
Patient Characteristics			Container: Patient Characteristics (DCM, 121118)	
		BSA	Body Surface Area (LN, 8277-6)	Body Surface Area Formula: $BSA = 0.007184 * WT^{0.425} * HT^{0.725}$ (DCM, 122241)
		BP	Diastolic Blood Pressure (SRT, F-008ED)	
		Age	Subject Age (DCM, 121033)	
		Sex	Subject Sex (DCM, 121032)	
		BP	Systolic Blood Pressure (SRT, F-008EC)	

9.1.2 Left Ventricle

HR	Mean	Label	Code Meaning (Coding Scheme Designator, Code Value)	Modifiers
Left Ventricle			Container: Findings (DCM, 121070)	Finding Site: Left Ventricle (SRT, T-32600)
Measurements of Image Mode: 2D mode (SRT, G-03A2)				
		[LV] Cubed: LV CI	Cardiac Index (SRT, F-32110)	Measurement Method: Cube Method (DCM, 125206)
		[LV] Teichholz: LV CI	Cardiac Index (SRT, F-32110)	Measurement Method: Teichholz (DCM, 125209)
		[V] MOD, A2C: LV CI	Cardiac Index (SRT, F-32110)	Measurement Method: Method of Disks, Single Plane (DCM, 125208) Image View: Apical two chamber (SRT, G-A19B)
		[V] MOD, A4C: LV CI	Cardiac Index (SRT, F-32110)	Measurement Method: Method of Disks, Single Plane (DCM, 125208) Image View: Apical four chamber (SRT, G-A19C)
		[V] MOD, Biplane: LV CI	Cardiac Index (SRT, F-32110)	Measurement Method: Method of Disks, Biplane (DCM, 125207)
		[LV] Cubed: LV CO	Cardiac Output (SRT, F-32100)	Measurement Method: Cube Method (DCM, 125206)
		[LV] Teichholz: LV CO	Cardiac Output (SRT, F-32100)	Measurement Method: Teichholz (DCM, 125209)
		[V] MOD, A2C: LV CO	Cardiac Output (SRT, F-32100)	Measurement Method: Method of Disks, Single Plane (DCM, 125208) Image View: Apical two chamber (SRT, G-A19B)

HR	Mean	Label	Code Meaning (Coding Scheme Designator, Code Value)	Modifiers
		[V] MOD, A4C: LV CO	Cardiac Output (SRT, F-32100)	Measurement Method: Method of Disks, Single Plane (DCM, 125208) Image View: Apical four chamber (SRT, G-A19C)
		[V] MOD, Biplane: LV CO	Cardiac Output (SRT, F-32100)	Measurement Method: Method of Disks, Biplane (DCM, 125207)
		[Ao] Aortic Valve: LVOT Area s	Cardiovascular Orifice Area (SRT, G-038E)	Finding Site: Left Ventricle Outflow Tract (SRT, T-32650)
	X	[Ao] AR Jet/LVOT: LVOT Area d	Cardiovascular Orifice Area (SRT, G-038E)	Finding Site: Left Ventricle Outflow Tract (SRT, T-32650) Cardiac Cycle Point: End Diastole (SRT, F-32011)
X	X	[Ao] Aortic Valve: LVOT Diam s	Cardiovascular Orifice Diameter (SRT, G-038F)	Finding Site: Left Ventricle Outflow Tract (SRT, T-32650) Cardiac Cycle Point: Systole (SRT, F-32020)
		[LV] Cubed: LV HR	Composite heart rate for LV CO, Cubed (99SIEMENS, LVHRCOCube2D)	
		[V] MOD, A2C: HR	Composite heart rate for LV CO, MOD A2C (99SIEMENS, LVHRCOA2C)	
		[V] MOD, A4C: HR	Composite heart rate for LV CO, MOD A4C (99SIEMENS, LVHRCOA4C)	
		[V] MOD, Biplane: HR	Composite heart rate for LV CO, MOD Biplane (99SIEMENS, LVHRCOMODBP)	
		[LV] Teichholz: LV HR	Composite heart rate for LV CO, Teichholz (99SIEMENS, LVHRCOTEich2D)	
		[LV] IVS %Thick	Interventricular Septum % Thickening (LN, 18054-7)	Image View: Parasternal long axis (SRT, G-0396)
	X	[LV] Diastole: IVS	Interventricular Septum Diastolic Thickness (LN, 18154-5)	Image View: Parasternal long axis (SRT, G-0396)
	X	[LV] PSAX, Diastole: IVS	Interventricular Septum Diastolic Thickness (LN, 18154-5)	Image View: Parasternal short axis (SRT, G-0397)
	X	[LV] PSAX, Systole: IVS	Interventricular Septum Systolic Thickness (LN, 18158-6)	Image View: Parasternal short axis (SRT, G-0397)
	X	[LV] Systole: IVS	Interventricular Septum Systolic Thickness (LN, 18158-6)	Image View: Parasternal long axis (SRT, G-0396)
		[LV] IVS/LVPW	Interventricular Septum to Posterior Wall Thickness Ratio (LN, 18155-2)	
X	X	[V] LV MOD, A2C d: Major Axis	Left Ventricle diastolic major axis (LN, 18077-8)	Image View: Apical two chamber (SRT, G-A19B)
X	X	[V] LV MOD, A4C d: Major Axis	Left Ventricle diastolic major axis (LN, 18077-8)	Image View: Apical four chamber (SRT, G-A19C)
	X	[LV] PSAX, Diastole: LV Epi Area pap	Left Ventricle Epicardial Diastolic Area, psax pap view (SRT, G-0379)	

HR	Mean	Label	Code Meaning (Coding Scheme Designator, Code Value)	Modifiers
X	X	[LV] Diastole: LVID	Left Ventricle Internal End Diastolic Dimension (LN, 29436-3)	Image View: Parasternal long axis (SRT, G-0396)
X	X	[LV] PSAX, Diastole: LVID chord	Left Ventricle Internal End Diastolic Dimension (LN, 29436-3)	Image View: Parasternal short axis at the level of the mitral chords (SRT, G-0399)
X	X	[LV] PSAX, Diastole: LVID pap	Left Ventricle Internal End Diastolic Dimension (LN, 29436-3)	Image View: Parasternal short axis at the Papillary Muscle level (SRT, G-039B)
X	X	[LV] PSAX, Systole: LVID chord	Left Ventricle Internal Systolic Dimension (LN, 29438-9)	Image View: Parasternal short axis at the level of the mitral chords (SRT, G-0399)
X	X	[LV] PSAX, Systole: LVID pap	Left Ventricle Internal Systolic Dimension (LN, 29438-9)	Image View: Parasternal short axis at the Papillary Muscle level (SRT, G-039B)
X	X	[LV] Systole: LVID	Left Ventricle Internal Systolic Dimension (LN, 29438-9)	Image View: Parasternal long axis (SRT, G-0396)
		[LV] A-L: LV Mass	Left Ventricle Mass (LN, 18087-7)	Measurement Method: Area-Length Single Plane (DCM, 125205)
		[LV] A-L: LV Mass/BSA	Left Ventricle Mass (LN, 18087-7)	Measurement Method: Area-Length Single Plane (DCM, 125205) Index: Body Surface Area (LN, 8277-6)
		[LV] A-L: LV Mass/Ht	Left Ventricle Mass (LN, 18087-7)	Measurement Method: Area-Length Single Plane (DCM, 125205) Index: Patient Height (LN, 8302-2)
		[LV] T-E: LV Mass	Left Ventricle Mass (LN, 18087-7)	Measurement Method: Left Ventricle Mass by Truncated Ellipse (DCM, 125222)
		[LV] T-E: LV Mass/BSA	Left Ventricle Mass (LN, 18087-7)	Measurement Method: Left Ventricle Mass by Truncated Ellipse (DCM, 125222) Index: Body Surface Area (LN, 8277-6)
		[LV] T-E: LV Mass/Ht	Left Ventricle Mass (LN, 18087-7)	Measurement Method: Left Ventricle Mass by Truncated Ellipse (DCM, 125222) Index: Patient Height (LN, 8302-2)
		[LV] LVPW %Thick	Left Ventricle Posterior Wall % Thickening (LN, 18053-9)	Image View: Parasternal long axis (SRT, G-0396)
	X	[LV] Diastole: LVPW	Left Ventricle Posterior Wall Diastolic Thickness (LN, 18152-9)	Image View: Parasternal long axis (SRT, G-0396)
		[LV] PSAX, Diastole: LV Mean Wall Thickness	Left Ventricle Posterior Wall Diastolic Thickness (LN, 18152-9)	Derivation: Mean (SRT, R-00317)
	X	[LV] PSAX, Diastole: LVPW chord	Left Ventricle Posterior Wall Diastolic Thickness (LN, 18152-9)	Image View: Parasternal short axis at the level of the mitral chords (SRT, G-0399)

HR	Mean	Label	Code Meaning (Coding Scheme Designator, Code Value)	Modifiers
	X	[LV] PSAX, Diastole: LVPW pap	Left Ventricle Posterior Wall Diastolic Thickness (LN, 18152-9)	Image View: Parasternal short axis at the Papillary Muscle level (SRT, G-039B)
	X	[LV] PSAX, Systole: LVPW chord	Left Ventricle Posterior Wall Systolic Thickness (LN, 18156-0)	Image View: Parasternal short axis at the level of the mitral chords (SRT, G-0399)
	X	[LV] PSAX, Systole: LVPW pap	Left Ventricle Posterior Wall Systolic Thickness (LN, 18156-0)	Image View: Parasternal short axis at the Papillary Muscle level (SRT, G-039B)
	X	[LV] Systole: LVPW	Left Ventricle Posterior Wall Systolic Thickness (LN, 18156-0)	Image View: Parasternal long axis (SRT, G-0396)
X	X	[V] LV MOD, A4C d: Semi-Major Axis	Left Ventricle Semi-major Axis Diastolic Dimension (SRT, G-0377)	
		[LV] Systole: LV Major max	Left Ventricle systolic major axis (LN, 18076-0)	Derivation: Maximum (SRT, G-A437)
	X	[LV] Systole: LV Major SCLAX	Left Ventricle systolic major axis (LN, 18076-0)	Image View: Subcostal long axis (SRT, G-039E)
X	X	[V] LV MOD, A2C s: Major Axis	Left Ventricle systolic major axis (LN, 18076-0)	Image View: Apical two chamber (SRT, G-A19B)
X	X	[V] LV MOD, A4C s: Major Axis	Left Ventricle systolic major axis (LN, 18076-0)	Image View: Apical four chamber (SRT, G-A19C)
X	X	[V] LV MOD, A4C d: Tr Semi-Major Axis	Left Ventricle Truncated Semi-major Axis Diastolic Dimension (SRT, G-0378)	
X	X	[LV] PSAX, Diastole: LV Area pap	Left Ventricular Diastolic Area (SRT, G-0375)	Image View: Parasternal short axis at the Papillary Muscle level (SRT, G-039B)
X	X	[V] LV MOD, A2C d: LV Area	Left Ventricular Diastolic Area (SRT, G-0375)	Image View: Apical two chamber (SRT, G-A19B)
X	X	[V] LV MOD, A4C d: LV Area	Left Ventricular Diastolic Area (SRT, G-0375)	Image View: Apical four chamber (SRT, G-A19C)
		[LV] Cubed: LV EF	Left Ventricular Ejection Fraction (LN, 18043-0)	Measurement Method: Cube Method (DCM, 125206)
		[LV] PSAX, Cubed: LV EF	Left Ventricular Ejection Fraction (LN, 18043-0)	Measurement Method: Cube Method (DCM, 125206) Image View: Parasternal short axis (SRT, G-0397)
		[LV] PSAX, Teichholz: LV EF	Left Ventricular Ejection Fraction (LN, 18043-0)	Measurement Method: Teichholz (DCM, 125209) Image View: Parasternal short axis (SRT, G-0397)
		[LV] Teichholz: LV EF	Left Ventricular Ejection Fraction (LN, 18043-0)	Measurement Method: Teichholz (DCM, 125209)
		[V] MOD, A2C: LV EF	Left Ventricular Ejection Fraction (LN, 18043-0)	Measurement Method: Method of Disks, Single Plane (DCM, 125208) Image View: Apical two chamber (SRT, G-A19B)
		[V] MOD, A4C: LV EF	Left Ventricular Ejection Fraction (LN, 18043-0)	Measurement Method: Method of Disks, Single Plane (DCM, 125208) Image View: Apical four chamber (SRT, G-A19C)
		[V] MOD, Biplane: LV EF	Left Ventricular Ejection Fraction (LN, 18043-0)	Measurement Method: Method of Disks, Biplane (DCM, 125207)

HR	Mean	Label	Code Meaning (Coding Scheme Designator, Code Value)	Modifiers
		[LV] Cubed: LV Vol d	Left Ventricular End Diastolic Volume (LN, 18026-5)	Measurement Method: Cube Method (DCM, 125206)
		[LV] Teichholz: LV Vol d	Left Ventricular End Diastolic Volume (LN, 18026-5)	Measurement Method: Teichholz (DCM, 125209)
		[V] Area-Length, A2C d: LV Vol	Left Ventricular End Diastolic Volume (LN, 18026-5)	Measurement Method: Area-Length Single Plane (DCM, 125205) Image View: Apical two chamber (SRT, G-A19B)
		[V] Area-Length, A4C d: LV Vol	Left Ventricular End Diastolic Volume (LN, 18026-5)	Measurement Method: Area-Length Single Plane (DCM, 125205) Image View: Apical four chamber (SRT, G-A19C)
		[V] Area-Length, Biplane d: LV Vol	Left Ventricular End Diastolic Volume (LN, 18026-5)	Measurement Method: Area-Length Biplane (DCM, 125204)
X	X	[V] LV MOD, A2C d: LV Vol	Left Ventricular End Diastolic Volume (LN, 18026-5)	Measurement Method: Method of Disks, Single Plane (DCM, 125208) Image View: Apical two chamber (SRT, G-A19B)
		[V] LV MOD, A2C d: Vol/BSA	Left Ventricular End Diastolic Volume (LN, 18026-5)	Measurement Method: Method of Disks, Single Plane (DCM, 125208) Image View: Apical two chamber (SRT, G-A19B) Index: Body Surface Area (LN, 8277-6)
X	X	[V] LV MOD, A4C d: LV Vol	Left Ventricular End Diastolic Volume (LN, 18026-5)	Measurement Method: Method of Disks, Single Plane (DCM, 125208) Image View: Apical four chamber (SRT, G-A19C)
		[V] LV MOD, A4C d: Vol/BSA	Left Ventricular End Diastolic Volume (LN, 18026-5)	Measurement Method: Method of Disks, Single Plane (DCM, 125208) Image View: Apical four chamber (SRT, G-A19C) Index: Body Surface Area (LN, 8277-6)
		[V] LV MOD, Biplane d: LV Vol	Left Ventricular End Diastolic Volume (LN, 18026-5)	Measurement Method: Method of Disks, Biplane (DCM, 125207)
		[V] LV MOD, Biplane d: Vol/BSA	Left Ventricular End Diastolic Volume (LN, 18026-5)	Measurement Method: Method of Disks, Biplane (DCM, 125207) Index: Body Surface Area (LN, 8277-6)
		[LV] Cubed: LV Vol s	Left Ventricular End Systolic Volume (LN, 18148-7)	Measurement Method: Cube Method (DCM, 125206)
		[LV] Teichholz: LV Vol s	Left Ventricular End Systolic Volume (LN, 18148-7)	Measurement Method: Teichholz (DCM, 125209)
		[V] Area-Length, A2C s: LV Vol	Left Ventricular End Systolic Volume (LN, 18148-7)	Measurement Method: Area-Length Single Plane (DCM, 125205) Image View: Apical two chamber (SRT, G-A19B)

HR	Mean	Label	Code Meaning (Coding Scheme Designator, Code Value)	Modifiers
		[V] Area-Length, A4C s: LV Vol	Left Ventricular End Systolic Volume (LN, 18148-7)	Measurement Method: Area-Length Single Plane (DCM, 125205) Image View: Apical four chamber (SRT, G-A19C)
		[V] Area-Length, Biplane s: LV Vol	Left Ventricular End Systolic Volume (LN, 18148-7)	Measurement Method: Area-Length Biplane (DCM, 125204)
X	X	[V] LV MOD, A2C s: LV Vol	Left Ventricular End Systolic Volume (LN, 18148-7)	Measurement Method: Method of Disks, Single Plane (DCM, 125208) Image View: Apical two chamber (SRT, G-A19B)
		[V] LV MOD, A2C s: Vol/BSA	Left Ventricular End Systolic Volume (LN, 18148-7)	Measurement Method: Method of Disks, Single Plane (DCM, 125208) Image View: Apical two chamber (SRT, G-A19B) Index: Body Surface Area (LN, 8277-6)
X	X	[V] LV MOD, A4C s: LV Vol	Left Ventricular End Systolic Volume (LN, 18148-7)	Measurement Method: Method of Disks, Single Plane (DCM, 125208) Image View: Apical four chamber (SRT, G-A19C)
		[V] LV MOD, A4C s: Vol/BSA	Left Ventricular End Systolic Volume (LN, 18148-7)	Measurement Method: Method of Disks, Single Plane (DCM, 125208) Image View: Apical four chamber (SRT, G-A19C) Index: Body Surface Area (LN, 8277-6)
		[V] LV MOD, Biplane s: LV Vol	Left Ventricular End Systolic Volume (LN, 18148-7)	Measurement Method: Method of Disks, Biplane (DCM, 125207)
		[V] LV MOD, Biplane s: Vol/BSA	Left Ventricular End Systolic Volume (LN, 18148-7)	Measurement Method: Method of Disks, Biplane (DCM, 125207) Index: Body Surface Area (LN, 8277-6)
		[V] MOD, A2C: LV %FAC	Left Ventricular Fractional Area Change (SRT, G-0376)	Image View: Apical two chamber (SRT, G-A19B)
		[V] MOD, A4C: LV %FAC	Left Ventricular Fractional Area Change (SRT, G-0376)	Image View: Apical four chamber (SRT, G-A19C)
		[LV] Cubed: LV %FS	Left Ventricular Fractional Shortening (LN, 18051-3)	Measurement Method: Cube Method (DCM, 125206)
		[LV] LV %FS	Left Ventricular Fractional Shortening (LN, 18051-3)	Image View: Parasternal long axis (SRT, G-0396)
		[LV] Teichholz: LV %FS	Left Ventricular Fractional Shortening (LN, 18051-3)	Measurement Method: Teichholz (DCM, 125209)
X	X	[LV] PSAX, Systole: LV Area pap	Left Ventricular Systolic Area (SRT, G-0374)	Image View: Parasternal short axis at the Papillary Muscle level (SRT, G-039B)
X	X	[V] LV MOD, A2C s: LV Area	Left Ventricular Systolic Area (SRT, G-0374)	Image View: Apical two chamber (SRT, G-A19B)
X	X	[V] LV MOD, A4C s: LV Area	Left Ventricular Systolic Area (SRT, G-0374)	Image View: Apical four chamber (SRT, G-A19C)

HR	Mean	Label	Code Meaning (Coding Scheme Designator, Code Value)	Modifiers
		[Not shown]	LV vol, d MOD A2C (disk <n>) (99SIEMENS, LVvdMODA2Cdisk<n>) where <n> = 0..19	
		[Not shown]	LV vol, d MOD A4C (disk <n>) (99SIEMENS, LVvdMODA4Cdisk<n>) where <n> = 0..19	
		[Not shown]	LV vol, s MOD A2C (disk <n>) (99SIEMENS, LVvsMODA2Cdisk<n>) where <n> = 0..19	
		[Not shown]	LV vol, s MOD A4C (disk <n>) (99SIEMENS, LVvsMODA4Cdisk<n>) where <n> = 0..19	
X	X	[V] LV MOD, A2C d: Minor Axis	Minor Axis (SRT, G-A194)	Cardiac Cycle Point: Diastole (SRT, F-32010) Image View: Apical two chamber (SRT, G-A19B)
X	X	[V] LV MOD, A2C s: Minor Axis	Minor Axis (SRT, G-A194)	Cardiac Cycle Point: Systole (SRT, F-32020) Image View: Apical two chamber (SRT, G-A19B)
X	X	[V] LV MOD, A4C d: Minor Axis	Minor Axis (SRT, G-A194)	Cardiac Cycle Point: Diastole (SRT, F-32010) Image View: Apical four chamber (SRT, G-A19C)
X	X	[V] LV MOD, A4C s: Minor Axis	Minor Axis (SRT, G-A194)	Cardiac Cycle Point: Systole (SRT, F-32020) Image View: Apical four chamber (SRT, G-A19C)
		[LV] PSAX, Diastole: LV Minor pap	Minor Radius (99SIEMENS, MinorRadius)	Cardiac Cycle Point: Diastole (SRT, F-32010) Image View: Parasternal short axis at the Papillary Muscle level (SRT, G-039B)
		[LV] Cubed: LV SI	Stroke Index (SRT, F-00078)	Measurement Method: Cube Method (DCM, 125206)
		[LV] Teichholz: LV SI	Stroke Index (SRT, F-00078)	Measurement Method: Teichholz (DCM, 125209)
		[V] MOD, A2C: LV SI	Stroke Index (SRT, F-00078)	Measurement Method: Method of Disks, Single Plane (DCM, 125208) Image View: Apical two chamber (SRT, G-A19B) Index: Body Surface Area (LN, 8277-6)
		[V] MOD, A4C: LV SI	Stroke Index (SRT, F-00078)	Measurement Method: Method of Disks, Single Plane (DCM, 125208) Image View: Apical four chamber (SRT, G-A19C) Index: Body Surface Area (LN, 8277-6)

HR	Mean	Label	Code Meaning (Coding Scheme Designator, Code Value)	Modifiers
		[V] MOD, Biplane: LV SI	Stroke Index (SRT, F-00078)	Measurement Method: Method of Disks, Biplane (DCM, 125207) Index: Body Surface Area (LN, 8277-6)
		[Ao] Aortic Valve: LVOT SV	Stroke Volume (SRT, F-32120)	Finding Site: Left Ventricle Outflow Tract (SRT, T-32650)
		[LV] Cubed: LV SV	Stroke Volume (SRT, F-32120)	Measurement Method: Cube Method (DCM, 125206)
		[LV] Teichholz: LV SV	Stroke Volume (SRT, F-32120)	Measurement Method: Teichholz (DCM, 125209)
		[V] MOD, A2C: LV SV	Stroke Volume (SRT, F-32120)	Measurement Method: Method of Disks, Single Plane (DCM, 125208) Image View: Apical two chamber (SRT, G-A19B)
		[V] MOD, A4C: LV SV	Stroke Volume (SRT, F-32120)	Measurement Method: Method of Disks, Single Plane (DCM, 125208) Image View: Apical four chamber (SRT, G-A19C)
		[V] MOD, Biplane: LV SV	Stroke Volume (SRT, F-32120)	Measurement Method: Method of Disks, Biplane (DCM, 125207)
Measurements are associated with CW and PW, so the image mode is not specified				
		[Ao] Aortic Valve: LVOT CO	Cardiac Output (SRT, F-32100)	Finding Site: Left Ventricle Outflow Tract (SRT, T-32650)
	X	[LV] Myocardial Performance Index: MV Close-Open Dur	Closure to Opening Time (LN, 59082-8)	
		[Ao] Aortic Valve: LVOT HR	Composite heart rate for LVOT CO (99SIEMENS, LVOTHRCO)	
		[P] LVOT PISA	Flow Area (LN, 20226-7)	Finding Site: Left Ventricle Outflow Tract (SRT, T-32650) Measurement Method: Proximal Isovelocity Surface Area (DCM, 125216)
X	X	[LV] LV ET	Left Ventricular ejection time (DCM, 122211)	
	X	[LV] Myocardial Performance Index: LVOT ET	Left Ventricular ejection time (DCM, 122211)	Finding Site: Left Ventricle Outflow Tract (SRT, T-32650)
		[LV] LV Pressure ED	Left Ventricular End-Diastolic Pressure (SRT, F-03E0E)	
		[LV] Myocardial Performance Index: LV MPI	Left Ventricular Index of Myocardial Performance (SRT, G-037F)	
X	X	[LV] LV IVCT [D] MV Flow: LV IVCT	Left Ventricular Isovolumic Contraction Time (SRT, G-037E)	
	X	[LV] LV IVRT [D] MV Flow: LV IVRT	Left Ventricular Isovolumic Relaxation Time (LN, 18071-1)	
		[LV] LV Pressure s	Left Ventricular Systolic Pressure (SRT, F-03E0D)	

HR	Mean	Label	Code Meaning (Coding Scheme Designator, Code Value)	Modifiers
	X	[Ao] Aortic Valve: LVOT Mean Grad	Mean Gradient (LN, 20256-4)	Finding Site: Left Ventricle Outflow Tract (SRT, T-32650)
X	X	[Ao] Aortic Valve: LVOT Vmean	Mean Velocity (LN, 20352-1)	Finding Site: Left Ventricle Outflow Tract (SRT, T-32650)
		[Ao] Aortic Valve: LVOT Peak Grad	Peak Gradient (LN, 20247-3)	Finding Site: Left Ventricle Outflow Tract (SRT, T-32650)
		[P] LVOT Inst Flow Rate	Peak Instantaneous Flow Rate (LN, 34141-2)	Finding Site: Left Ventricle Outflow Tract (SRT, T-32650) Measurement Method: Proximal Isovelocity Surface Area (DCM, 125216) Flow Direction: Antegrade Flow (SRT, R-42047)
X	X	[Ao] Aortic Valve: LVOT Vmax	Peak Velocity (LN, 11726-7)	Finding Site: Left Ventricle Outflow Tract (SRT, T-32650)
		[MV] MV E/E' Lateral [D] PW DTI, MV Lateral: E/E'	Ratio of MV Peak Velocity to LV Peak Tissue Velocity E-Wave (SRT, G-037B)	Finding Site: Lateral Mitral Annulus (SRT, G-0392)
		[MV] MV E/E' Medial [D] PW DTI, MV Medial E/E'	Ratio of MV Peak Velocity to LV Peak Tissue Velocity E-Wave (SRT, G-037B)	Finding Site: Medial Mitral Annulus (SRT, G-0391)
X	X	[Ao] Aortic Valve: LVOT VTI	Velocity Time Integral (LN, 20354-7)	Finding Site: Left Ventricle Outflow Tract (SRT, T-32650)
Measurements of Image Mode: Doppler Color Flow (SRT, R-409E2)				
	X	[P] LVOT Aliasing Velocity	Alias velocity (LN, 59130-5)	Finding Site: Left Ventricle Outflow Tract (SRT, T-32650)
	X	[P] LVOT PISA Radius	Flow Radius (LN, 59102-4)	Finding Site: Left Ventricle Outflow Tract (SRT, T-32650) Measurement Method: Proximal Isovelocity Surface Area (DCM, 125216)
Measurements of Image Mode: Doppler Pulsed (SRT, R-409E4)				
	X	[MV] MV E' Lateral [D] PW DTI, MV Lateral: E'	Left Ventricular Peak Early Diastolic Tissue Velocity (SRT, G-037A)	Finding Site: Lateral Mitral Annulus (SRT, G-0392)
	X	[MV] MV E' Medial [D] PW DTI, MV Medial E'	Left Ventricular Peak Early Diastolic Tissue Velocity (SRT, G-037A)	Finding Site: Medial Mitral Annulus (SRT, G-0391)
	X	[MV] MV S' Lateral [D] PW DTI, MV Lateral: S'	Left Ventricular Peak Systolic Tissue Velocity (SRT, G-037D)	Finding Site: Lateral Mitral Annulus (SRT, G-0392)
	X	[MV] MV S' Medial [D] PW DTI, MV Medial S'	Left Ventricular Peak Systolic Tissue Velocity (SRT, G-037D)	Finding Site: Medial Mitral Annulus (SRT, G-0391)
	X	[MV] MV A' Lateral [D] PW DTI, MV Lateral: A'	LV Peak Diastolic Tissue Velocity During Atrial Systole (SRT, G-037C)	Finding Site: Lateral Mitral Annulus (SRT, G-0392)
	X	[MV] MV A' Medial [D] PW DTI, MV Medial A'	LV Peak Diastolic Tissue Velocity During Atrial Systole (SRT, G-037C)	Finding Site: Medial Mitral Annulus (SRT, G-0391)

HR	Mean	Label	Code Meaning (Coding Scheme Designator, Code Value)	Modifiers
Measurements of Image Mode: M mode (SRT, G-0394)				
		[M] LV CI	Cardiac Index (SRT, F-32110)	Index: Body Surface Area (LN, 8277-6)
		[M] LV CO	Cardiac Output (SRT, F-32100)	
	X	[M] LVOT Diam s	Cardiovascular Orifice Diameter (SRT, G-038F)	Finding Site: Left Ventricle Outflow Tract (SRT, T-32650) Cardiac Cycle Point: Systole (SRT, F-32020)
		[M] Wall Stress Circum	Circumferential Wall Stress (99SIEMENS, WScircum)	
		[M] LV PEP corrected HR	Composite heart rate for LV Pre-ejection Period, corrected (99SIEMENS, LVHRPEPcorr)	
		[M] LV HR	Composite heart rate for M-mode LV CO (99SIEMENS, LVHRCOMmode)	
		[M] LV ET HR	Composite heart rate for M-Mode LV Ejection Time (99SIEMENS, LVHRETMmode)	
		[M] Mean VCFc HR	Composite HR for Mean Velocity of Circumferential, corrected (99SIEMENS, LVHRmeanVcfc)	
		[M] EPSS/LVID d	EPSS to Diastolic LVID Ratio (99SIEMENS, RATIOepss_lvidd)	
		[M] LV ET corrected	Heart Rate-Corrected Ejection Time (LN, 59086-9)	
		[M] LV PEP corrected	Heart Rate-Corrected Pre-Ejection Period (LN, 59087-7)	
		[M] Mean VCFc	HR-Corrected Mean Velocity of Circumferential Fiber Shortening (LN, 59118-0)	
		[M] IVS %Thick	Interventricular Septum % Thickening (LN, 18054-7)	
	X	[M] IVS d	Interventricular Septum Diastolic Thickness (LN, 18154-5)	
	X	[M] IVS s	Interventricular Septum Systolic Thickness (LN, 18158-6)	
		[M] IVS/LVPW	Interventricular Septum to Posterior Wall Thickness Ratio (LN, 18155-2)	
X	X	[M] LVID d	Left Ventricle Internal End Diastolic Dimension (LN, 29436-3)	
X	X	[M] LVID s	Left Ventricle Internal Systolic Dimension (LN, 29438-9)	
		[M] LV Mass	Left Ventricle Mass (LN, 18087-7)	
		[M] LV Mass/BSA	Left Ventricle Mass (LN, 18087-7)	Index: Body Surface Area (LN, 8277-6)

HR	Mean	Label	Code Meaning (Coding Scheme Designator, Code Value)	Modifiers
		[M] LV Mass/Ht	Left Ventricle Mass (LN, 18087-7)	Index: Patient Height (LN, 8302-2)
		[M] Wall Stress Merid	Left Ventricle Meridional Wall Stress (LN, 59097-6)	
		[M] LVPW %Thick	Left Ventricle Posterior Wall % Thickening (LN, 18053-9)	
	X	[M] LVPW d	Left Ventricle Posterior Wall Diastolic Thickness (LN, 18152-9)	
	X	[M] LVPW s	Left Ventricle Posterior Wall Systolic Thickness (LN, 18156-0)	
		[M] LV EF	Left Ventricular Ejection Fraction (LN, 18043-0)	
X	X	[M] LV ET	Left Ventricular ejection time (DCM, 122211)	
		[M] LV Vol d	Left Ventricular End Diastolic Volume (LN, 18026-5)	
		[M] LV Vol s	Left Ventricular End Systolic Volume (LN, 18148-7)	
		[M] LV %FS	Left Ventricular Fractional Shortening (LN, 18051-3)	
	X	[M] PE Diam	Pericardial Effusion Diameter (99SIEMENS, DiamPE)	
X	X	[M] LV PEP	Pre-Ejection Period (LN, 59085-1)	
		[M] LV PEP/ET	Pre-Ejection Period/Ejection Time Ratio (LN, 59088-5)	
		[M] LV SI	Stroke Index (SRT, F-00078)	Index: Body Surface Area (LN, 8277-6)
		[M] LV SV	Stroke Volume (SRT, F-32120)	
	X	[M] LV Inflow Vp	Velocity of Flow Propagation (LN, 59115-6)	

9.1.3 Right Ventricle

HR	Mean	Label	Code Meaning (Coding Scheme Designator, Code Value)	Modifiers
Right Ventricle			Container: Findings (DCM, 121070)	Finding Site: Right Ventricle (SRT, T-32500)
Measurements of Image Mode: 2D mode (SRT, G-03A2)				
	X	[V] MOD, A4C d: RV Area	Area (SRT, G-A166)	Measurement Method: Method of Disks, Single Plane (DCM, 125208) Cardiac Cycle Point: Diastole (SRT, F-32010) Image View: Apical four chamber (SRT, G-A19C)

HR	Mean	Label	Code Meaning (Coding Scheme Designator, Code Value)	Modifiers
	X	[V] MOD, A4C s: RV Area	Area (SRT, G-A166)	Measurement Method: Method of Disks, Single Plane (DCM, 125208) Cardiac Cycle Point: Systole (SRT, F-32020) Image View: Apical four chamber (SRT, G-A19C)
		[RV] RVOT Area	Cardiovascular Orifice Area (SRT, G-038E)	Finding Site: Right Ventricle Outflow Tract (SRT, T-32550)
X	X	[RV] RVOT Diam s	Cardiovascular Orifice Diameter (SRT, G-038F)	Finding Site: Right Ventricle Outflow Tract (SRT, T-32550) Cardiac Cycle Point: Systole (SRT, F-32020)
	X	[RV] RVOT Diam s SCLAX	Cardiovascular Orifice Diameter (SRT, G-038F)	Finding Site: Right Ventricle Outflow Tract (SRT, T-32550) Cardiac Cycle Point: Systole (SRT, F-32020) Image View: Subcostal long axis (SRT, G-039E)
X	X	[RV] RV Major d A4C [V] MOD, A4C d: RV Major	Major Axis (SRT, G-A193)	Cardiac Cycle Point: Diastole (SRT, F-32010) Image View: Apical four chamber (SRT, G-A19C)
X	X	[RV] RV Major s A4C [V] MOD, A4C s: RV Major	Major Axis (SRT, G-A193)	Cardiac Cycle Point: Systole (SRT, F-32020) Image View: Apical four chamber (SRT, G-A19C)
X	X	[RV] RV Minor d A4C	Minor Axis (SRT, G-A194)	Cardiac Cycle Point: Diastole (SRT, F-32010) Image View: Apical four chamber (SRT, G-A19C)
X	X	[RV] RV Minor s A4C	Minor Axis (SRT, G-A194)	Cardiac Cycle Point: Systole (SRT, F-32020) Image View: Apical four chamber (SRT, G-A19C)
	X	[RV] RVAW d PLAX	Right Ventricular Anterior Wall Diastolic Thickness (LN, 18153-7)	Image View: Parasternal long axis (SRT, G-0396)
	X	[RV] RVAW s PLAX	Right Ventricular Anterior Wall Systolic Thickness (LN, 18157-8)	Image View: Parasternal long axis (SRT, G-0396)
		[V] RV MOD, A4C: RV %FAC	Right Ventricular Fractional Area Change (99SIEMENS, RVFAC)	Image View: Apical four chamber (SRT, G-A19C)
	X	[RV] RVD d PLAX	Right Ventricular Internal Diastolic Dimension (LN, 20304-2)	Image View: Parasternal long axis (SRT, G-0396)
	X	[RV] RVD s PLAX	Right Ventricular Internal Systolic Dimension (LN, 20305-9)	Image View: Parasternal long axis (SRT, G-0396)
		[V] RV MOD, A4C: RV EF	RV Ejection Fraction (LN, 10231-9)	Measurement Method: Method of Disks, Single Plane (DCM, 125208) Image View: Apical four chamber (SRT, G-A19C)

HR	Mean	Label	Code Meaning (Coding Scheme Designator, Code Value)	Modifiers
		[Not shown]	Volume (SRT, G-D705)	Measurement Method: Method of Disks, Single Plane (DCM, 125208) Cardiac Cycle Point: Diastole (SRT, F-32010) Image View: Apical four chamber (SRT, G-A19C) Simpson Disk Number (99SIEMENS, SimpsonDiskNum): <n> where <n> = 0..19
		[Not shown]	Volume (SRT, G-D705)	Measurement Method: Method of Disks, Single Plane (DCM, 125208) Cardiac Cycle Point: Systole (SRT, F-32020) Image View: Apical four chamber (SRT, G-A19C) Simpson Disk Number (99SIEMENS, SimpsonDiskNum): <n> where <n> = 0..19
	X	[V] MOD, A4C d: RV Vol	Volume (SRT, G-D705)	Measurement Method: Method of Disks, Single Plane (DCM, 125208) Cardiac Cycle Point: Diastole (SRT, F-32010) Image View: Apical four chamber (SRT, G-A19C)
	X	[V] MOD, A4C s: RV Vol	Volume (SRT, G-D705)	Measurement Method: Method of Disks, Single Plane (DCM, 125208) Cardiac Cycle Point: Systole (SRT, F-32020) Image View: Apical four chamber (SRT, G-A19C)
Measurements are associated with CW and PW, so the image mode is not specified				
	X	[RV] Myocardial Performance Index: TV Close-Open Dur	Closure to Opening Time (LN, 59082-8)	
		[P] RVOT PISA	Flow Area (LN, 20226-7)	Finding Site: Right Ventricle Outflow Tract (SRT, T-32550) Measurement Method: Proximal Isovelocity Surface Area (DCM, 125216)
X	X	[RV] RV IVCT [D] TV Flow: RV IVCT	Isovolumic Contraction Time (LN, 59084-4)	
	X	[RV] RV IVRT [D] TV Flow: RV IVRT	Isovolumic Relaxation Time (LN, 59083-6)	
X	X	[RV] RVOT Mean Grad	Mean Gradient (LN, 20256-4)	Finding Site: Right Ventricle Outflow Tract (SRT, T-32550)
	X	[RV] RVOT Vmean	Mean Velocity (LN, 20352-1)	Finding Site: Right Ventricle Outflow Tract (SRT, T-32550)
		[RV] RVOT Peak Grad	Peak Gradient (LN, 20247-3)	Finding Site: Right Ventricle Outflow Tract (SRT, T-32550)

HR	Mean	Label	Code Meaning (Coding Scheme Designator, Code Value)	Modifiers
		[P] RVOT Inst Flow Rate	Peak Instantaneous Flow Rate (LN, 34141-2)	Finding Site: Right Ventricle Outflow Tract (SRT, T-32550) Measurement Method: Proximal Isovelocity Surface Area (DCM, 125216) Flow Direction: Antegrade Flow (SRT, R-42047)
	X	[RV] RVOT Vmax	Peak Velocity (LN, 11726-7)	Finding Site: Right Ventricle Outflow Tract (SRT, T-32550)
		[RV] RV Free Wall: E/E' [D] PW DTI, RV Free Wall: E/E'	Ratio of TV E Vmax to RV Free Wall Ea (99SIEMENS, RatioRVEePrime)	
	X	[RV] Myocardial Performance Index: RVOT ET	Right Ventricular ejection time (DCM, 122213)	Finding Site: Right Ventricle Outflow Tract (SRT, T-32550)
		[RV] Myocardial Performance Index: RV MPI	Right Ventricular Index of Myocardial Performance (SRT, G-0381)	
		[RV] RVSP: RVSP (TR)	Right Ventricular Peak Systolic Pressure (SRT, G-0380)	Finding Site: Tricuspid Valve (SRT, T-35100) Flow Direction: Regurgitant Flow (SRT, R-42E61)
		[RV] RVSP: RVSP (VSD)	Right Ventricular Peak Systolic Pressure (SRT, G-0380)	Finding Site: Ventricular Septal Defect (SRT, D4-31150)
X	X	[RV] RVOT VTI	Velocity Time Integral (LN, 20354-7)	Finding Site: Right Ventricle Outflow Tract (SRT, T-32550)
Measurements of Image Mode: Doppler Color Flow (SRT, R-409E2)				
	X	[P] RVOT Aliasing Velocity	Alias velocity (LN, 59130-5)	Finding Site: Right Ventricle Outflow Tract (SRT, T-32550)
	X	[P] RVOT PISA Radius	Flow Radius (LN, 59102-4)	Finding Site: Right Ventricle Outflow Tract (SRT, T-32550) Measurement Method: Proximal Isovelocity Surface Area (DCM, 125216)
Measurements of Image Mode: Doppler Pulsed (SRT, R-409E4)				
	X	[RV] RV Free Wall: E' [D] PW DTI, RV Free Wall: E'	RV Free Wall Ea (99SIEMENS, RVEPrime)	
Measurements of Image Mode: M mode (SRT, G-0394)				
		[M] RV PEP corrected HR	Composite heart rate for RV Pre-ejection Period, corrected (99SIEMENS, RVHRPEPcorr)	
		[M] RV ET corrected	Heart Rate-Corrected Ejection Time (LN, 59086-9)	
		[M] RV PEP corrected	Heart Rate-Corrected Pre-Ejection Period (LN, 59087-7)	
X	X	[M] RV PEP	Pre-Ejection Period (LN, 59085-1)	
		[M] RV PEP/ET	Pre-Ejection Period/Ejection Time Ratio (LN, 59088-5)	

HR	Mean	Label	Code Meaning (Coding Scheme Designator, Code Value)	Modifiers
	X	[M] RVAW d	Right Ventricular Anterior Wall Diastolic Thickness (LN, 18153-7)	
	X	[M] RVAW s	Right Ventricular Anterior Wall Systolic Thickness (LN, 18157-8)	
X	X	[M] RV ET	Right Ventricular ejection time (DCM, 122213)	
	X	[M] RVD d	Right Ventricular Internal Diastolic Dimension (LN, 20304-2)	
	X	[M] RVD s	Right Ventricular Internal Systolic Dimension (LN, 20305-9)	
	X	[M] RV Inflow Vp	Velocity of Flow Propagation (LN, 59115-6)	

9.1.4 Left Atrium

HR	Mean	Label	Code Meaning (Coding Scheme Designator, Code Value)	Modifiers
Left Atrium			Container: Findings (DCM, 121070)	Finding Site: Left Atrium (SRT, T-32300)
Measurements of Image Mode: 2D mode (SRT, G-03A2)				
	X	[V] LA MOD, A2C d: LA Area	Area (SRT, G-A166)	Measurement Method: Method of Disks, Single Plane (DCM, 125208) Cardiac Cycle Point: Diastole (SRT, F-32010) Image View: Apical two chamber (SRT, G-A19B)
	X	[V] LA MOD, A4C d: LA Area	Area (SRT, G-A166)	Measurement Method: Method of Disks, Single Plane (DCM, 125208) Cardiac Cycle Point: Diastole (SRT, F-32010) Image View: Apical four chamber (SRT, G-A19C)
		[V] MOD, A2C: LA EF	Cardiac ejection fraction (SRT, F-32070)	Measurement Method: Method of Disks, Single Plane (DCM, 125208) Image View: Apical two chamber (SRT, G-A19B)
		[V] MOD, A4C: LA EF	Cardiac ejection fraction (SRT, F-32070)	Measurement Method: Method of Disks, Single Plane (DCM, 125208) Image View: Apical four chamber (SRT, G-A19C)
		[V] MOD, Biplane: LA EF	Cardiac ejection fraction (SRT, F-32070)	Measurement Method: Method of Disks, Biplane (DCM, 125207)
		[LA] Ao d/LA s	End Diastolic Aortic Root to End Systolic Left Atrium Ratio (99SIEMENS, RATIOaod_las)	

HR	Mean	Label	Code Meaning (Coding Scheme Designator, Code Value)	Modifiers
	X	[LA] LA s A-P	Left Atrium Antero-posterior Systolic Dimension (LN, 29469-4)	
	X	[V] LA MOD, A2C s: LA Area	Left Atrium Systolic Area (LN, 17977-0)	Measurement Method: Method of Disks, Single Plane (DCM, 125208) Image View: Apical two chamber (SRT, G-A19B)
	X	[V] LA MOD, A4C s: LA Area	Left Atrium Systolic Area (LN, 17977-0)	Measurement Method: Method of Disks, Single Plane (DCM, 125208) Image View: Apical four chamber (SRT, G-A19C)
		[Not shown]	Left Atrium Systolic Volume (SRT, G-0383)	Measurement Method: Method of Disks, Single Plane (DCM, 125208) Image View: Apical two chamber (SRT, G-A19B) Simpson Disk Number (99SIEMENS, SimpsonDiskNum): <n> where <n> = 0..19
		[Not shown]	Left Atrium Systolic Volume (SRT, G-0383)	Measurement Method: Method of Disks, Single Plane (DCM, 125208) Image View: Apical four chamber (SRT, G-A19C) Simpson Disk Number (99SIEMENS, SimpsonDiskNum): <n> where <n> = 0..19
		[V] Area-Length, A2C s: LA Vol	Left Atrium Systolic Volume (SRT, G-0383)	Measurement Method: Area-Length Single Plane (DCM, 125205) Image View: Apical two chamber (SRT, G-A19B)
		[V] Area-Length, A2C s: LA Vol/BSA	Left Atrium Systolic Volume (SRT, G-0383)	Measurement Method: Area-Length Single Plane (DCM, 125205) Image View: Apical two chamber (SRT, G-A19B) Index: Body Surface Area (LN, 8277-6)
		[V] Area-Length, A4C s: LA Vol	Left Atrium Systolic Volume (SRT, G-0383)	Measurement Method: Area-Length Single Plane (DCM, 125205) Image View: Apical four chamber (SRT, G-A19C)
		[V] Area-Length, A4C s: LA Vol/BSA	Left Atrium Systolic Volume (SRT, G-0383)	Measurement Method: Area-Length Single Plane (DCM, 125205) Image View: Apical four chamber (SRT, G-A19C) Index: Body Surface Area (LN, 8277-6)
		[V] Area-Length, Biplane s: LA Vol	Left Atrium Systolic Volume (SRT, G-0383)	Measurement Method: Area-Length Biplane (DCM, 125204)
		[V] Area-Length, Biplane s: LA Vol/BSA	Left Atrium Systolic Volume (SRT, G-0383)	Measurement Method: Area-Length Biplane (DCM, 125204) Index: Body Surface Area (LN, 8277-6)

HR	Mean	Label	Code Meaning (Coding Scheme Designator, Code Value)	Modifiers
	X	[V] LA MOD, A2C s: LA Vol	Left Atrium Systolic Volume (SRT, G-0383)	Measurement Method: Method of Disks, Single Plane (DCM, 125208) Image View: Apical two chamber (SRT, G-A19B)
	X	[V] LA MOD, A4C s: LA Vol	Left Atrium Systolic Volume (SRT, G-0383)	Measurement Method: Method of Disks, Single Plane (DCM, 125208) Image View: Apical four chamber (SRT, G-A19C)
		[V] LA MOD, Biplane s: LA Vol	Left Atrium Systolic Volume (SRT, G-0383)	Measurement Method: Method of Disks, Biplane (DCM, 125207)
		[LA] LA s/Ao d	Left Atrium to Aortic Root Ratio (LN, 17985-3)	
X	X	[LA] Diastole: Major Diam A2C [V] LA MOD, A2C d: Major Axis	Major Axis (SRT, G-A193)	Cardiac Cycle Point: Diastole (SRT, F-32010) Image View: Apical two chamber (SRT, G-A19B)
X	X	[LA] Diastole: Major Diam A4C [V] LA MOD, A4C d: Major Axis	Major Axis (SRT, G-A193)	Cardiac Cycle Point: Diastole (SRT, F-32010) Image View: Apical four chamber (SRT, G-A19C)
X	X	[LA] Diastole: Major Diam PLAX	Major Axis (SRT, G-A193)	Cardiac Cycle Point: Diastole (SRT, F-32010) Image View: Parasternal long axis (SRT, G-0396)
X	X	[LA] Systole: Major Diam A2C [V] LA MOD, A2C s: Major Axis	Major Axis (SRT, G-A193)	Cardiac Cycle Point: Systole (SRT, F-32020) Image View: Apical two chamber (SRT, G-A19B)
X	X	[LA] Systole: Major Diam A4C [V] LA MOD, A4C s: Major Axis	Major Axis (SRT, G-A193)	Cardiac Cycle Point: Systole (SRT, F-32020) Image View: Apical four chamber (SRT, G-A19C)
X	X	[LA] Systole: Major Diam PLAX	Major Axis (SRT, G-A193)	Cardiac Cycle Point: Systole (SRT, F-32020) Image View: Parasternal long axis (SRT, G-0396)
X	X	[LA] Diastole: Minor Diam A4C	Minor Axis (SRT, G-A194)	Cardiac Cycle Point: Diastole (SRT, F-32010) Image View: Apical four chamber (SRT, G-A19C)
X	X	[LA] Systole: Minor Diam A4C	Minor Axis (SRT, G-A194)	Cardiac Cycle Point: Systole (SRT, F-32020) Image View: Apical four chamber (SRT, G-A19C)
		[Not shown]	Volume (SRT, G-D705)	Measurement Method: Method of Disks, Single Plane (DCM, 125208) Cardiac Cycle Point: Diastole (SRT, F-32010) Image View: Apical two chamber (SRT, G-A19B) Simpson Disk Number (99SIEMENS, SimpsonDiskNum): <n> where <n> = 0..19

HR	Mean	Label	Code Meaning (Coding Scheme Designator, Code Value)	Modifiers
		[Not shown]	Volume (SRT, G-D705)	Measurement Method: Method of Disks, Single Plane (DCM, 125208) Cardiac Cycle Point: Diastole (SRT, F-32010) Image View: Apical four chamber (SRT, G-A19C) Simpson Disk Number (99SIEMENS, SimpsonDiskNum): <n> where <n> = 0..19
		[V] Area-Length, A2C d: LA Vol	Volume (SRT, G-D705)	Measurement Method: Area-Length Single Plane (DCM, 125205) Cardiac Cycle Point: Diastole (SRT, F-32010) Image View: Apical two chamber (SRT, G-A19B)
		[V] Area-Length, A2C d: LA Vol/BSA	Volume (SRT, G-D705)	Measurement Method: Area-Length Single Plane (DCM, 125205) Cardiac Cycle Point: Diastole (SRT, F-32010) Image View: Apical two chamber (SRT, G-A19B) Index: Body Surface Area (LN, 8277-6)
		[V] Area-Length, A4C d: LA Vol	Volume (SRT, G-D705)	Measurement Method: Area-Length Single Plane (DCM, 125205) Cardiac Cycle Point: Diastole (SRT, F-32010) Image View: Apical four chamber (SRT, G-A19C)
		[V] Area-Length, A4C d: LA Vol/BSA	Volume (SRT, G-D705)	Measurement Method: Area-Length Single Plane (DCM, 125205) Cardiac Cycle Point: Diastole (SRT, F-32010) Image View: Apical four chamber (SRT, G-A19C) Index: Body Surface Area (LN, 8277-6)
		[V] Area-Length, Biplane d: LA Vol	Volume (SRT, G-D705)	Measurement Method: Area-Length Biplane (DCM, 125204) Cardiac Cycle Point: Diastole (SRT, F-32010)
		[V] Area-Length, Biplane d: LA Vol/BSA	Volume (SRT, G-D705)	Measurement Method: Area-Length Biplane (DCM, 125204) Cardiac Cycle Point: Diastole (SRT, F-32010) Index: Body Surface Area (LN, 8277-6)
	X	[V] LA MOD, A2C d: LA Vol	Volume (SRT, G-D705)	Measurement Method: Method of Disks, Single Plane (DCM, 125208) Cardiac Cycle Point: Diastole (SRT, F-32010) Image View: Apical two chamber (SRT, G-A19B)

HR	Mean	Label	Code Meaning (Coding Scheme Designator, Code Value)	Modifiers
	X	[V] LA MOD, A4C d: LA Vol	Volume (SRT, G-D705)	Measurement Method: Method of Disks, Single Plane (DCM, 125208) Cardiac Cycle Point: Diastole (SRT, F-32010) Image View: Apical four chamber (SRT, G-A19C)
		[V] LA MOD, Biplane d: LA Vol	Volume (SRT, G-D705)	Measurement Method: Method of Disks, Biplane (DCM, 125207) Cardiac Cycle Point: Diastole (SRT, F-32010)
Measurements of Image Mode: M mode (SRT, G-0394)				
	X	[M] LA Diam d	Diameter (SRT, M-02550)	Cardiac Cycle Point: Diastole (SRT, F-32010)
		[M] Ao d/LA s	End Diastolic Aortic Root to End Systolic Left Atrium Ratio (99SIEMENS, RATIOaod_las)	
	X	[M] LA Diam s	Left Atrium Antero-posterior Systolic Dimension (LN, 29469-4)	
		[M] LA s/Ao d	Left Atrium to Aortic Root Ratio (LN, 17985-3)	

9.1.5 Right Atrium

HR	Mean	Label	Code Meaning (Coding Scheme Designator, Code Value)	Modifiers
Right Atrium			Container: Findings (DCM, 121070)	Finding Site: Right Atrium (SRT, T-32200)
Measurements of Image Mode: 2D mode (SRT, G-03A2)				
	X	[V] RA MOD, A4C d: RA Area	Area (SRT, G-A166)	Measurement Method: Method of Disks, Single Plane (DCM, 125208) Cardiac Cycle Point: Diastole (SRT, F-32010) Image View: Apical four chamber (SRT, G-A19C)
X	X	[RA] Diastole: Major Diam A4C [V] MOD, A4C d: RA Major	Major Axis (SRT, G-A193)	Cardiac Cycle Point: Diastole (SRT, F-32010) Image View: Apical four chamber (SRT, G-A19C)
X	X	[RA] Systole: Major Diam A4C [V] MOD, A4C s: RA Major	Major Axis (SRT, G-A193)	Cardiac Cycle Point: Systole (SRT, F-32020) Image View: Apical four chamber (SRT, G-A19C)
X	X	[RA] Diastole: Minor Diam A4C	Minor Axis (SRT, G-A194)	Cardiac Cycle Point: Diastole (SRT, F-32010) Image View: Apical four chamber (SRT, G-A19C)
X	X	[RA] Systole: Minor Diam A4C	Minor Axis (SRT, G-A194)	Cardiac Cycle Point: Systole (SRT, F-32020) Image View: Apical four chamber (SRT, G-A19C)

HR	Mean	Label	Code Meaning (Coding Scheme Designator, Code Value)	Modifiers
	X	[V] MOD, A4C s: RA Area	Right Atrium Systolic Area (LN, 17988-7)	Measurement Method: Method of Disks, Single Plane (DCM, 125208) Image View: Apical four chamber (SRT, G-A19C)
	X	[RV] RVSP: RA Pressure	Right Atrium Systolic Pressure (LN, 18070-3)	
		[Not shown]	Volume (SRT, G-D705)	Measurement Method: Method of Disks, Single Plane (DCM, 125208) Cardiac Cycle Point: Diastole (SRT, F-32010) Image View: Apical four chamber (SRT, G-A19C) Simpson Disk Number (99SIEMENS, SimpsonDiskNum): <n> where <n> = 0..19
		[Not shown]	Volume (SRT, G-D705)	Measurement Method: Method of Disks, Single Plane (DCM, 125208) Cardiac Cycle Point: Systole (SRT, F-32020) Image View: Apical four chamber (SRT, G-A19C) Simpson Disk Number (99SIEMENS, SimpsonDiskNum): <n> where <n> = 0..19
	X	[V] MOD, A4C d: RA Vol	Volume (SRT, G-D705)	Measurement Method: Method of Disks, Single Plane (DCM, 125208) Cardiac Cycle Point: Diastole (SRT, F-32010) Image View: Apical four chamber (SRT, G-A19C)
	X	[V] MOD, A4C s: RA Vol	Volume (SRT, G-D705)	Measurement Method: Method of Disks, Single Plane (DCM, 125208) Cardiac Cycle Point: Systole (SRT, F-32020) Image View: Apical four chamber (SRT, G-A19C)
		[V] RA A-L, A4C d: RA Vol	Volume (SRT, G-D705)	Measurement Method: Area-Length Single Plane (DCM, 125205) Cardiac Cycle Point: Diastole (SRT, F-32010) Image View: Apical four chamber (SRT, G-A19C)
		[V] RA A-L, A4C d: RA Vol/BSA	Volume (SRT, G-D705)	Measurement Method: Area-Length Single Plane (DCM, 125205) Cardiac Cycle Point: Diastole (SRT, F-32010) Image View: Apical four chamber (SRT, G-A19C) Index: Body Surface Area (LN, 8277-6)

HR	Mean	Label	Code Meaning (Coding Scheme Designator, Code Value)	Modifiers
		[V] RA A-L, A4C s: RA Vol	Volume (SRT, G-D705)	Measurement Method: Area-Length Single Plane (DCM, 125205) Cardiac Cycle Point: Systole (SRT, F-32020) Image View: Apical four chamber (SRT, G-A19C)
		[V] RA A-L, A4C s: RA Vol/BSA	Volume (SRT, G-D705)	Measurement Method: Area-Length Single Plane (DCM, 125205) Cardiac Cycle Point: Systole (SRT, F-32020) Image View: Apical four chamber (SRT, G-A19C) Index: Body Surface Area (LN, 8277-6)

9.1.6 Aortic Valve

HR	Mean	Label	Code Meaning (Coding Scheme Designator, Code Value)	Modifiers
Aortic Valve			Container: Findings (DCM, 121070)	Finding Site: Aortic Valve (SRT, T-35400)
Measurements of Image Mode: 2D mode (SRT, G-03A2)				
	X	[Ao] Aortic Valve: AoV Area Planim	Cardiovascular Orifice Area (SRT, G-038E)	Measurement Method: Planimetry (DCM, 125220)
X	X	[Ao] Aortic Valve: AoV Annulus Diam	Cardiovascular Orifice Diameter (SRT, G-038F)	Finding Site: Aortic Valve Ring (SRT, T-35410)
	X	[Ao] AR Jet/LVOT: LVOT Height	LVOT Height (99SIEMENS, LvotHeight)	
Measurements are associated with CW and PW, so the image mode is not specified				
X	X	[Ao] Aortic Valve: AoV Accel Slope	Acceleration Slope (LN, 20167-3)	
X	X	[Ao] Aortic Valve: AoV AT	Acceleration Time (LN, 20168-1)	
X	X	[Ao] Aortic Valve: AoV ET	Aortic Valve Ejection Time (LN, 18041-4)	
		[Ao] Aortic Valve: AoV Area Vmax	Area (SRT, G-A166)	Measurement Method: Continuity Equation by Peak Velocity (DCM, 125214)
		[Ao] Aortic Valve: AoV Area VTI	Area (SRT, G-A166)	Measurement Method: Continuity Equation by Velocity Time Integral (DCM, 125215)
		[Ao] Aortic Valve: AoV Area Vmean	Cardiovascular Orifice Area (SRT, G-038E)	Measurement Method: Continuity Equation by Mean Velocity (DCM, 125213)
		[Ao] Aortic Valve: AoV Area/BSA (Vmax)	Cardiovascular Orifice Area (SRT, G-038E)	Measurement Method: Continuity Equation by Peak Velocity (DCM, 125214) Index: Body Surface Area (LN, 8277-6)

HR	Mean	Label	Code Meaning (Coding Scheme Designator, Code Value)	Modifiers
		[Ao] Aortic Valve: Aov Area/BSA (Vmean)	Cardiovascular Orifice Area (SRT, G-038E)	Measurement Method: Continuity Equation by Mean Velocity (DCM, 125213) Index: Body Surface Area (LN, 8277-6)
		[Ao] Aortic Valve: AoV Area/BSA (VTI)	Cardiovascular Orifice Area (SRT, G-038E)	Measurement Method: Continuity Equation by Velocity Time Integral (DCM, 125215) Index: Body Surface Area (LN, 8277-6)
		[P] AoV Area PISA	Cardiovascular Orifice Area (SRT, G-038E)	Measurement Method: Proximal Isovelocity Surface Area (DCM, 125216) Flow Direction: Antegrade Flow (SRT, R-42047)
		[P] AoV Area/BSA (PISA)	Cardiovascular Orifice Area (SRT, G-038E)	Measurement Method: Proximal Isovelocity Surface Area (DCM, 125216) Flow Direction: Antegrade Flow (SRT, R-42047) Index: Body Surface Area (LN, 8277-6)
		[P] AR EROA	Cardiovascular Orifice Area (SRT, G-038E)	Measurement Method: Proximal Isovelocity Surface Area (DCM, 125216) Flow Direction: Regurgitant Flow (SRT, R-42E61)
	X	[Ao] Aortic Valve: AR Slope	Deceleration Slope (LN, 20216-8)	Flow Direction: Regurgitant Flow (SRT, R-42E61)
	X	[Ao] Aortic Valve: AR DT	Deceleration Time (LN, 20217-6)	Flow Direction: Regurgitant Flow (SRT, R-42E61)
X	X	[Ao] Aortic Valve: AR ED Velocity	End Diastolic Velocity (LN, 11653-3)	Flow Direction: Regurgitant Flow (SRT, R-42E61)
		[P] AR PISA	Flow Area (LN, 20226-7)	Measurement Method: Proximal Isovelocity Surface Area (DCM, 125216) Flow Direction: Regurgitant Flow (SRT, R-42E61)
X	X	[Ao] Aortic Valve: AoV Mean Grad	Mean Gradient (LN, 20256-4)	
X	X	[Ao] Aortic Valve: AoV Vmean	Mean Velocity (LN, 20352-1)	
		[Ao] Aortic Valve: AoV Peak Grad	Peak Gradient (LN, 20247-3)	
		[Ao] Aortic Valve: AR ED Grad	Peak Gradient (LN, 20247-3)	Flow Direction: Regurgitant Flow (SRT, R-42E61) Cardiac Cycle Point: End Diastole (SRT, F-32011)
		[P] AR Inst Flow Rate	Peak Instantaneous Flow Rate (LN, 34141-2)	Measurement Method: Proximal Isovelocity Surface Area (DCM, 125216) Flow Direction: Regurgitant Flow (SRT, R-42E61)
X	X	[Ao] Aortic Valve: AoV Vmax [P] AoV Vmax	Peak Velocity (LN, 11726-7)	

HR	Mean	Label	Code Meaning (Coding Scheme Designator, Code Value)	Modifiers
	X	[Ao] Aortic Valve: AR Vmax [P] AR Vmax [3DP] Average: AR Vmax	Peak Velocity (LN, 11726-7)	Flow Direction: Regurgitant Flow (SRT, R-42E61)
		[Ao] Aortic Valve: AR PHT	Pressure Half-Time (LN, 20280-4)	Flow Direction: Regurgitant Flow (SRT, R-42E61)
		[Ao] Aortic Valve: AoV AT/ET	Ratio of Aortic Valve Acceleration Time to Ejection Time (SRT, G-0382)	
X	X	[Ao] Aortic Valve: AoV VTI	Velocity Time Integral (LN, 20354-7)	
	X	[Ao] AR VTI [P] AR VTI [3DP] Average: AR VTI	Velocity Time Integral (LN, 20354-7)	Flow Direction: Regurgitant Flow (SRT, R-42E61)
		[P] AR Volume	Volume Flow (LN, 33878-0)	Measurement Method: Proximal Isovelocity Surface Area (DCM, 125216) Flow Direction: Regurgitant Flow (SRT, R-42E61)
Measurements of Image Mode: Doppler Color Flow (SRT, R-409E2)				
	X	[P] AR Aliasing Velocity	Alias velocity (LN, 59130-5)	Flow Direction: Regurgitant Flow (SRT, R-42E61)
		[Ao] AR Jet/LVOT: AR Jet Area/LVOT Area	AR Jet Area/LVOT Area Ratio (99SIEMENS, RATIOara_lvot)	
	X	[Ao] AR Jet/LVOT: AR Jet Height	AR Jet Height (99SIEMENS, ARJetHeight)	
		[Ao] AR Jet/LVOT: AR Jet Ht/LVOT Ht	AR Jet Height/LVOT Height Ratio (99SIEMENS, RATIOarht_lvot)	
	X	[P] AR PISA Radius	Flow Radius (LN, 59102-4)	Measurement Method: Proximal Isovelocity Surface Area (DCM, 125216) Flow Direction: Regurgitant Flow (SRT, R-42E61)
	X	[Ao] AR Jet/LVOT: AR Jet Area	Jet Area (LN, 59123-0)	Flow Direction: Regurgitant Flow (SRT, R-42E61)
Measurements of Image Mode: M mode (SRT, G-0394)				
	X	[M] AoV Cusp Sep	Aortic Valve Cusp Separation (LN, 17996-0)	

9.1.7 Mitral Valve

HR	Mean	Label	Code Meaning (Coding Scheme Designator, Code Value)	Modifiers
		Mitral Valve	Container: Findings (DCM, 121070)	Finding Site: Mitral Valve (SRT, T-35300)
Measurements of Image Mode: 2D mode (SRT, G-03A2)				
	X	[MV] MV Area Planim	Cardiovascular Orifice Area (SRT, G-038E)	Measurement Method: Planimetry (DCM, 125220)
	X	[MV] Diastole: MV Annulus A2C	Cardiovascular Orifice Diameter (SRT, G-038F)	Finding Site: Mitral Annulus (SRT, T-35313) Cardiac Cycle Point: Diastole (SRT, F-32010) Image View: Apical two chamber (SRT, G-A19B)
	X	[MV] Diastole: MV Annulus A4C	Cardiovascular Orifice Diameter (SRT, G-038F)	Finding Site: Mitral Annulus (SRT, T-35313) Cardiac Cycle Point: Diastole (SRT, F-32010) Image View: Apical four chamber (SRT, G-A19C)
	X	[MV] Diastole: MV Annulus PLAX	Cardiovascular Orifice Diameter (SRT, G-038F)	Finding Site: Mitral Annulus (SRT, T-35313) Cardiac Cycle Point: Diastole (SRT, F-32010) Image View: Parasternal long axis (SRT, G-0396)
	X	[MV] MV Annulus d A-P	Cardiovascular Orifice Diameter (SRT, G-038F)	Finding Site: Mitral Annulus (SRT, T-35313) Cardiac Cycle Point: Diastole (SRT, F-32010) Image View: Parasternal long axis (SRT, G-0396)
	X	[MV] MV Diam A-P	Cardiovascular Orifice Diameter (SRT, G-038F)	Image View: Parasternal long axis (SRT, G-0396)
	X	[MV] MV Diam M-L	Cardiovascular Orifice Diameter (SRT, G-038F)	Image View: Apical four chamber (SRT, G-A19C)
	X	[MV] Systole: MV Annulus A2C	Cardiovascular Orifice Diameter (SRT, G-038F)	Finding Site: Mitral Annulus (SRT, T-35313) Cardiac Cycle Point: Systole (SRT, F-32020) Image View: Apical two chamber (SRT, G-A19B)
	X	[MV] Systole: MV Annulus A4C	Cardiovascular Orifice Diameter (SRT, G-038F)	Finding Site: Mitral Annulus (SRT, T-35313) Cardiac Cycle Point: Systole (SRT, F-32020) Image View: Apical four chamber (SRT, G-A19C)
	X	[MV] Systole: MV Annulus PLAX	Cardiovascular Orifice Diameter (SRT, G-038F)	Finding Site: Mitral Annulus (SRT, T-35313) Cardiac Cycle Point: Systole (SRT, F-32020) Image View: Parasternal long axis (SRT, G-0396)
Measurements are associated with CW and PW, so the image mode is not specified				
X	X	[MV] MV Accel Slope	Acceleration Slope (LN, 20167-3)	
X	X	[MV] MV AT	Acceleration Time (LN, 20168-1)	
		[MV] MV Area PHT	Cardiovascular Orifice Area (SRT, G-038E)	Measurement Method: Area by Pressure Half-Time (DCM, 125210)

HR	Mean	Label	Code Meaning (Coding Scheme Designator, Code Value)	Modifiers
		[P] MR EROA	Cardiovascular Orifice Area (SRT, G-038E)	Measurement Method: Proximal Isovelocity Surface Area (DCM, 125216) Flow Direction: Regurgitant Flow (SRT, R-42E61)
		[P] MV Area PISA	Cardiovascular Orifice Area (SRT, G-038E)	Measurement Method: Proximal Isovelocity Surface Area (DCM, 125216) Flow Direction: Antegrade Flow (SRT, R-42047)
		[P] MV Area/BSA (PISA)	Cardiovascular Orifice Area (SRT, G-038E)	Measurement Method: Proximal Isovelocity Surface Area (DCM, 125216) Flow Direction: Antegrade Flow (SRT, R-42047) Index: Body Surface Area (LN, 8277-6)
X	X	[MV] MV Decel Slope [D] MV Flow: MV Decel Slope	Deceleration Slope (LN, 20216-8)	
	X	[MV] MV DT [D] MV Flow: MV DT	Deceleration Time (LN, 20217-6)	
		[P] MR PISA	Flow Area (LN, 20226-7)	Measurement Method: Proximal Isovelocity Surface Area (DCM, 125216) Flow Direction: Regurgitant Flow (SRT, R-42E61)
		[P] MV PISA	Flow Area (LN, 20226-7)	Measurement Method: Proximal Isovelocity Surface Area (DCM, 125216) Flow Direction: Antegrade Flow (SRT, R-42047)
X	X	[MV] MR Mean Grad	Mean Gradient (LN, 20256-4)	Flow Direction: Regurgitant Flow (SRT, R-42E61)
X	X	[MV] MV Mean Grad Annulus	Mean Gradient (LN, 20256-4)	Finding Site: Mitral Annulus (SRT, T-35313)
X	X	[MV] MV Mean Grad Tips	Mean Gradient (LN, 20256-4)	
	X	[LV] LV dP/dt	Mitral Regurgitation dP/dt derived from Mitral Reg. velocity (LN, 18035-6)	
		[MV] MV A/E [D] MV Flow: MV A/E	Mitral Valve A to E Ratio (99SIEMENS, MVAtERatio)	
	X	[MV] MV A Dur [D] MV Flow: MV A Dur	Mitral Valve A-Wave Duration (SRT, G-0385)	
	X	[MV] MV A Vmax [D] MV Flow: MV A Vmax	Mitral Valve A-Wave Peak Velocity (LN, 17978-8)	
		[MV] MV E/A [D] MV Flow: MV E/A	Mitral Valve E to A Ratio (LN, 18038-0)	

HR	Mean	Label	Code Meaning (Coding Scheme Designator, Code Value)	Modifiers
	X	[MV] MV E Vmax [D] MV Flow: MV E Vmax	Mitral Valve E-Wave Peak Velocity (LN, 18037-2)	
		[MV] MR Peak Grad	Peak Gradient (LN, 20247-3)	Flow Direction: Regurgitant Flow (SRT, R-42E61)
		[MV] MV Peak Grad Annulus	Peak Gradient (LN, 20247-3)	Finding Site: Mitral Annulus (SRT, T-35313)
		[MV] MV Peak Grad Tips	Peak Gradient (LN, 20247-3)	
		[P] MR Inst Flow Rate	Peak Instantaneous Flow Rate (LN, 34141-2)	Measurement Method: Proximal Isovelocity Surface Area (DCM, 125216) Flow Direction: Regurgitant Flow (SRT, R-42E61)
		[P] MV Inst Flow Rate	Peak Instantaneous Flow Rate (LN, 34141-2)	Measurement Method: Proximal Isovelocity Surface Area (DCM, 125216) Flow Direction: Antegrade Flow (SRT, R-42047)
X	X	[MV] MR Vmax [P] MR Vmax [3DP] Average: MR Vmax	Peak Velocity (LN, 11726-7)	Flow Direction: Regurgitant Flow (SRT, R-42E61)
	X	[MV] MV Vmax Annulus	Peak Velocity (LN, 11726-7)	Finding Site: Mitral Annulus (SRT, T-35313)
	X	[MV] MV Vmax Tips [P] MV Vmax Tips	Peak Velocity (LN, 11726-7)	
		[MV] MV PHT	Pressure Half-Time (LN, 20280-4)	
		[MV] MV RF	Regurgitant Fraction (SRT, G-0390)	
		[MV] MV SV	Stroke Volume (SRT, F-32120)	
X	X	[MV] MR VTI [P] MR VTI [3DP] Average: MR VTI	Velocity Time Integral (LN, 20354-7)	Flow Direction: Regurgitant Flow (SRT, R-42E61)
X	X	[MV] MV VTI Annulus	Velocity Time Integral (LN, 20354-7)	Finding Site: Mitral Annulus (SRT, T-35313)
X	X	[MV] MV VTI Tips [D] MV Flow: MV VTI Tips	Velocity Time Integral (LN, 20354-7)	Finding Site: Leaflet Tips (99SIEMENS, LeafletTips)
		[MV] MV Regurg Vol	Volume (SRT, G-D705)	Flow Direction: Regurgitant Flow (SRT, R-42E61)
		[P] MR Volume	Volume Flow (LN, 33878-0)	Measurement Method: Proximal Isovelocity Surface Area (DCM, 125216) Flow Direction: Regurgitant Flow (SRT, R-42E61)
Measurements of Image Mode: Doppler Color Flow (SRT, R-409E2)				
	X	[P] MR Aliasing Velocity	Alias velocity (LN, 59130-5)	Flow Direction: Regurgitant Flow (SRT, R-42E61)

HR	Mean	Label	Code Meaning (Coding Scheme Designator, Code Value)	Modifiers
	X	[P] MV Aliasing Velocity	Alias velocity (LN, 59130-5)	Flow Direction: Antegrade Flow (SRT, R-42047)
	X	[P] MR PISA Radius	Flow Radius (LN, 59102-4)	Measurement Method: Proximal Isovelocity Surface Area (DCM, 125216) Flow Direction: Regurgitant Flow (SRT, R-42E61)
	X	[P] MV PISA Radius	Flow Radius (LN, 59102-4)	Measurement Method: Proximal Isovelocity Surface Area (DCM, 125216)
	X	[P] MV Funnel Angle	Funnel Angle (99SIEMENS, FunnelAngle)	
	X	[MV] MR Vena Contracta	Length (SRT, G-A22A)	Finding Site: Vena Contracta (SRT, R-421AA) Flow Direction: Regurgitant Flow (SRT, R-42E61)
Measurements of Image Mode: M mode (SRT, G-0394)				
	X	[M] CA Amp	Amplitude of C point to A point (99SIEMENS, MVCAmp)	
	X	[M] CE Amp	Amplitude of C point to E point (99SIEMENS, MVCEmp)	
	X	[M] DE Amp	Amplitude of D point to E point (99SIEMENS, MVDEmp)	
	X	[M] MV DE Slope	D-E Slope (LN, 59127-1)	
	X	[M] MAPSE	Mitral annular plane systolic excursion (99SIEMENS, MAPSE)	
	X	[M] MV DE Excursion	Mitral Valve D-E Excursion (LN, 17997-8)	
	X	[M] MV EF Slope	Mitral Valve E-F Slope by M-Mode (LN, 18040-6)	
	X	[M] MV EPSS	Mitral Valve EPSS, E wave (LN, 18036-4)	

9.1.8 Pulmonic Valve

HR	Mean	Label	Code Meaning (Coding Scheme Designator, Code Value)	Modifiers
Pulmonic Valve			Container: Findings (DCM, 121070)	Finding Site: Pulmonic Valve (SRT, T-35200)
Measurements of Image Mode: 2D mode (SRT, G-03A2)				
X	X	[PV] PV Annulus Diam	Cardiovascular Orifice Diameter (SRT, G-038F)	Finding Site: Pulmonic Valve Annulus (99SIEMENS, PVAnnulus)

HR	Mean	Label	Code Meaning (Coding Scheme Designator, Code Value)	Modifiers
	X	[PV] PV Annulus Diam s PSAX	Cardiovascular Orifice Diameter (SRT, G-038F)	Finding Site: Pulmonic Valve Annulus (99SIEMENS, PVAnnulus) Cardiac Cycle Point: Systole (SRT, F-32020) Image View: Parasternal short axis (SRT, G-0397)
Measurements are associated with CW and PW, so the image mode is not specified				
X	X	[PV] PV AT	Acceleration Time (LN, 20168-1)	
		[P] PR EROA	Cardiovascular Orifice Area (SRT, G-038E)	Measurement Method: Proximal Isovelocity Surface Area (DCM, 125216) Flow Direction: Regurgitant Flow (SRT, R-42E61)
		[P] PV Area PISA	Cardiovascular Orifice Area (SRT, G-038E)	Measurement Method: Proximal Isovelocity Surface Area (DCM, 125216) Flow Direction: Antegrade Flow (SRT, R-42047)
		[P] PV Area/BSA (PISA)	Cardiovascular Orifice Area (SRT, G-038E)	Measurement Method: Proximal Isovelocity Surface Area (DCM, 125216) Flow Direction: Antegrade Flow (SRT, R-42047) Index: Body Surface Area (LN, 8277-6)
	X	[PV] PR Slope	Deceleration Slope (LN, 20216-8)	Flow Direction: Regurgitant Flow (SRT, R-42E61)
	X	[PV] PR DT	Deceleration Time (LN, 20217-6)	Flow Direction: Regurgitant Flow (SRT, R-42E61)
X	X	[PV] PR ED Velocity	End Diastolic Velocity (LN, 11653-3)	Flow Direction: Regurgitant Flow (SRT, R-42E61)
		[P] PR PISA	Flow Area (LN, 20226-7)	Measurement Method: Proximal Isovelocity Surface Area (DCM, 125216) Flow Direction: Regurgitant Flow (SRT, R-42E61)
X	X	[PV] PV Mean Grad	Mean Gradient (LN, 20256-4)	
X	X	[PV] PV Vmean	Mean Velocity (LN, 20352-1)	
		[PV] PR ED Grad	Peak Gradient (LN, 20247-3)	Flow Direction: Regurgitant Flow (SRT, R-42E61) Cardiac Cycle Point: End Diastole (SRT, F-32011)
		[PV] PV Peak Grad	Peak Gradient (LN, 20247-3)	
		[P] PR Inst Flow Rate	Peak Instantaneous Flow Rate (LN, 34141-2)	Measurement Method: Proximal Isovelocity Surface Area (DCM, 125216) Flow Direction: Regurgitant Flow (SRT, R-42E61)
	X	[PV] PR Vmax [P] PR Vmax [3DP] Average: PR Vmax	Peak Velocity (LN, 11726-7)	Flow Direction: Regurgitant Flow (SRT, R-42E61)

HR	Mean	Label	Code Meaning (Coding Scheme Designator, Code Value)	Modifiers
X	X	[PV] PV Vmax [P] PV Vmax	Peak Velocity (LN, 11726-7)	
		[PV] PV Area Vmax	Pulmonic Valve Area by continuity (LN, 18096-8)	Measurement Method: Continuity Equation by Peak Velocity (DCM, 125214)
		[PV] PV Area VTI	Pulmonic Valve Area by continuity (LN, 18096-8)	Measurement Method: Continuity Equation by Velocity Time Integral (DCM, 125215)
		[PV] PV Area/BSA (Vmax)	Pulmonic Valve Area by continuity (LN, 18096-8)	Measurement Method: Continuity Equation by Peak Velocity (DCM, 125214) Index: Body Surface Area (LN, 8277-6)
		[PV] PV Area/BSA (VTI)	Pulmonic Valve Area by continuity (LN, 18096-8)	Measurement Method: Continuity Equation by Velocity Time Integral (DCM, 125215) Index: Body Surface Area (LN, 8277-6)
X	X	[PV] PV ET	Pulmonic Valve Ejection Time (LN, 18042-2)	
		[PV] PV AT/ET	Ratio of Pulmonic Valve Acceleration Time to Ejection Time (SRT, G-0388)	
		[PV] PV SV	Stroke Volume (SRT, F-32120)	
	X	[PV] PR VTI [3DP] Average: PR VTI	Velocity Time Integral (LN, 20354-7)	Flow Direction: Regurgitant Flow (SRT, R-42E61)
X	X	[PV] PV VTI	Velocity Time Integral (LN, 20354-7)	
Measurements of Image Mode: Doppler Color Flow (SRT, R-409E2)				
	X	[P] PR Aliasing Velocity	Alias velocity (LN, 59130-5)	Flow Direction: Regurgitant Flow (SRT, R-42E61)
	X	[P] PR PISA Radius	Flow Radius (LN, 59102-4)	Measurement Method: Proximal Isovelocity Surface Area (DCM, 125216) Flow Direction: Regurgitant Flow (SRT, R-42E61)

9.1.9 Tricuspid Valve

HR	Mean	Label	Code Meaning (Coding Scheme Designator, Code Value)	Modifiers
Tricuspid Valve			Container: Findings (DCM, 121070)	Finding Site: Tricuspid Valve (SRT, T-35100)
Measurements of Image Mode: 2D mode (SRT, G-03A2)				
	X	[TV] TV Area Planim	Cardiovascular Orifice Area (SRT, G-038E)	Measurement Method: Planimetry (DCM, 125220)

HR	Mean	Label	Code Meaning (Coding Scheme Designator, Code Value)	Modifiers
	X	[TV] TV Annulus d A4C	Cardiovascular Orifice Diameter (SRT, G-038F)	Finding Site: Tricuspid Annulus (SRT, T-35111) Cardiac Cycle Point: Diastole (SRT, F-32010) Image View: Apical four chamber (SRT, G-A19C)
	X	[TV] TV Annulus d A-P	Cardiovascular Orifice Diameter (SRT, G-038F)	Cardiac Cycle Point: Diastole (SRT, F-32010) Image View: Parasternal long axis (SRT, G-0396)
Measurements are associated with CW and PW, so the image mode is not specified				
X	X	[TV] TV Accel Slope	Acceleration Slope (LN, 20167-3)	
		[P] TR EROA	Cardiovascular Orifice Area (SRT, G-038E)	Measurement Method: Proximal Isovelocity Surface Area (DCM, 125216) Flow Direction: Regurgitant Flow (SRT, R-42E61)
		[P] TV Area PISA	Cardiovascular Orifice Area (SRT, G-038E)	Measurement Method: Proximal Isovelocity Surface Area (DCM, 125216) Flow Direction: Antegrade Flow (SRT, R-42047)
		[P] TV Area/BSA (PISA)	Cardiovascular Orifice Area (SRT, G-038E)	Measurement Method: Proximal Isovelocity Surface Area (DCM, 125216) Flow Direction: Antegrade Flow (SRT, R-42047) Index: Body Surface Area (LN, 8277-6)
X	X	[TV] TV Decel Slope [D] TV Flow: TV Decel Slope	Deceleration Slope (LN, 20216-8)	
	X	[TV] TV DT [D] TV Flow: TV DT	Deceleration Time (LN, 20217-6)	
		[P] TR PISA	Flow Area (LN, 20226-7)	Measurement Method: Proximal Isovelocity Surface Area (DCM, 125216) Flow Direction: Regurgitant Flow (SRT, R-42E61)
		[P] TV PISA	Flow Area (LN, 20226-7)	Measurement Method: Proximal Isovelocity Surface Area (DCM, 125216) Flow Direction: Antegrade Flow (SRT, R-42047)
X	X	[TV] TV Mean Grad	Mean Gradient (LN, 20256-4)	
	X	[TV] TV Vmean	Mean Velocity (LN, 20352-1)	
		[TV] TR Peak Grad [RV] RVSP: TR Peak Grad	Peak Gradient (LN, 20247-3)	Flow Direction: Regurgitant Flow (SRT, R-42E61)
		[TV] TV Peak Grad	Peak Gradient (LN, 20247-3)	

HR	Mean	Label	Code Meaning (Coding Scheme Designator, Code Value)	Modifiers
		[P] TR Inst Flow Rate	Peak Instantaneous Flow Rate (LN, 34141-2)	Measurement Method: Proximal Isovelocity Surface Area (DCM, 125216) Flow Direction: Regurgitant Flow (SRT, R-42E61)
		[P] TV Inst Flow Rate	Peak Instantaneous Flow Rate (LN, 34141-2)	Measurement Method: Proximal Isovelocity Surface Area (DCM, 125216) Flow Direction: Antegrade Flow (SRT, R-42047)
X	X	[TV] TR Vmax [P] TR Vmax [3DP] Average: TR Vmax	Peak Velocity (LN, 11726-7)	Flow Direction: Regurgitant Flow (SRT, R-42E61)
	X	[TV] TV Vmax [P] TV Vmax	Peak Velocity (LN, 11726-7)	
		[TV] TV PHT	Pressure Half-Time (LN, 20280-4)	
		[TV] TV SV	Stroke Volume (SRT, F-32120)	
	X	[RV] RV dP/dt	Tricuspid Regurgitation dP/dt (LN, 18034-9)	
X	X	[TV] TV A Vmax [D] TV Flow: TV A Vmax	Tricuspid Valve A Wave Peak Velocity (LN, 18030-7)	
X	X	[TV] TV E Vmax [D] TV Flow: TV E Vmax	Tricuspid Valve E Wave Peak Velocity (LN, 18031-5)	
	X	[TV] TR VTI [3DP] Average: TR VTI	Velocity Time Integral (LN, 20354-7)	Flow Direction: Regurgitant Flow (SRT, R-42E61)
	X	[TV] TV VTI	Velocity Time Integral (LN, 20354-7)	
X	X	[TV] TV VTI Annulus	Velocity Time Integral (LN, 20354-7)	Finding Site: Tricuspid Annulus (SRT, T-35111)
X	X	[TV] TV VTI Tips [D] TV Flow: TV VTI Tips	Velocity Time Integral (LN, 20354-7)	Finding Site: Leaflet Tips (99SIEMENS, LeafletTips)
Measurements of Image Mode: Doppler Color Flow (SRT, R-409E2)				
	X	[P] TR Aliasing Velocity	Alias velocity (LN, 59130-5)	Flow Direction: Regurgitant Flow (SRT, R-42E61)
	X	[P] TV Aliasing Velocity	Alias velocity (LN, 59130-5)	Flow Direction: Antegrade Flow (SRT, R-42047)
	X	[P] TR PISA Radius	Flow Radius (LN, 59102-4)	Measurement Method: Proximal Isovelocity Surface Area (DCM, 125216) Flow Direction: Regurgitant Flow (SRT, R-42E61)
	X	[P] TV PISA Radius	Flow Radius (LN, 59102-4)	Measurement Method: Proximal Isovelocity Surface Area (DCM, 125216)
	X	[P] TV Funnel Angle	Funnel Angle (99SIEMENS, FunnelAngle)	

HR	Mean	Label	Code Meaning (Coding Scheme Designator, Code Value)	Modifiers
Measurements of Image Mode: Doppler Pulsed (SRT, R-409E4)				
	X	[RV] RV Free Wall: A' [D] PW DTI, RV Free Wall: A'	TV Free Wall Aa (99SIEMENS, TVaPrime)	
	X	[RV] RV Free Wall: S' [D] PW DTI, RV Free Wall: S'	TV Free Wall Sa (99SIEMENS, TVsPrime)	
Measurements of Image Mode: M mode (SRT, G-0394)				
	X	[M] TV DE Excursion	D-E Excursion (LN, 59091-9)	
	X	[M] TV DE Slope	D-E Slope (LN, 59127-1)	
	X	[M] TV EF Slope	E-F Slope (LN, 59128-9)	
	X	[M] TAPSE	Tricuspid annular plane systolic excursion (99SIEMENS, TAPSE)	

9.1.10 Aorta

HR	Mean	Label	Code Meaning (Coding Scheme Designator, Code Value)	Modifiers
Aorta			Container: Findings (DCM, 121070)	Finding Site: Aorta (SRT, T-42000)
Measurements of Image Mode: 2D mode (SRT, G-03A2)				
X	X	[Ao] Aorta: Ao Arch Diam	Aortic Arch Diameter (LN, 18011-7)	
X	X	[Ao] Aorta: Ao Arch Diam Dist	Aortic Arch Diameter (LN, 18011-7)	Topographical modifier: Distal (SRT, G-A119)
	X	[Ao] Aorta: Ao Isthmus d	Aortic Isthmus Diameter (LN, 18014-1)	Cardiac Cycle Point: Diastole (SRT, F-32010)
	X	[Ao] Aorta: Ao Isthmus s	Aortic Isthmus Diameter (LN, 18014-1)	Cardiac Cycle Point: Systole (SRT, F-32020)
	X	[Ao] Aorta: Ao Root d	Aortic Root Diameter (LN, 18015-8)	Finding Site: Aortic Valve Ring (SRT, T-35410) Cardiac Cycle Point: Diastole (SRT, F-32010)
	X	[Ao] Aorta: Ao Root s	Aortic Root Diameter (LN, 18015-8)	Finding Site: Aortic Valve Ring (SRT, T-35410) Cardiac Cycle Point: Systole (SRT, F-32020)
	X	[Ao] Aorta: Ao Sinus d	Aortic Root Diameter (LN, 18015-8)	Finding Site: Structure Sinus of Valsalva (SRT, T-42200) Cardiac Cycle Point: Diastole (SRT, F-32010)
	X	[Ao] Aorta: Ao Sinus s	Aortic Root Diameter (LN, 18015-8)	Finding Site: Structure Sinus of Valsalva (SRT, T-42200) Cardiac Cycle Point: Systole (SRT, F-32020)
	X	[Ao] Aorta: Ao ST jct d	Aortic Root Diameter (LN, 18015-8)	Finding Site: Aortic Sinotubular Junction (SRT, T-42102) Cardiac Cycle Point: Diastole (SRT, F-32010)

HR	Mean	Label	Code Meaning (Coding Scheme Designator, Code Value)	Modifiers
	X	[Ao] Aorta: Ao ST jnct s	Aortic Root Diameter (LN, 18015-8)	Finding Site: Aortic Sinotubular Junction (SRT, T-42102) Cardiac Cycle Point: Systole (SRT, F-32020)
	X	[Ao] Aorta: Ao Asc Diam d	Ascending Aortic Diameter (LN, 18012-5)	Cardiac Cycle Point: Diastole (SRT, F-32010)
	X	[Ao] Aorta: Ao Asc Diam s	Ascending Aortic Diameter (LN, 18012-5)	Cardiac Cycle Point: Systole (SRT, F-32020)
	X	[Ao] Aorta: Ao Annulus Diam d PLAX	Cardiovascular Orifice Diameter (SRT, G-038F)	Finding Site: Aortic Valve Ring (SRT, T-35410) Cardiac Cycle Point: Diastole (SRT, F-32010) Image View: Parasternal long axis (SRT, G-0396)
	X	[Ao] Aorta: Ao Annulus Diam s PLAX	Cardiovascular Orifice Diameter (SRT, G-038F)	Finding Site: Aortic Valve Ring (SRT, T-35410) Cardiac Cycle Point: Systole (SRT, F-32020) Image View: Parasternal long axis (SRT, G-0396)
X	X	[Ao] Aorta: Ao Desc Diam	Descending Aortic Diameter (LN, 18013-3)	
	X	[Ao] Aorta: Ao Abdominal Diam	Diameter (SRT, M-02550)	Finding Site: Abdominal Aorta (SRT, T-42500)
X	X	[Ao] Aorta: Ao Arch s Trans Dist	Diameter (SRT, M-02550)	Finding Site: Transverse Aortic Arch (SRT, T-42304) Topographical modifier: Distal (SRT, G-A119) Cardiac Cycle Point: Systole (SRT, F-32020)
X	X	[Ao] Aorta: Ao Arch s Trans Prox	Diameter (SRT, M-02550)	Finding Site: Transverse Aortic Arch (SRT, T-42304) Topographical modifier: Proximal (SRT, G-A118) Cardiac Cycle Point: Systole (SRT, F-32020)
	X	[Ao] Aorta: Ao Thoracic Diam	Diameter (SRT, M-02550)	Finding Site: Thoracic Aorta (SRT, T-42070)
X	X	[Ao] Aorta: Coarct Diam	Diameter (SRT, M-02550)	Finding Site: Thoracic Aortic Coarctation (SRT, D4-32030)
Measurements are associated with CW and PW, so the image mode is not specified				
X	X	[Ao] Aorta: Ao Asc Mean Grad	Mean Gradient (LN, 20256-4)	Finding Site: Ascending Aorta (SRT, T-42100)
X	X	[Ao] Aorta: Ao Desc Mean Grad	Mean Gradient (LN, 20256-4)	Finding Site: Descending Aorta (SRT, T-42400)
		[Ao] Aorta: Ao Asc Peak Grad	Peak Gradient (LN, 20247-3)	Finding Site: Ascending Aorta (SRT, T-42100)
		[Ao] Aorta: Ao Desc Peak Grad	Peak Gradient (LN, 20247-3)	Finding Site: Descending Aorta (SRT, T-42400)
	X	[Ao] Aorta: Ao Asc Vmax	Peak Velocity (LN, 11726-7)	Finding Site: Ascending Aorta (SRT, T-42100)
	X	[Ao] Aorta: Ao Desc Vmax	Peak Velocity (LN, 11726-7)	Finding Site: Descending Aorta (SRT, T-42400)
Measurements of Image Mode: M mode (SRT, G-0394)				
	X	[M] Ao Diam d	Aortic Root Diameter (LN, 18015-8)	Cardiac Cycle Point: Diastole (SRT, F-32010)
	X	[M] Ao Diam s	Aortic Root Diameter (LN, 18015-8)	Cardiac Cycle Point: Systole (SRT, F-32020)

9.1.11 Pulmonary Artery

HR	Mean	Label	Code Meaning (Coding Scheme Designator, Code Value)	Modifiers
Pulmonary Artery			Container: Findings (DCM, 121070)	Finding Site: Pulmonary Artery (SRT, T-44000)
Measurements of Image Mode: 2D mode (SRT, G-03A2)				
	X	[A] Pulmonary Arteries: LPA Diam d	Left Pulmonary Artery Diameter (LN, 18019-0)	Cardiac Cycle Point: Diastole (SRT, F-32010)
	X	[A] Pulmonary Arteries: LPA Diam s	Left Pulmonary Artery Diameter (LN, 18019-0)	Cardiac Cycle Point: Systole (SRT, F-32020)
	X	[A] Pulmonary Arteries: MPA Diam d	Main Pulmonary Artery Diameter (LN, 18020-8)	Cardiac Cycle Point: Diastole (SRT, F-32010)
	X	[A] Pulmonary Arteries: MPA Diam s	Main Pulmonary Artery Diameter (LN, 18020-8)	Cardiac Cycle Point: Systole (SRT, F-32020)
	X	[A] Pulmonary Arteries: RPA Diam d	Right Pulmonary Artery Diameter (LN, 18021-6)	Cardiac Cycle Point: Diastole (SRT, F-32010)
	X	[A] Pulmonary Arteries: RPA Diam s	Right Pulmonary Artery Diameter (LN, 18021-6)	Cardiac Cycle Point: Systole (SRT, F-32020)
Measurements are associated with CW and PW, so the image mode is not specified				
	X	[A] Pulmonary Arteries: MPA Vmax	Main Pulmonary Artery Peak Velocity (SRT, G-038A)	
		[A] Pulmonary Arteries: LPA Peak Grad	Peak Gradient (LN, 20247-3)	Finding Site: Left Pulmonary Artery (SRT, T-44400)
		[A] Pulmonary Arteries: MPA Peak Grad	Peak Gradient (LN, 20247-3)	
		[A] Pulmonary Arteries: RPA Peak Grad	Peak Gradient (LN, 20247-3)	Finding Site: Right Pulmonary Artery (SRT, T-44200)
	X	[A] Pulmonary Arteries: LPA Vmax	Peak Velocity (LN, 11726-7)	Finding Site: Left Pulmonary Artery (SRT, T-44400)
	X	[A] Pulmonary Arteries: RPA Vmax	Peak Velocity (LN, 11726-7)	Finding Site: Right Pulmonary Artery (SRT, T-44200)

9.1.12 Vena Cava

HR	Mean	Label	Code Meaning (Coding Scheme Designator, Code Value)	Modifiers
Vena Cava			Container: Findings (DCM, 121070)	Finding Site: Vena Cava (SRT, T-48600)
Measurements of Image Mode: 2D mode (SRT, G-03A2)				
	X	[RA] Subcostal LAX, Diastole: SVC Diam exp	Diameter (SRT, M-02550)	Finding Site: Superior Vena Cava (SRT, T-48610) Respiratory Cycle Point: During Expiration (SRT, F-20020) Cardiac Cycle Point: Diastole (SRT, F-32010) Image View: Subcostal long axis (SRT, G-039E)

HR	Mean	Label	Code Meaning (Coding Scheme Designator, Code Value)	Modifiers
	X	[RA] Subcostal LAX, Diastole: SVC Diam insp	Diameter (SRT, M-02550)	Finding Site: Superior Vena Cava (SRT, T-48610) Respiratory Cycle Point: During Inspiration (SRT, F-20010) Cardiac Cycle Point: Diastole (SRT, F-32010) Image View: Subcostal long axis (SRT, G-039E)
	X	[RA] Subcostal LAX, Systole: SVC Diam exp	Diameter (SRT, M-02550)	Finding Site: Superior Vena Cava (SRT, T-48610) Respiratory Cycle Point: During Expiration (SRT, F-20020) Cardiac Cycle Point: Systole (SRT, F-32020) Image View: Subcostal long axis (SRT, G-039E)
	X	[RA] Subcostal LAX, Systole: SVC Diam insp	Diameter (SRT, M-02550)	Finding Site: Superior Vena Cava (SRT, T-48610) Respiratory Cycle Point: During Inspiration (SRT, F-20010) Cardiac Cycle Point: Systole (SRT, F-32020) Image View: Subcostal long axis (SRT, G-039E)
	X	[RA] Subcostal SAX, Diastole: SVC Diam exp	Diameter (SRT, M-02550)	Finding Site: Superior Vena Cava (SRT, T-48610) Respiratory Cycle Point: During Expiration (SRT, F-20020) Cardiac Cycle Point: Diastole (SRT, F-32010) Image View: Subcostal short axis (SRT, G-039F)
	X	[RA] Subcostal SAX, Diastole: SVC Diam insp	Diameter (SRT, M-02550)	Finding Site: Superior Vena Cava (SRT, T-48610) Respiratory Cycle Point: During Inspiration (SRT, F-20010) Cardiac Cycle Point: Diastole (SRT, F-32010) Image View: Subcostal short axis (SRT, G-039F)
	X	[RA] Subcostal SAX, Systole: SVC Diam exp	Diameter (SRT, M-02550)	Finding Site: Superior Vena Cava (SRT, T-48610) Respiratory Cycle Point: During Expiration (SRT, F-20020) Cardiac Cycle Point: Systole (SRT, F-32020) Image View: Subcostal short axis (SRT, G-039F)
	X	[RA] Subcostal SAX, Systole: SVC Diam insp	Diameter (SRT, M-02550)	Finding Site: Superior Vena Cava (SRT, T-48610) Respiratory Cycle Point: During Inspiration (SRT, F-20010) Cardiac Cycle Point: Systole (SRT, F-32020) Image View: Subcostal short axis (SRT, G-039F)
	X	[RA] Subcostal LAX, Diastole: IVC Diam exp	Inferior Vena Cava Diameter (LN, 18006-7)	Respiratory Cycle Point: During Expiration (SRT, F-20020) Cardiac Cycle Point: Diastole (SRT, F-32010) Image View: Subcostal long axis (SRT, G-039E)
	X	[RA] Subcostal LAX, Diastole: IVC Diam insp	Inferior Vena Cava Diameter (LN, 18006-7)	Respiratory Cycle Point: During Inspiration (SRT, F-20010) Cardiac Cycle Point: Diastole (SRT, F-32010) Image View: Subcostal long axis (SRT, G-039E)

HR	Mean	Label	Code Meaning (Coding Scheme Designator, Code Value)	Modifiers
	X	[RA] Subcostal LAX, Systole: IVC Diam exp	Inferior Vena Cava Diameter (LN, 18006-7)	Respiratory Cycle Point: During Expiration (SRT, F-20020) Cardiac Cycle Point: Systole (SRT, F-32020) Image View: Subcostal long axis (SRT, G-039E)
	X	[RA] Subcostal LAX, Systole: IVC Diam insp	Inferior Vena Cava Diameter (LN, 18006-7)	Respiratory Cycle Point: During Inspiration (SRT, F-20010) Cardiac Cycle Point: Systole (SRT, F-32020) Image View: Subcostal long axis (SRT, G-039E)
	X	[RA] Subcostal SAX, Diastole: IVC Diam exp	Inferior Vena Cava Diameter (LN, 18006-7)	Respiratory Cycle Point: During Expiration (SRT, F-20020) Cardiac Cycle Point: Diastole (SRT, F-32010) Image View: Subcostal short axis (SRT, G-039F)
	X	[RA] Subcostal SAX, Diastole: IVC Diam insp	Inferior Vena Cava Diameter (LN, 18006-7)	Respiratory Cycle Point: During Inspiration (SRT, F-20010) Cardiac Cycle Point: Diastole (SRT, F-32010) Image View: Subcostal short axis (SRT, G-039F)
	X	[RA] Subcostal SAX, Systole: IVC Diam exp	Inferior Vena Cava Diameter (LN, 18006-7)	Respiratory Cycle Point: During Expiration (SRT, F-20020) Cardiac Cycle Point: Systole (SRT, F-32020) Image View: Subcostal short axis (SRT, G-039F)
	X	[RA] Subcostal SAX, Systole: IVC Diam insp	Inferior Vena Cava Diameter (LN, 18006-7)	Respiratory Cycle Point: During Inspiration (SRT, F-20010) Cardiac Cycle Point: Systole (SRT, F-32020) Image View: Subcostal short axis (SRT, G-039F)
Measurements of Image Mode: M mode (SRT, G-0394)				
	X	[M] IVC Diam	Inferior Vena Cava Diameter (LN, 18006-7)	

9.1.13 Pulmonary Venous Structure

PVF is the Pulmonary Venous Flow table on the *Diastology* worksheet.

HR	Mean	Label	Code Meaning (Coding Scheme Designator, Code Value)	Modifiers
Pulmonary Venous Structure			Container: Findings (DCM, 121070)	Finding Site: Pulmonary Venous Structure (SRT, T-48581)
Measurements of Image Mode: 2D mode (SRT, G-03A2)				
X	X	[PVn] LLPV: Diam [D] PVF, LLPV: Diam	Diameter (SRT, M-02550)	Topographical modifier: Left Lower Segment (SRT, R-4214B)
X	X	[PVn] LUPV: Diam [D] PVF, LUPV: Diam	Diameter (SRT, M-02550)	Topographical modifier: Left Upper Segment (SRT, R-40491)

HR	Mean	Label	Code Meaning (Coding Scheme Designator, Code Value)	Modifiers
X	X	[PVn] RLPV: Diam [D] PVF, RLPV: Diam	Diameter (SRT, M-02550)	Topographical modifier: Right Lower Segment (SRT, R-4049E)
X	X	[PVn] RUPV: Diam [D] PVF, RUPV: Diam	Diameter (SRT, M-02550)	Topographical modifier: Right Upper Segment (SRT, R-404A0)
Measurements are associated with CW and PW, so the image mode is not specified				
		[PVn] LLPV: A Dur – MV A Dur [D] PVF, LLPV: A Dur – MV A Dur	Pulm Vein A duration to MV A duration difference (LN, 59114-9)	Topographical modifier: Left Lower Segment (SRT, R-4214B)
		[PVn] LUPV: A Dur – MV A Dur [D] PVF, LUPV: A Dur – MV A Dur	Pulm Vein A duration to MV A duration difference (LN, 59114-9)	Topographical modifier: Left Upper Segment (SRT, R-40491)
		[PVn] RLPV: A Dur – MV A Dur [D] PVF, RLPV: A Dur – MV A Dur	Pulm Vein A duration to MV A duration difference (LN, 59114-9)	Topographical modifier: Right Lower Segment (SRT, R-4049E)
		[PVn] RUPV: A Dur – MV A Dur [D] PVF, RUPV: A Dur – MV A Dur	Pulm Vein A duration to MV A duration difference (LN, 59114-9)	Topographical modifier: Right Upper Segment (SRT, R-404A0)
	X	[PVn] LLPV: A Vmax [D] PVF, LLPV: A Vmax	Pulmonary Vein Atrial Contraction Reversal Peak Velocity (LN, 29453-8)	Topographical modifier: Left Lower Segment (SRT, R-4214B)
	X	[PVn] LUPV: A Vmax [D] PVF, LUPV: A Vmax	Pulmonary Vein Atrial Contraction Reversal Peak Velocity (LN, 29453-8)	Topographical modifier: Left Upper Segment (SRT, R-40491)
	X	[PVn] RLPV: A Vmax [D] PVF, RLPV: A Vmax	Pulmonary Vein Atrial Contraction Reversal Peak Velocity (LN, 29453-8)	Topographical modifier: Right Lower Segment (SRT, R-4049E)
	X	[PVn] RUPV: A Vmax [D] PVF, RUPV: A Vmax	Pulmonary Vein Atrial Contraction Reversal Peak Velocity (LN, 29453-8)	Topographical modifier: Right Upper Segment (SRT, R-404A0)
	X	[PVn] LLPV: A Dur [D] PVF, LLPV: A Dur	Pulmonary Vein A-Wave Duration (SRT, G-038B)	Topographical modifier: Left Lower Segment (SRT, R-4214B)
	X	[PVn] LUPV: A Dur [D] PVF, LUPV: A Dur	Pulmonary Vein A-Wave Duration (SRT, G-038B)	Topographical modifier: Left Upper Segment (SRT, R-40491)
	X	[PVn] RLPV: A Dur [D] PVF, RLPV: A Dur	Pulmonary Vein A-Wave Duration (SRT, G-038B)	Topographical modifier: Right Lower Segment (SRT, R-4049E)
	X	[PVn] RUPV: A Dur [D] PVF, RUPV: A Dur	Pulmonary Vein A-Wave Duration (SRT, G-038B)	Topographical modifier: Right Upper Segment (SRT, R-404A0)
	X	[PVn] LLPV: D Vmax [D] PVF, LLPV: D Vmax	Pulmonary Vein Diastolic Peak Velocity (LN, 29451-2)	Topographical modifier: Left Lower Segment (SRT, R-4214B)
	X	[PVn] LUPV: D Vmax [D] PVF, LUPV: D Vmax	Pulmonary Vein Diastolic Peak Velocity (LN, 29451-2)	Topographical modifier: Left Upper Segment (SRT, R-40491)

HR	Mean	Label	Code Meaning (Coding Scheme Designator, Code Value)	Modifiers
	X	[PVn] RLPV: D Vmax [D] PVF, RLPV: D Vmax	Pulmonary Vein Diastolic Peak Velocity (LN, 29451-2)	Topographical modifier: Right Lower Segment (SRT, R-4049E)
	X	[PVn] RUPV: D Vmax [D] PVF, RUPV: D Vmax	Pulmonary Vein Diastolic Peak Velocity (LN, 29451-2)	Topographical modifier: Right Upper Segment (SRT, R-404A0)
	X	[PVn] LLPV: D VTI [D] PVF, LLPV: D VTI	Pulmonary Vein D-Wave Velocity Time Integral (SRT, G-038D)	Topographical modifier: Left Lower Segment (SRT, R-4214B)
	X	[PVn] LUPV: D VTI [D] PVF, LUPV: D VTI	Pulmonary Vein D-Wave Velocity Time Integral (SRT, G-038D)	Topographical modifier: Left Upper Segment (SRT, R-40491)
	X	[PVn] RLPV: D VTI [D] PVF, RLPV: D VTI	Pulmonary Vein D-Wave Velocity Time Integral (SRT, G-038D)	Topographical modifier: Right Lower Segment (SRT, R-4049E)
	X	[PVn] RUPV: D VTI [D] PVF, RUPV: D VTI	Pulmonary Vein D-Wave Velocity Time Integral (SRT, G-038D)	Topographical modifier: Right Upper Segment (SRT, R-404A0)
	X	[PVn] LLPV: S VTI [D] PVF, LLPV: S VTI	Pulmonary Vein S-Wave Velocity Time Integral (SRT, G-038C)	Topographical modifier: Left Lower Segment (SRT, R-4214B)
	X	[PVn] LUPV: S VTI [D] PVF, LUPV: S VTI	Pulmonary Vein S-Wave Velocity Time Integral (SRT, G-038C)	Topographical modifier: Left Upper Segment (SRT, R-40491)
	X	[PVn] RLPV: S VTI [D] PVF, RLPV: S VTI	Pulmonary Vein S-Wave Velocity Time Integral (SRT, G-038C)	Topographical modifier: Right Lower Segment (SRT, R-4049E)
	X	[PVn] RUPV: S VTI [D] PVF, RUPV: S VTI	Pulmonary Vein S-Wave Velocity Time Integral (SRT, G-038C)	Topographical modifier: Right Upper Segment (SRT, R-404A0)
		[PVn] LLPV: Systolic Filling Fraction [D] PVF, LLPV: Systolic Filling Fraction	Pulmonary Vein Systolic Filling Fraction (99SIEMENS, PVeinSysFillFrac)	Topographical modifier: Left Lower Segment (SRT, R-4214B)
		[PVn] LUPV: Systolic Filling Fraction [D] PVF, LUPV: Systolic Filling Fraction	Pulmonary Vein Systolic Filling Fraction (99SIEMENS, PVeinSysFillFrac)	Topographical modifier: Left Upper Segment (SRT, R-40491)
		[PVn] RLPV: Systolic Filling Fraction [D] PVF, RLPV: Systolic Filling Fraction	Pulmonary Vein Systolic Filling Fraction (99SIEMENS, PVeinSysFillFrac)	Topographical modifier: Right Lower Segment (SRT, R-4049E)
		[PVn] RUPV: Systolic Filling Fraction [D] PVF, RUPV: Systolic Filling Fraction	Pulmonary Vein Systolic Filling Fraction (99SIEMENS, PVeinSysFillFrac)	Topographical modifier: Right Upper Segment (SRT, R-404A0)
	X	[PVn] LLPV: S Vmax [D] PVF, LLPV: S Vmax	Pulmonary Vein Systolic Peak Velocity (LN, 29450-4)	Topographical modifier: Left Lower Segment (SRT, R-4214B)
	X	[PVn] LUPV: S Vmax [D] PVF, LUPV: S Vmax	Pulmonary Vein Systolic Peak Velocity (LN, 29450-4)	Topographical modifier: Left Upper Segment (SRT, R-40491)

HR	Mean	Label	Code Meaning (Coding Scheme Designator, Code Value)	Modifiers
	X	[PVn] RLPV: S Vmax [D] PVF, RLPV: S Vmax	Pulmonary Vein Systolic Peak Velocity (LN, 29450-4)	Topographical modifier: Right Lower Segment (SRT, R-4049E)
	X	[PVn] RUPV: S Vmax [D] PVF, RUPV: S Vmax	Pulmonary Vein Systolic Peak Velocity (LN, 29450-4)	Topographical modifier: Right Upper Segment (SRT, R-404A0)
		[PVn] LLPV: S Vmax/D Vmax [D] PVF, LLPV: S Vmax/D Vmax	Pulmonary Vein Systolic to Diastolic Ratio (LN, 29452-0)	Topographical modifier: Left Lower Segment (SRT, R-4214B)
		[PVn] LUPV: S Vmax/D Vmax [D] PVF, LUPV: S Vmax/D Vmax	Pulmonary Vein Systolic to Diastolic Ratio (LN, 29452-0)	Topographical modifier: Left Upper Segment (SRT, R-4049I)
		[PVn] RLPV: S Vmax/D Vmax [D] PVF, RLPV: S Vmax/D Vmax	Pulmonary Vein Systolic to Diastolic Ratio (LN, 29452-0)	Topographical modifier: Right Lower Segment (SRT, R-4049E)
		[PVn] RUPV: S Vmax/D Vmax [D] PVF, RUPV: S Vmax/D Vmax	Pulmonary Vein Systolic to Diastolic Ratio (LN, 29452-0)	Topographical modifier: Right Upper Segment (SRT, R-404A0)

9.1.14 Cardiac Shunt Study

HR	Mean	Label	Code Meaning (Coding Scheme Designator, Code Value)	Modifiers
Cardiac Shunt Study			Container: Findings (DCM, 121070)	Finding Site: Cardiac Shunt Study (SRT, P5-30031)
Measurements of Image Mode: 2D mode (SRT, G-03A2)				
		[Sh] Pulm Side Area	Area (SRT, G-A166)	Finding Site: Pulmonary side (99SIEMENS, PulmonarySide)
		[Sh] Sys Side Area	Area (SRT, G-A166)	Finding Site: Systemic side (99SIEMENS, SystemicSide)
X	X	[Sh] ASD Ant-Post Diam	Diameter (SRT, M-02550)	Derivation: Anterior-Posterior (DCM, 122675) Finding Site: Atrial Septal Defect (SRT, D4-31220)
X	X	[Sh] PDA Diam	Diameter (SRT, M-02550)	Finding Site: Patent Ductus Arteriosus (SRT, D4-32012)
X	X	[Sh] Pulm Side Diam	Diameter (SRT, M-02550)	Finding Site: Pulmonary side (99SIEMENS, PulmonarySide)
X	X	[Sh] Sys Side Diam	Diameter (SRT, M-02550)	Finding Site: Systemic side (99SIEMENS, SystemicSide)
X	X	[Sh] VSD Diam	Diameter (SRT, M-02550)	Finding Site: Ventricular Septal Defect (SRT, D4-31150)
X	X	[Sh] ASD Major Diam	Major Axis (SRT, G-A193)	Finding Site: Atrial Septal Defect (SRT, D4-31220)
X	X	[Sh] VSD Major Diam	Major Axis (SRT, G-A193)	Finding Site: Ventricular Septal Defect (SRT, D4-31150)
X	X	[Sh] ASD Minor Diam	Minor Axis (SRT, G-A194)	Finding Site: Atrial Septal Defect (SRT, D4-31220)
X	X	[Sh] VSD Minor Diam	Minor Axis (SRT, G-A194)	Finding Site: Ventricular Septal Defect (SRT, D4-31150)

HR	Mean	Label	Code Meaning (Coding Scheme Designator, Code Value)	Modifiers
X	X	[Sh] ASD Sup-Inf Diam	Superior-Inferior Diameter (99SIEMENS, SupInfDiam)	Finding Site: Atrial Septal Defect (SRT, D4-31220)
Measurements are associated with CW and PW, so the image mode is not specified				
		[Sh] Pulm Side CI	Cardiac Index (SRT, F-32110)	Finding Site: Pulmonary side (99SIEMENS, PulmonarySide) Index: Body Surface Area (LN, 8277-6)
		[Sh] Sys Side CI	Cardiac Index (SRT, F-32110)	Finding Site: Systemic side (99SIEMENS, SystemicSide) Index: Body Surface Area (LN, 8277-6)
		[Sh] Pulm Side CO	Cardiac Output (SRT, F-32100)	Finding Site: Pulmonary side (99SIEMENS, PulmonarySide)
		[Sh] Sys Side CO	Cardiac Output (SRT, F-32100)	Finding Site: Systemic side (99SIEMENS, SystemicSide)
		[Sh] Pulm Side HR	Composite heart rate (99SIEMENS, CompositeHR)	Finding Site: Pulmonary side (99SIEMENS, PulmonarySide)
		[Sh] Sys Side HR	Composite heart rate (99SIEMENS, CompositeHR)	Finding Site: Systemic side (99SIEMENS, SystemicSide)
		[Sh] Qp-Qs	Difference between Pulmonary Valve CO and Aortic Valve CO (99SIEMENS, QpMinusQs)	
		[Sh] ASD Peak Grad	Peak Gradient (LN, 20247-3)	Finding Site: Atrial Septal Defect (SRT, D4-31220)
		[Sh] VSD Peak Grad [RV] RVSP: VSD Peak Grad	Peak Gradient (LN, 20247-3)	Finding Site: Ventricular Septal Defect (SRT, D4-31150)
	X	[Sh] ASD Vmax	Peak Velocity (LN, 11726-7)	Finding Site: Atrial Septal Defect (SRT, D4-31220)
	X	[Sh] VSD Vmax	Peak Velocity (LN, 11726-7)	Finding Site: Ventricular Septal Defect (SRT, D4-31150)
		[Sh] Qp/Qs	Pulmonary-to-Systemic Shunt Flow Ratio (LN, 29462-9)	
		[Sh] Pulm Side SI	Stroke Index (SRT, F-00078)	Finding Site: Pulmonary side (99SIEMENS, PulmonarySide) Index: Body Surface Area (LN, 8277-6)
		[Sh] Sys Side SI	Stroke Index (SRT, F-00078)	Finding Site: Systemic side (99SIEMENS, SystemicSide) Index: Body Surface Area (LN, 8277-6)
		[Sh] Pulm Side SV	Stroke Volume (SRT, F-32120)	Finding Site: Pulmonary side (99SIEMENS, PulmonarySide)
		[Sh] Sys Side SV	Stroke Volume (SRT, F-32120)	Finding Site: Systemic side (99SIEMENS, SystemicSide)
X	X	[Sh] Pulm Side VTI	Velocity Time Integral (LN, 20354-7)	Finding Site: Pulmonary side (99SIEMENS, PulmonarySide)
X	X	[Sh] Sys Side VTI	Velocity Time Integral (LN, 20354-7)	Finding Site: Systemic side (99SIEMENS, SystemicSide)

9.1.15 Private Section: Coronary Artery

HR	Mean	Label	Code Meaning (Coding Scheme Designator, Code Value)	Modifiers
Coronary artery			Container: Findings (DCM, 121070)	Finding Site: Coronary artery (SRT, T-43000)
Measurements of Image Mode: 2D mode (SRT, G-03A2)				
X	X	[A] Coronary Arteries: Circumflex Diam	Diameter (SRT, M-02550)	Finding Site: Circumflex Coronary Artery (SRT, T-43120)
X	X	[A] Coronary Arteries: Circumflex Diam Prox	Diameter (SRT, M-02550)	Finding Site: Circumflex Coronary Artery (SRT, T-43120) Topographical modifier: Proximal (SRT, G-A118)
X	X	[A] Coronary Arteries: LAD Diam	Diameter (SRT, M-02550)	Finding Site: Left Anterior Descending Coronary Artery (SRT, T-4311A)
X	X	[A] Coronary Arteries: Left Main Diam	Diameter (SRT, M-02550)	Finding Site: Left Main Coronary Artery (SRT, T-43107)
X	X	[A] Coronary Arteries: RCA Diam	Diameter (SRT, M-02550)	Finding Site: Right Coronary Artery (SRT, T-43203)

9.1.16 Private Section: Stress Echo

Beginning with the VA12A release, Left Ventricular Analysis can be performed on images acquired during a Stress Echo stage. The Stress Echo LVA results for a single stage are contained within a Private Stress Echo SR section as described below.

TID 5200 Extension

	NL	Rel with Parent	VT	Concept Name	VM	Req Type	Condition	Value Set Constraint
22	>	CONTAINS	INCLUDE	Private TID: Stress Echo	1-n	U		

Private TID: Stress Echo

	NL	Rel with Parent	VT	Concept Name	VM	Req Type	Condition	Value Set Constraint
1			CONTAINER	EV (121070, DCM, "Findings")	1	M		
2	>	HAS CONCEPT MOD	CODE	EV (121058, DCM, "Procedure reported")	1	M		DT (StressEcho, 99SIEMENS, "Stress Echo")
3	>	HAS ACQ CONTEXT	NUM	(StageNumber,99SIEMENS, "Stage Number")	1	M		UNITS = EV (1, UCUM, "no units")
4	>	HAS ACQ CONTEXT	CODE	EV (LN, 18139-6, "Stage")	1	M		BCID (12002) Ultrasound Protocol Stage Types
5	>	HAS ACQ CONTEXT	TEXT	EV (UserStageName, 99SIEMENS, "User-defined Stage Name")	1	U		
6	>	CONTAINS	CONTAINER	(121070, DCM, "Findings")	1-n	M		

	NL	Rel with Parent	VT	Concept Name	VM	Req Type	Condition	Value Set Constraint
7	>>	HAS CONCEPT MOD	CODE	(CAP, 99SIEMENS, "Clinical Application Package")	1	M		value=(LVAnalysis, 99SIEMENS, "Left Ventricular Analysis")
8	>>	CONTAINS	CONTAINER	DT (125007, DCM, "Measurement Group")	1	M		
9	>>>	CONTAINS	INCLUDE	DTID (5203) Echo Measurement	1-n	M		\$Measurement = CID Left Ventricular Analysis

CID 12002 Ultrasound Protocol Stage Types (from CP-817)

Coding Scheme Designator (0008,0102)	Code Value (0008,0100)	Code Meaning (0008,0104)
Include CID 3207 Stress Test Procedure Phases		
99SIEMENS	UserDefinedStage	User-defined stage

CID 3207 Stress Test Procedure Phases (from CP-817)

Coding Scheme Designator (0008,0102)	Code Value (0008,0100)	Code Meaning (0008,0104)	SC2000 Stage Name
SRT	F-01602	Baseline	Baseline
SRT	F-05028	Peak cardiac stress state	Peak Exercise or Peak
SRT	F-05018	Cardiac stress recovery state	Recovery
SRT	F-01604	Resting State	Rest
99SIEMENS	Post	Post	Post
99SIEMENS	PostExercise	Post Exercise	Post Exercise
99SIEMENS	Impost	Impost	Impost
99SIEMENS	LowExercise	Low Exercise	Low Exercise
99SIEMENS	LowDose	Low Dose	Low Dose
99SIEMENS	HighDose	High Dose	High Dose
99SIEMENS	5µg	5µg/kg/min	5µg/kg/min
99SIEMENS	10µg	10µg/kg/min	10µg/kg/min
99SIEMENS	20µg	20µg/kg/min	20µg/kg/min
99SIEMENS	30µg	30µg/kg/min	30µg/kg/min
99SIEMENS	40µg	40µg/kg/min	40µg/kg/min
99SIEMENS	50µg	50µg/kg/min	50µg/kg/min
SRT	C-67770	Atropine	Atropine
SRT	C-80349	Adenosine	Adenosine

9.1.16.1 Stress Echo and LVA

These measurements appear on the *Stress Echo and LVA* worksheet.

HR	Mean	Label	Code Meaning (Coding Scheme Designator, Code Value)	Modifiers
		Stress Echo	Container: Findings (DCM, 121070)	Procedure reported: Stress Echo (99SIEMENS, StressEcho) Stage Number (99SIEMENS, StageNumber) Stage (LN, 18139-6) User-defined Stage Name (99SIEMENS, UserStageName)
		Left Ventricular Analysis	Container: Findings (DCM, 121070)	Clinical Application Package: Left Ventricular Analysis (99SIEMENS, LVAnalysis)
	X	[SE-LVA] DDI 16	Diastolic Dyssynchrony Index (16 segment ASE model) (99SIEMENS, DDI16)	
	X	[SE-LVA] DDI 17	Diastolic Dyssynchrony Index (17 segment ASE model) (99SIEMENS, DDI17)	
	X	[SE-LVA] DISPED 16	Dispersion End Diastole (16 segment ASE model) (99SIEMENS, DISPED16)	
	X	[SE-LVA] DISPED 17	Dispersion End Diastole (17 segment ASE model) (99SIEMENS, DISPED17)	
	X	[SE-LVA] DISPES 16	Dispersion End Systole (16 segment ASE model) (99SIEMENS, DISPES16)	
	X	[SE-LVA] DISPES 17	Dispersion End Systole (17 segment ASE model) (99SIEMENS, DISPES17)	
	X	[SE-LVA] EDSI	End Diastolic Sphericity Index (99SIEMENS, EDSI)	
	X	[SE-LVA] ESSI	End Systolic Sphericity Index (99SIEMENS, ESSI)	
	X	[SE-LVA] EF	Left Ventricular Ejection Fraction (LN, 18043-0)	
	X	[SE-LVA] EDV	Left Ventricular End Diastolic Volume (LN, 18026-5)	
	X	[SE-LVA] ESV	Left Ventricular End Systolic Volume (LN, 18148-7)	
	X	[SE-LVA] MED 16	Mean ED time (16 segment ASE model) (99SIEMENS, MED16)	
	X	[SE-LVA] MED 17	Mean ED time (17 segment ASE model) (99SIEMENS, MED17)	
	X	[SE-LVA] MES 16	Mean ES time (16 segment ASE model) (99SIEMENS, MES16)	

HR	Mean	Label	Code Meaning (Coding Scheme Designator, Code Value)	Modifiers
	X	[SE-LVA] MES 17	Mean ES time (17 segment ASE model) (99SIEMENS, MES17)	
	X	[SE-LVA] Post Contr 16	Post-contraction Time Volume (16 segment ASE model) (99SIEMENS, PostContr16)	
	X	[SE-LVA] Post Contr 17	Post-contraction Time Volume (17 segment ASE model) (99SIEMENS, PostContr17)	
	X	[SE-LVA] Post Relax 16	Post-relaxation Time Volume (16 segment ASE model) (99SIEMENS, PostRelax16)	
	X	[SE-LVA] Post Relax 17	Post-relaxation Time Volume (17 segment ASE model) (99SIEMENS, PostRelax17)	
	X	[SE-LVA] Pre Contr 16	Pre-contraction Time Volume (16 segment ASE model) (99SIEMENS, PreContr16)	
	X	[SE-LVA] Pre Contr 17	Pre-contraction Time Volume (17 segment ASE model) (99SIEMENS, PreContr17)	
	X	[SE-LVA] Pre Relax 16	Pre-relaxation Time Volume (16 segment ASE model) (99SIEMENS, PreRelax16)	
	X	[SE-LVA] Pre Relax 17	Pre-relaxation Time Volume (17 segment ASE model) (99SIEMENS, PreRelax17)	
	X	[SE-LVA] SV	Stroke Volume (SRT, F-32120)	
	X	[SE-LVA] SDI 16	Systolic Dyssynchrony Index (16 segment ASE model) (99SIEMENS, SDI16)	
	X	[SE-LVA] SDI 17	Systolic Dyssynchrony Index (17 segment ASE model) (99SIEMENS, SDI17)	

9.1.17 Private Section: Clinical Application Package

Results from Clinical Application Packages are in private sections defined as Findings CONTAINERS with the modifier HAS CONCEPT MOD, CODE, Clinical Application Package (99SIEMENS, CAP) with VM of 1.

The SR measurements for each CAP are defined in the following sections. Worksheet edits to CAP results are not saved to the SR.

The general Clinical Application Package (CAP) SR structure is defined below.

TID 5200 Extension

	NL	Rel with Parent	VT	Concept Name	VM	Req Type	Condition	Value Set Constraint
22	>	CONTAINS	INCLUDE	Private TID: Clinical Application Package	1-n	U		

Private TID: Clinical Application Package

	NL	Rel with Parent	VT	Concept Name	VM	Req Type	Condition	Value Set Constraint
1			CONTAINER	EV (121070, DCM, "Findings")	1	M		
2	>	HAS CONCEPT MOD	CODE	(CAP, 99SIEMENS, "Clinical Application Package")	1	M		CID Clinical Application Packages
3	>	CONTAINS	CONTAINER	DT (125007, DCM, "Measurement Group")	1-n	M		
4	>>	CONTAINS	INCLUDE	DTID (5203) Echo Measurement	1-n	M		Defined by each CAP

Private CID Clinical Application Packages

Coding Scheme Designator (0008,0102)	Code Value (0008,0100)	Code Meaning (0008,0104)
99SIEMENS	LVAnalysis	Left Ventricular Analysis
99SIEMENS	RVAnalysis	Right Ventricular Analysis
99SIEMENS	VVI	Velocity Vector Imaging
99SIEMENS	3DPISA	3D PISA

9.1.17.1 CAP: Left Ventricular Analysis

These measurements appear on the *LVA and RVA* worksheet in the LVA table.

HR	Mean	Label	Code Meaning (Coding Scheme Designator, Code Value)	Modifiers
Left Ventricular Analysis			Container: Findings (DCM, 121070)	Clinical Application Package: Left Ventricular Analysis (99SIEMENS, LVAnalysis)
	X	[LR] LVA: DDI 16	Diastolic Dyssynchrony Index (16 segment ASE model) (99SIEMENS, DDI16)	
	X	[LR] LVA: DDI 17	Diastolic Dyssynchrony Index (17 segment ASE model) (99SIEMENS, DDI17)	

HR	Mean	Label	Code Meaning (Coding Scheme Designator, Code Value)	Modifiers
	X	[LR] LVA: DISPED 16	Dispersion End Diastole (16 segment ASE model) (99SIEMENS, DISPED16)	
	X	[LR] LVA: DISPED 17	Dispersion End Diastole (17 segment ASE model) (99SIEMENS, DISPED17)	
	X	[LR] LVA: DISPES 16	Dispersion End Systole (16 segment ASE model) (99SIEMENS, DISPES16)	
	X	[LR] LVA: DISPES 17	Dispersion End Systole (17 segment ASE model) (99SIEMENS, DISPES17)	
	X	[LR] LVA: EDSI	End Diastolic Sphericity Index (99SIEMENS, EDSI)	
	X	[LR] LVA: ESSI	End Systolic Sphericity Index (99SIEMENS, ESSI)	
	X	[LR] LVA: EF	Left Ventricular Ejection Fraction (LN, 18043-0)	
	X	[LR] LVA: EDV	Left Ventricular End Diastolic Volume (LN, 18026-5)	
	X	[LR] LVA: ESV	Left Ventricular End Systolic Volume (LN, 18148-7)	
	X	[LR] LVA: MED 16	Mean ED time (16 segment ASE model) (99SIEMENS, MED16)	
	X	[LR] LVA: MED 17	Mean ED time (17 segment ASE model) (99SIEMENS, MED17)	
	X	[LR] LVA: MES 16	Mean ES time (16 segment ASE model) (99SIEMENS, MES16)	
	X	[LR] LVA: MES 17	Mean ES time (17 segment ASE model) (99SIEMENS, MES17)	
	X	[LR] LVA: Post Contr 16	Post-contraction Time Volume (16 segment ASE model) (99SIEMENS, PostContr16)	
	X	[LR] LVA: Post Contr 17	Post-contraction Time Volume (17 segment ASE model) (99SIEMENS, PostContr17)	
	X	[LR] LVA: Post Relax 16	Post-relaxation Time Volume (16 segment ASE model) (99SIEMENS, PostRelax16)	
	X	[LR] LVA: Post Relax 17	Post-relaxation Time Volume (17 segment ASE model) (99SIEMENS, PostRelax17)	
	X	[LR] LVA: Pre Contr 16	Pre-contraction Time Volume (16 segment ASE model) (99SIEMENS, PreContr16)	
	X	[LR] LVA: Pre Contr 17	Pre-contraction Time Volume (17 segment ASE model) (99SIEMENS, PreContr17)	
	X	[LR] LVA: Pre Relax 16	Pre-relaxation Time Volume (16 segment ASE model) (99SIEMENS, PreRelax16)	

HR	Mean	Label	Code Meaning (Coding Scheme Designator, Code Value)	Modifiers
	X	[LR] LVA: Pre Relax 17	Pre-relaxation Time Volume (17 segment ASE model) (99SIEMENS, PreRelax17)	
	X	[LR] LVA: SV	Stroke Volume (SRT, F-32120)	
	X	[LR] LVA: SDI 16	Systolic Dyssynchrony Index (16 segment ASE model) (99SIEMENS, SDI16)	
	X	[LR] LVA: SDI 17	Systolic Dyssynchrony Index (17 segment ASE model) (99SIEMENS, SDI17)	

9.1.17.2 CAP: Right Ventricular Analysis

These measurements appear on the *LVA and RVA* worksheet in the RVA table.

HR	Mean	Label	Code Meaning (Coding Scheme Designator, Code Value)	Modifiers
Right Ventricular Analysis			Container: Findings (DCM, 121070)	Clinical Application Package: Right Ventricular Analysis (99SIEMENS, RVAnalysis)
	X	[LR] RVA: EDV	Right Ventricular ED Volume (LN, 8822-3)	
	X	[LR] RVA: ESV	Right Ventricular ES Volume (LN, 8824-5)	
	X	[LR] RVA: EF	RV Ejection Fraction (LN, 10231-9)	
	X	[LR] RVA: SV	Stroke Volume (SRT, F-32120)	

9.1.17.3 CAP: Velocity Vector Imaging

The Clinical Application Package (CAP) SR structure for Velocity Vector Imaging (VVI) results is defined below.

TID 5200 Extension

	NL	Rel with Parent	VT	Concept Name	VM	Req Type	Condition	Value Set Constraint
22	>	CONTAINS	INCLUDE	Private TID: Clinical Application Package for Velocity Vector Imaging	1	U		

Private TID: Clinical Application Package for Velocity Vector Imaging

	NL	Rel with Parent	VT	Concept Name	VM	Req Type	Condition	Value Set Constraint
1			CONTAINER	EV (121070, DCM, "Findings")	1	U		
2	>	HAS CONCEPT MOD	CODE	EV (CAP, 99SIEMENS, "Clinical Application Package")	1	M		= (VVI, 99SIEMENS, "Velocity Vector Imaging")
3	>	CONTAINS	CONTAINER	DT (125007, DCM, "Measurement Group")	1	U		
4	>>	CONTAINS	NUM	DTID (300) Measurement	1-n	M		\$Measurement = DCID VVI Measurements
5	>>>	HAS CONCEPT MOD	CODE	(Derivation, DCM, 121401)	1	U		DCID VVI Derivations
6	>>>	HAS CONCEPT MOD	CODE	(R-4089A, SRT, "Cardiac Cycle Point")	1	U		DCID (12233) Cardiac Phase
7	>>>	HAS ACQ CONTEXT	CODE	(111031, DCM, "Image View")	1	U		DCID VVI Image View
8	>>>	HAS CONCEPT MOD	CODE	(MyocardialMech, 99SIEMENS, "Myocardial Mechanics")	1	M		DCID VVI Myocardial Mechanics
9	>	CONTAINS	CONTAINER	DT (125007, DCM, "Measurement Group")	1-n	M		
10	>>	HAS CONCEPT MOD	TEXT	(WallSegmentNum, 99SIEMENS, "Wall Segment Number")	1	M		Segment number corresponding to AHA 17-Segment Model
11	>>	CONTAINS	CODE	(18179-2, LN, "Wall Segment")	1	M		BCID (3717) Myocardial Wall Segments
12	>>	CONTAINS	NUM	DTID (300) Measurement	1-n	M		\$Measurement = DCID VVI Measurements
13	>>>	HAS CONCEPT MOD	CODE	(R-4089A, SRT, "Cardiac Cycle Point")	1	U		DCID (12233) Cardiac Phase
14	>>>	HAS CONCEPT MOD	CODE	(MyocardialMech, 99SIEMENS, "Myocardial Mechanics")	1	M		DCID VVI Myocardial Mechanics

Private CID VVI Derivations

Coding Scheme Designator (0008,0102)	Code Value (0008,0100)	Code Meaning (0008,0104)
SRT	G-A437	Maximum
SRT	R-00317	Mean
99SIEMENS	Mean12Segments	Mean of 12 Segments
99SIEMENS	MeanApexSegments	Mean of Apical Segments
99SIEMENS	MeanBaseSegments	Mean of Basal Segments
99SIEMENS	MeanMidSegments	Mean of Mid-cavity Segments

Coding Scheme Designator (0008,0102)	Code Value (0008,0100)	Code Meaning (0008,0104)
99SIEMENS	Twist	Apical mean minus Basal mean
SRT	R-10047	Standard Deviation
99SIEMENS	StdDev12Segments	Standard Deviation of 12 Segments

Private CID VVI Image Views

Coding Scheme Designator (0008,0102)	Code Value (0008,0100)	Code Meaning (0008,0104)
SRT	G-A19C	Apical four chamber
SRT	G-0395	Apical long axis
SRT	G-A19B	Apical two chamber

Private CID VVI Measurements

Coding Scheme Designator (0008,0102)	Code Value (0008,0100)	Code Meaning (0008,0104)
99SIEMENS	EPeak	E Peak
99SIEMENS	OverallPeak	Overall Peak
99SIEMENS	Peak	Peak
99SIEMENS	TimeOverallPeak	Time to Overall Peak
LN	59121-4	Time to Peak by US

Private CID VVI Myocardial Mechanics

Coding Scheme Designator (0008,0102)	Code Value (0008,0100)	Code Meaning (0008,0104)
99SIEMENS	LongDisplacmt	Longitudinal Displacement
99SIEMENS	RadialDisplacmt	Radial Displacement
99SIEMENS	RotatnDisplacmt	Rotation Displacement
99SIEMENS	CircumStrain	Circumferential Strain
99SIEMENS	LongStrain	Longitudinal Strain
99SIEMENS	RadialStrain	Radial Strain
99SIEMENS	CircumStrainRate	Circumferential Strain Rate
99SIEMENS	LongStrainRate	Longitudinal Strain Rate

Coding Scheme Designator (0008,0102)	Code Value (0008,0100)	Code Meaning (0008,0104)
99SIEMENS	RadialStrainRate	Radial Strain Rate
99SIEMENS	LongVelocity	Longitudinal Velocity
99SIEMENS	RadialVelocity	Radial Velocity
99SIEMENS	RotatnVelocity	Rotation Velocity

BCID 3717 Myocardial Wall Segments

Wall Segment Number	Coding Scheme Designator (0008,0102)	Code Value (0008,0100)	Code Meaning (0008,0104)
1	SRT	T-32619	left ventricle basal anterior segment
2	SRT	R-10075	left ventricle basal anteroseptal segment
3	SRT	R-10076	left ventricle basal inferoseptal segment
4	SRT	T-32615	left ventricle basal inferior segment
5	SRT	R-10079	left ventricle basal inferolateral segment
6	SRT	R-1007A	left ventricle basal anterolateral segment
7	SRT	T-32617	left ventricle mid anterior segment
8	SRT	R-10077	left ventricle mid anteroseptal segment
9	SRT	R-10078	left ventricle mid inferoseptal segment
10	SRT	T-32616	left ventricle mid inferior segment
11	SRT	R-1007B	left ventricle mid inferolateral segment
12	SRT	R-1007C	left ventricle mid anterolateral segment
13	SRT	T-32613	left ventricle apical anterior segment
14	SRT	T-32614	left ventricle apical septal segment
15	SRT	T-32618	left ventricle apical inferior segment
16	SRT	T-3261C	left ventricle apical lateral segment
17	SRT	T-32602	apex of left ventricle

VVI results are displayed over 4 worksheet pages. Some VVI results are only shown on the *Myocardial LV Mechanics* Report page and are displayed in the Report section identified by the following notation in the Label column:

<u>Notation</u>	<u>Report Section</u>
[Report-D]	Displacement
[Report-R]	Rotation
[Report-S]	Strain Overall
[Report-SR]	Strain Rate
[Report-V]	Velocity

HR	Mean	Label	Code Meaning (Coding Scheme Designator, Code Value)	Modifiers
Velocity Vector Imaging			Container: Findings (DCM, 121070)	Clinical Application Package: Velocity Vector Imaging (99SIEMENS, VVI)
			Container: Measurement Group (DCM, 125007)	Wall Segment Number (99SIEMENS, WallSegmentNum)
		[Not shown]	Wall Segment (LN, 18179-2)	
		[Report-V] Global (Seg 1-12): Long Pk E'	E Peak (99SIEMENS, EPeak)	Derivation: Mean of 12 Segments (99SIEMENS, Mean12Segments) Myocardial Mechanics (99SIEMENS, MyocardialMech): Longitudinal Velocity (99SIEMENS, LongVelocity)
		[Report-V] Std Dev (Seg 1-12): Long Pk E'	E Peak (99SIEMENS, EPeak)	Derivation: Standard Deviation of 12 Segments (99SIEMENS, StdDev12Segments) Myocardial Mechanics (99SIEMENS, MyocardialMech): Longitudinal Velocity (99SIEMENS, LongVelocity)
		[VVI-V] Peak E', Long: Avg	E Peak (99SIEMENS, EPeak)	Derivation: Mean (SRT, R-00317) Myocardial Mechanics (99SIEMENS, MyocardialMech): Longitudinal Velocity (99SIEMENS, LongVelocity)
	X	[VVI-V] Peak E', Long: Segment <n> where <n> = 1..17	E Peak (99SIEMENS, EPeak)	Myocardial Mechanics (99SIEMENS, MyocardialMech): Longitudinal Velocity (99SIEMENS, LongVelocity)
		[VVI-V] Peak E', Long: Std Dev	E Peak (99SIEMENS, EPeak)	Derivation: Standard Deviation (SRT, R-10047) Myocardial Mechanics (99SIEMENS, MyocardialMech): Longitudinal Velocity (99SIEMENS, LongVelocity)
		[Report-S] Global (Seg 1-12): Long Pk Overall, Radial Pk, or Circ Pk	Overall Peak (99SIEMENS, OverallPeak)	Derivation: Mean of 12 Segments (99SIEMENS, Mean12Segments) Myocardial Mechanics (99SIEMENS, MyocardialMech): Longitudinal Strain (99SIEMENS, LongStrain), Radial Strain (99SIEMENS, RadialStrain), or Circumferential Strain (99SIEMENS, CircumStrain)

HR	Mean	Label	Code Meaning (Coding Scheme Designator, Code Value)	Modifiers
		[Report-S] Global: Long <A2C, A3C, or A4C> Pk	Overall Peak (99SIEMENS, OverallPeak)	Derivation: Mean (SRT, R-00317) Image View: Apical two chamber (SRT, G-A19B), Apical long axis (SRT, G-0395), or Apical four chamber (SRT, G-A19C) Myocardial Mechanics (99SIEMENS, MyocardialMech): Longitudinal Strain (99SIEMENS, LongStrain)
		[Report-S] Std Dev (Seg 1-12): Long Pk Overall, Radial Pk, or Circ Pk	Overall Peak (99SIEMENS, OverallPeak)	Derivation: Standard Deviation of 12 Segments (99SIEMENS, StdDev12Segments) Myocardial Mechanics (99SIEMENS, MyocardialMech): Longitudinal Strain (99SIEMENS, LongStrain), Radial Strain (99SIEMENS, RadialStrain), or Circumferential Strain (99SIEMENS, CircumStrain)
		[Report-S] Std Dev: Long <A2C, A3C, or A4C> Pk	Overall Peak (99SIEMENS, OverallPeak)	Derivation: Standard Deviation (SRT, R-10047) Image View: Apical two chamber (SRT, G-A19B), Apical long axis (SRT, G-0395), or Apical four chamber (SRT, G-A19C) Myocardial Mechanics (99SIEMENS, MyocardialMech): Longitudinal Strain (99SIEMENS, LongStrain)
		[VVI-S] Peak Overall, <Long, Rad, or Circ>: Avg	Overall Peak (99SIEMENS, OverallPeak)	Derivation: Mean (SRT, R-00317) Myocardial Mechanics (99SIEMENS, MyocardialMech): Longitudinal Strain (99SIEMENS, LongStrain), Radial Strain (99SIEMENS, RadialStrain), or Circumferential Strain (99SIEMENS, CircumStrain)
		[VVI-S] Peak Overall, <Long, Rad, or Circ>: Std Dev	Overall Peak (99SIEMENS, OverallPeak)	Derivation: Standard Deviation (SRT, R-10047) Myocardial Mechanics (99SIEMENS, MyocardialMech): Longitudinal Strain (99SIEMENS, LongStrain), Radial Strain (99SIEMENS, RadialStrain), or Circumferential Strain (99SIEMENS, CircumStrain)
	X	[VVI-S] Peak Overall: Segment <n> For Long, <n> = 1..17 For Rad, <n> = 1..16 For Circ, <n> = 1..16	Overall Peak (99SIEMENS, OverallPeak)	Myocardial Mechanics (99SIEMENS, MyocardialMech): Longitudinal Strain (99SIEMENS, LongStrain), Radial Strain (99SIEMENS, RadialStrain), or Circumferential Strain (99SIEMENS, CircumStrain)
		[Report-D] Global (Seg 1-12): <Long or Radial> Pk	Peak (99SIEMENS, Peak)	Derivation: Mean of 12 Segments (99SIEMENS, Mean12Segments) Myocardial Mechanics (99SIEMENS, MyocardialMech): Longitudinal Displacement (99SIEMENS, LongDisplacmt) or Radial Displacement (99SIEMENS, RadialDisplacmt)

HR	Mean	Label	Code Meaning (Coding Scheme Designator, Code Value)	Modifiers
		[Report-D] Std Dev (Seg 1-12): <Long or Radial> Pk	Peak (99SIEMENS, Peak)	Derivation: Standard Deviation of 12 Segments (99SIEMENS, StdDev12Segments) Myocardial Mechanics (99SIEMENS, MyocardialMech): Longitudinal Displacement (99SIEMENS, LongDisplacmt) or Radial Displacement (99SIEMENS, RadialDisplacmt)
		[Report-R] Global: Rotation Apex Pk	Peak (99SIEMENS, Peak)	Derivation: Mean of Apical Segments (99SIEMENS, MeanApexSegments) Myocardial Mechanics (99SIEMENS, MyocardialMech): Rotation Displacement (99SIEMENS, RotatnDisplacmt)
		[Report-R] Global: Rotation Base Pk	Peak (99SIEMENS, Peak)	Derivation: Mean of Basal Segments (99SIEMENS, MeanBaseSegments) Myocardial Mechanics (99SIEMENS, MyocardialMech): Rotation Displacement (99SIEMENS, RotatnDisplacmt)
		[Report-R] Global: Rotation Mid Pk	Peak (99SIEMENS, Peak)	Derivation: Mean of Mid-cavity Segments (99SIEMENS, MeanMidSegments) Myocardial Mechanics (99SIEMENS, MyocardialMech): Rotation Displacement (99SIEMENS, RotatnDisplacmt)
		[Report-SR] Global (Seg 1-12): <Long, Radial, or Circ> Pk s	Peak (99SIEMENS, Peak)	Derivation: Mean of 12 Segments (99SIEMENS, Mean12Segments) Cardiac Cycle Point: Systole (SRT, F-32020) Myocardial Mechanics (99SIEMENS, MyocardialMech): Longitudinal Strain Rate (99SIEMENS, LongStrainRate), Radial Strain Rate (99SIEMENS, RadialStrainRate), or Circumferential Strain Rate (99SIEMENS, CircumStrainRate)
		[Report-SR] Std Dev (Seg 1-12): <Long, Radial, or Circ> Pk s	Peak (99SIEMENS, Peak)	Derivation: Standard Deviation of 12 Segments (99SIEMENS, StdDev12Segments) Cardiac Cycle Point: Systole (SRT, F-32020) Myocardial Mechanics (99SIEMENS, MyocardialMech): Longitudinal Strain Rate (99SIEMENS, LongStrainRate), Radial Strain Rate (99SIEMENS, RadialStrainRate), or Circumferential Strain Rate (99SIEMENS, CircumStrainRate)

HR	Mean	Label	Code Meaning (Coding Scheme Designator, Code Value)	Modifiers
		[Report-V] Global (Seg 1-12): Long Pk s, Radial Pk, or Rotation Pk	Peak (99SIEMENS, Peak)	Derivation: Mean of 12 Segments (99SIEMENS, Mean12Segments) Cardiac Cycle Point: Systole (SRT, F-32020) Myocardial Mechanics (99SIEMENS, MyocardialMech): Longitudinal Velocity (99SIEMENS, LongVelocity), Radial Velocity (99SIEMENS, RadialVelocity), or Rotation Velocity (99SIEMENS, RotatnVelocity)
		[Report-V] Std Dev (Seg 1-12): Long Pk s, Radial Pk, or Rotation Pk	Peak (99SIEMENS, Peak)	Derivation: Standard Deviation of 12 Segments (99SIEMENS, StdDev12Segments) Cardiac Cycle Point: Systole (SRT, F-32020) Myocardial Mechanics (99SIEMENS, MyocardialMech): Longitudinal Velocity (99SIEMENS, LongVelocity), Radial Velocity (99SIEMENS, RadialVelocity), or Rotation Velocity (99SIEMENS, RotatnVelocity)
		[VVI-D] Peak, <Long or Rad>: Avg	Peak (99SIEMENS, Peak)	Derivation: Mean (SRT, R-00317) Myocardial Mechanics (99SIEMENS, MyocardialMech): Longitudinal Displacement (99SIEMENS, LongDisplacmt) or Radial Displacement (99SIEMENS, RadialDisplacmt)
		[VVI-D] Peak, <Long or Rad>: Std Dev	Peak (99SIEMENS, Peak)	Derivation: Standard Deviation (SRT, R-10047) Myocardial Mechanics (99SIEMENS, MyocardialMech): Longitudinal Displacement (99SIEMENS, LongDisplacmt) or Radial Displacement (99SIEMENS, RadialDisplacmt)
		[VVI-D] Peak, Rot: Twist	Peak (99SIEMENS, Peak)	Derivation: Apical mean minus Basal mean (99SIEMENS, Twist) Myocardial Mechanics (99SIEMENS, MyocardialMech): Rotation Displacement (99SIEMENS, RotatnDisplacmt)
	X	[VVI-D] Peak: Segment <n> For Long, <n> = 1..17 For Rad, <n> = 1..16 For Rot, <n> = 1..16	Peak (99SIEMENS, Peak)	Myocardial Mechanics (99SIEMENS, MyocardialMech): Longitudinal Displacement (99SIEMENS, LongDisplacmt), Radial Displacement (99SIEMENS, RadialDisplacmt), or Rotation Displacement (99SIEMENS, RotatnDisplacmt)
		[VVI-S] Peak Systolic, <Long, Rad, or Circ>: Avg	Peak (99SIEMENS, Peak)	Derivation: Mean (SRT, R-00317) Cardiac Cycle Point: Systole (SRT, F-32020) Myocardial Mechanics (99SIEMENS, MyocardialMech): Longitudinal Strain (99SIEMENS, LongStrain), Radial Strain (99SIEMENS, RadialStrain), or Circumferential Strain (99SIEMENS, CircumStrain)

HR	Mean	Label	Code Meaning (Coding Scheme Designator, Code Value)	Modifiers
		[VVI-S] Peak Systolic, <Long, Rad, or Circ>: Std Dev	Peak (99SIEMENS, Peak)	Derivation: Standard Deviation (SRT, R-10047) Cardiac Cycle Point: Systole (SRT, F-32020) Myocardial Mechanics (99SIEMENS, MyocardialMech): Longitudinal Strain (99SIEMENS, LongStrain), Radial Strain (99SIEMENS, RadialStrain), or Circumferential Strain (99SIEMENS, CircumStrain)
	X	[VVI-S] Peak Systolic: Segment <n> For Long, <n> = 1..17 For Rad, <n> = 1..16 For Circ, <n> = 1..16	Peak (99SIEMENS, Peak)	Cardiac Cycle Point: Systole (SRT, F-32020) Myocardial Mechanics (99SIEMENS, MyocardialMech): Longitudinal Strain (99SIEMENS, LongStrain), Radial Strain (99SIEMENS, RadialStrain), or Circumferential Strain (99SIEMENS, CircumStrain)
		[VVI-SR] Peak Systolic, <Long, Rad, or Circ>: Avg	Peak (99SIEMENS, Peak)	Derivation: Mean (SRT, R-00317) Cardiac Cycle Point: Systole (SRT, F-32020) Myocardial Mechanics (99SIEMENS, MyocardialMech): Longitudinal Strain Rate (99SIEMENS, LongStrainRate), Radial Strain Rate (99SIEMENS, RadialStrainRate), or Circumferential Strain Rate (99SIEMENS, CircumStrainRate)
		[VVI-SR] Peak Systolic, <Long, Rad, or Circ>: Std Dev	Peak (99SIEMENS, Peak)	Derivation: Standard Deviation (SRT, R-10047) Cardiac Cycle Point: Systole (SRT, F-32020) Myocardial Mechanics (99SIEMENS, MyocardialMech): Longitudinal Strain Rate (99SIEMENS, LongStrainRate), Radial Strain Rate (99SIEMENS, RadialStrainRate), or Circumferential Strain Rate (99SIEMENS, CircumStrainRate)
	X	[VVI-SR] Peak Systolic: Segment <n> For Long, <n> = 1..17 For Rad, <n> = 1..16 For Circ, <n> = 1..16	Peak (99SIEMENS, Peak)	Cardiac Cycle Point: Systole (SRT, F-32020) Myocardial Mechanics (99SIEMENS, MyocardialMech): Longitudinal Strain Rate (99SIEMENS, LongStrainRate), Radial Strain Rate (99SIEMENS, RadialStrainRate), or Circumferential Strain Rate (99SIEMENS, CircumStrainRate)
		[VVI-V] Peak Systolic, <Long, Rad, or Rot>: Avg	Peak (99SIEMENS, Peak)	Derivation: Mean (SRT, R-00317) Cardiac Cycle Point: Systole (SRT, F-32020) Myocardial Mechanics (99SIEMENS, MyocardialMech): Longitudinal Velocity (99SIEMENS, LongVelocity), Radial Velocity (99SIEMENS, RadialVelocity), or Rotation Velocity (99SIEMENS, RotatnVelocity)

HR	Mean	Label	Code Meaning (Coding Scheme Designator, Code Value)	Modifiers
		[VVI-V] Peak Systolic, <Long, Rad, or Rot>: Std Dev	Peak (99SIEMENS, Peak)	Derivation: Standard Deviation (SRT, R-10047) Cardiac Cycle Point: Systole (SRT, F-32020) Myocardial Mechanics (99SIEMENS, MyocardialMech): Longitudinal Velocity (99SIEMENS, LongVelocity), Radial Velocity (99SIEMENS, RadialVelocity), or Rotation Velocity (99SIEMENS, RotatnVelocity)
	X	[VVI-V] Peak Systolic: Segment <n> For Long, <n> = 1..17 For Rad, <n> = 1..16 For Rot, <n> = 1..16	Peak (99SIEMENS, Peak)	Cardiac Cycle Point: Systole (SRT, F-32020) Myocardial Mechanics (99SIEMENS, MyocardialMech): Longitudinal Velocity (99SIEMENS, LongVelocity), Radial Velocity (99SIEMENS, RadialVelocity), or Rotation Velocity (99SIEMENS, RotatnVelocity)
		[Report-S] Global (Seg 1-12): <Long, Radial, or Circ> TPK	Time to Overall Peak (99SIEMENS, TimeOverallPeak)	Derivation: Mean of 12 Segments (99SIEMENS, Mean12Segments) Myocardial Mechanics (99SIEMENS, MyocardialMech): Longitudinal Strain (99SIEMENS, LongStrain), Radial Strain (99SIEMENS, RadialStrain), or Circumferential Strain (99SIEMENS, CircumStrain)
		[Report-S] Std Dev (Seg 1-12): <Long, Radial, or Circ> TPK	Time to Overall Peak (99SIEMENS, TimeOverallPeak)	Derivation: Standard Deviation of 12 Segments (99SIEMENS, StdDev12Segments) Myocardial Mechanics (99SIEMENS, MyocardialMech): Longitudinal Strain (99SIEMENS, LongStrain), Radial Strain (99SIEMENS, RadialStrain), or Circumferential Strain (99SIEMENS, CircumStrain)
		[VVI-S] Time to Peak Overall, <Long, Rad, or Circ>: Avg	Time to Overall Peak (99SIEMENS, TimeOverallPeak)	Derivation: Mean (SRT, R-00317) Myocardial Mechanics (99SIEMENS, MyocardialMech): Longitudinal Strain (99SIEMENS, LongStrain), Radial Strain (99SIEMENS, RadialStrain), or Circumferential Strain (99SIEMENS, CircumStrain)
		[VVI-S] Time to Peak Overall, <Long, Rad, or Circ>: Max Delay	Time to Overall Peak (99SIEMENS, TimeOverallPeak)	Derivation: Maximum (SRT, G-A437) Myocardial Mechanics (99SIEMENS, MyocardialMech): Longitudinal Strain (99SIEMENS, LongStrain), Radial Strain (99SIEMENS, RadialStrain), or Circumferential Strain (99SIEMENS, CircumStrain)
		[VVI-S] Time to Peak Overall, <Long, Rad, or Circ>: Std Dev	Time to Overall Peak (99SIEMENS, TimeOverallPeak)	Derivation: Standard Deviation (SRT, R-10047) Myocardial Mechanics (99SIEMENS, MyocardialMech): Longitudinal Strain (99SIEMENS, LongStrain), Radial Strain (99SIEMENS, RadialStrain), or Circumferential Strain (99SIEMENS, CircumStrain)

HR	Mean	Label	Code Meaning (Coding Scheme Designator, Code Value)	Modifiers
	X	[VVI-S] Time to Peak Overall: Segment <n> For Long, <n> = 1..17 For Rad, <n> = 1..16 For Circ, <n> = 1..16	Time to Overall Peak (99SIEMENS, TimeOverallPeak)	Myocardial Mechanics (99SIEMENS, MyocardialMech): Longitudinal Strain (99SIEMENS, LongStrain), Radial Strain (99SIEMENS, RadialStrain), or Circumferential Strain (99SIEMENS, CircumStrain)
		[Report-D] Global (Seg 1-12): <Long or Radial> TPK	Time to Peak by US (LN, 59121-4)	Derivation: Mean of 12 Segments (99SIEMENS, Mean12Segments) Myocardial Mechanics (99SIEMENS, MyocardialMech): Longitudinal Displacement (99SIEMENS, LongDisplacmt) or Radial Displacement (99SIEMENS, RadialDisplacmt)
		[Report-D] Std Dev (Seg 1-12): <Long or Radial> TPK	Time to Peak by US (LN, 59121-4)	Derivation: Standard Deviation of 12 Segments (99SIEMENS, StdDev12Segments) Myocardial Mechanics (99SIEMENS, MyocardialMech): Longitudinal Displacement (99SIEMENS, LongDisplacmt) or Radial Displacement (99SIEMENS, RadialDisplacmt)
		[Report-R] Global: Rotation Apex TPK	Time to Peak by US (LN, 59121-4)	Derivation: Mean of Apical Segments (99SIEMENS, MeanApexSegments) Myocardial Mechanics (99SIEMENS, MyocardialMech): Rotation Displacement (99SIEMENS, RotatnDisplacmt)
		[Report-R] Global: Rotation Base TPK	Time to Peak by US (LN, 59121-4)	Derivation: Mean of Basal Segments (99SIEMENS, MeanBaseSegments) Myocardial Mechanics (99SIEMENS, MyocardialMech): Rotation Displacement (99SIEMENS, RotatnDisplacmt)
		[Report-R] Global: Rotation Mid TPK	Time to Peak by US (LN, 59121-4)	Derivation: Mean of Mid-cavity Segments (99SIEMENS, MeanMidSegments) Myocardial Mechanics (99SIEMENS, MyocardialMech): Rotation Displacement (99SIEMENS, RotatnDisplacmt)
		[Report-SR] Global (Seg 1-12): <Long, Radial, or Circ> TPK s	Time to Peak by US (LN, 59121-4)	Derivation: Mean of 12 Segments (99SIEMENS, Mean12Segments) Cardiac Cycle Point: Systole (SRT, F-32020) Myocardial Mechanics (99SIEMENS, MyocardialMech): Longitudinal Strain Rate (99SIEMENS, LongStrainRate), Radial Strain Rate (99SIEMENS, RadialStrainRate), or Circumferential Strain Rate (99SIEMENS, CircumStrainRate)

HR	Mean	Label	Code Meaning (Coding Scheme Designator, Code Value)	Modifiers
		[Report-SR] Std Dev (Seg 1-12): <Long, Radial, or Circ> TPK s	Time to Peak by US (LN, 59121-4)	Derivation: Standard Deviation of 12 Segments (99SIEMENS, StdDev12Segments) Cardiac Cycle Point: Systole (SRT, F-32020) Myocardial Mechanics (99SIEMENS, MyocardialMech): Longitudinal Strain Rate (99SIEMENS, LongStrainRate), Radial Strain Rate (99SIEMENS, RadialStrainRate), or Circumferential Strain Rate (99SIEMENS, CircumStrainRate)
		[Report-V] Global (Seg 1-12): Long TPK s, Radial TPK, or Rotation TPK	Time to Peak by US (LN, 59121-4)	Derivation: Mean of 12 Segments (99SIEMENS, Mean12Segments) Cardiac Cycle Point: Systole (SRT, F-32020) Myocardial Mechanics (99SIEMENS, MyocardialMech): Longitudinal Velocity (99SIEMENS, LongVelocity), Radial Velocity (99SIEMENS, RadialVelocity), or Rotation Velocity (99SIEMENS, RotatnVelocity)
		[Report-V] Std Dev (Seg 1-12): Long TPK s, Radial TPK, or Rotation TPK	Time to Peak by US (LN, 59121-4)	Derivation: Standard Deviation of 12 Segments (99SIEMENS, StdDev12Segments) Cardiac Cycle Point: Systole (SRT, F-32020) Myocardial Mechanics (99SIEMENS, MyocardialMech): Longitudinal Velocity (99SIEMENS, LongVelocity), Radial Velocity (99SIEMENS, RadialVelocity), or Rotation Velocity (99SIEMENS, RotatnVelocity)
		[VVI-D] Time to Peak, <Long, Rad, or Rot>: Avg	Time to Peak by US (LN, 59121-4)	Derivation: Mean (SRT, R-00317) Myocardial Mechanics (99SIEMENS, MyocardialMech): Longitudinal Displacement (99SIEMENS, LongDisplacmt), Radial Displacement (99SIEMENS, RadialDisplacmt), or Rotation Displacement (99SIEMENS, RotatnDisplacmt)
		[VVI-D] Time to Peak, <Long, Rad, or Rot>: Max Delay	Time to Peak by US (LN, 59121-4)	Derivation: Maximum (SRT, G-A437) Myocardial Mechanics (99SIEMENS, MyocardialMech): Longitudinal Displacement (99SIEMENS, LongDisplacmt), Radial Displacement (99SIEMENS, RadialDisplacmt), or Rotation Displacement (99SIEMENS, RotatnDisplacmt)
		[VVI-D] Time to Peak, <Long, Rad, or Rot>: Std Dev	Time to Peak by US (LN, 59121-4)	Derivation: Standard Deviation (SRT, R-10047) Myocardial Mechanics (99SIEMENS, MyocardialMech): Longitudinal Displacement (99SIEMENS, LongDisplacmt), Radial Displacement (99SIEMENS, RadialDisplacmt), or Rotation Displacement (99SIEMENS, RotatnDisplacmt)

HR	Mean	Label	Code Meaning (Coding Scheme Designator, Code Value)	Modifiers
	X	[VVI-D] Time to Peak: Segment <n> For Long, <n> = 1..17 For Rad, <n> = 1..16 For Rot, <n> = 1..16	Time to Peak by US (LN, 59121-4)	Myocardial Mechanics (99SIEMENS, MyocardialMech): Longitudinal Displacement (99SIEMENS, LongDisplacmt), Radial Displacement (99SIEMENS, RadialDisplacmt), or Rotation Displacement (99SIEMENS, RotatnDisplacmt)
		[VVI-SR] Time to Peak Systolic, <Long, Rad, or Circ>: Avg	Time to Peak by US (LN, 59121-4)	Derivation: Mean (SRT, R-00317) Cardiac Cycle Point: Systole (SRT, F-32020) Myocardial Mechanics (99SIEMENS, MyocardialMech): Longitudinal Strain Rate (99SIEMENS, LongStrainRate), Radial Strain Rate (99SIEMENS, RadialStrainRate), or Circumferential Strain Rate (99SIEMENS, CircumStrainRate)
		[VVI-SR] Time to Peak Systolic, <Long, Rad, or Circ>: Max Delay	Time to Peak by US (LN, 59121-4)	Derivation: Maximum (SRT, G-A437) Cardiac Cycle Point: Systole (SRT, F-32020) Myocardial Mechanics (99SIEMENS, MyocardialMech): Longitudinal Strain Rate (99SIEMENS, LongStrainRate), Radial Strain Rate (99SIEMENS, RadialStrainRate), or Circumferential Strain Rate (99SIEMENS, CircumStrainRate)
		[VVI-SR] Time to Peak Systolic, <Long, Rad, or Circ>: Std Dev	Time to Peak by US (LN, 59121-4)	Derivation: Standard Deviation (SRT, R-10047) Cardiac Cycle Point: Systole (SRT, F-32020) Myocardial Mechanics (99SIEMENS, MyocardialMech): Longitudinal Strain Rate (99SIEMENS, LongStrainRate), Radial Strain Rate (99SIEMENS, RadialStrainRate), or Circumferential Strain Rate (99SIEMENS, CircumStrainRate)
	X	[VVI-SR] Time to Peak Systolic: Segment <n> For Long, <n> = 1..17 For Rad, <n> = 1..16 For Circ, <n> = 1..16	Time to Peak by US (LN, 59121-4)	Cardiac Cycle Point: Systole (SRT, F-32020) Myocardial Mechanics (99SIEMENS, MyocardialMech): Longitudinal Strain Rate (99SIEMENS, LongStrainRate), Radial Strain Rate (99SIEMENS, RadialStrainRate), or Circumferential Strain Rate (99SIEMENS, CircumStrainRate)
		[VVI-V] Time to Peak Systolic, <Long, Rad, or Rot>: Avg	Time to Peak by US (LN, 59121-4)	Derivation: Mean (SRT, R-00317) Cardiac Cycle Point: Systole (SRT, F-32020) Myocardial Mechanics (99SIEMENS, MyocardialMech): Longitudinal Velocity (99SIEMENS, LongVelocity), Radial Velocity (99SIEMENS, RadialVelocity), or Rotation Velocity (99SIEMENS, RotatnVelocity)

HR	Mean	Label	Code Meaning (Coding Scheme Designator, Code Value)	Modifiers
		[VVI-V] Time to Peak Systolic, <Long, Rad, or Rot>: Max Delay	Time to Peak by US (LN, 59121-4)	Derivation: Maximum (SRT, G-A437) Cardiac Cycle Point: Systole (SRT, F-32020) Myocardial Mechanics (99SIEMENS, MyocardialMech): Longitudinal Velocity (99SIEMENS, LongVelocity), Radial Velocity (99SIEMENS, RadialVelocity), or Rotation Velocity (99SIEMENS, RotatnVelocity)
		[VVI-V] Time to Peak Systolic, <Long, Rad, or Rot>: Std Dev	Time to Peak by US (LN, 59121-4)	Derivation: Standard Deviation (SRT, R-10047) Cardiac Cycle Point: Systole (SRT, F-32020) Myocardial Mechanics (99SIEMENS, MyocardialMech): Longitudinal Velocity (99SIEMENS, LongVelocity), Radial Velocity (99SIEMENS, RadialVelocity), or Rotation Velocity (99SIEMENS, RotatnVelocity)
	X	[VVI-V] Time to Peak Systolic: Segment <n> For Long, <n> = 1..17 For Rad, <n> = 1..16 For Rot, <n> = 1..16	Time to Peak by US (LN, 59121-4)	Cardiac Cycle Point: Systole (SRT, F-32020) Myocardial Mechanics (99SIEMENS, MyocardialMech): Longitudinal Velocity (99SIEMENS, LongVelocity), Radial Velocity (99SIEMENS, RadialVelocity), or Rotation Velocity (99SIEMENS, RotatnVelocity)

9.1.17.4 CAP: 3D PISA

The Clinical Application Package (CAP) SR structure for 3D PISA results is defined below.

HR	Mean	Label	Code Meaning (Coding Scheme Designator, Code Value)	Modifiers
3D PISA			Container: Findings (DCM, 121070)	Clinical Application Package: 3D PISA (99SIEMENS, 3DPISA)
			Container: Measurement Group (DCM, 125007)	Finding Site: Aortic Valve (SRT, T-354000) - AR Mitral Valve (SRT, T-353000) - MR Pulmonic Valve (SRT, T-352000) - PR or Tricuspid Valve (SRT, T-35100) - TR <valve> is AR, MR, PR, or TR
	X	[3DP] Average: <valve> Aliasing Velocity	Alias velocity (LN, 59130-5)	Flow Direction: Regurgitant Flow (SRT, R-42E61)
		[3DP] Peak: <valve> Aliasing Velocity	Alias velocity (LN, 59130-5)	Derivation: Maximum (SRT, G-A437) Flow Direction: Regurgitant Flow (SRT, R-42E61)

HR	Mean	Label	Code Meaning (Coding Scheme Designator, Code Value)	Modifiers
	X	[3DP] Average: <valve> EROA	Cardiovascular Orifice Area (SRT, G-038E)	Flow Direction: Regurgitant Flow (SRT, R-42E61)
		[3DP] Peak: <valve> EROA	Cardiovascular Orifice Area (SRT, G-038E)	Derivation: Maximum (SRT, G-A437) Flow Direction: Regurgitant Flow (SRT, R-42E61)
	X	[3DP] Average: <valve> 3D PISA	Flow Area (LN, 20226-7)	Flow Direction: Regurgitant Flow (SRT, R-42E61)
		[3DP] Peak: <valve> 3D PISA	Flow Area (LN, 20226-7)	Derivation: Maximum (SRT, G-A437) Flow Direction: Regurgitant Flow (SRT, R-42E61)
	X	[3DP] Average: <valve> Inst Flow Rate	Peak Instantaneous Flow Rate (LN, 34141-2)	Flow Direction: Regurgitant Flow (SRT, R-42E61)
		[3DP] Peak: <valve> Inst Flow Rate	Peak Instantaneous Flow Rate (LN, 34141-2)	Derivation: Maximum (SRT, G-A437) Flow Direction: Regurgitant Flow (SRT, R-42E61)
	X	[3DP] Average: <valve> Volume (3D PISA)	Volume using PISA (99SIEMENS, VolumePISA)	Flow Direction: Regurgitant Flow (SRT, R-42E61)
		[3DP] Peak: <valve> Volume (3D PISA)	Volume using PISA (99SIEMENS, VolumePISA)	Derivation: Maximum (SRT, G-A437) Flow Direction: Regurgitant Flow (SRT, R-42E61)

9.2 Appendix B: Vascular Structured Report

This appendix lists the DICOM Structured Report (SR) mappings used in the Vascular Structured Reports of the ACUSON SC2000 system SR files.

The mappings follow the DICOM SR Template TID 5100: Vascular Ultrasound Report, as described in PS 3.16-2009 of the DICOM Standard, and are organized in a manner similar to TID 5100. The **Label** column identifies the on-screen worksheet label associated with a measurement using the format “Vessel [Worksheet]” or “[Worksheet] Measurement Label”. All private code values use the Coding Scheme Designator “99SIEMENS”.

The **Mean** column indicates if a measurement has an average value associated it. A mean value is defined in the SR by the modifier: HAS CONCEPT MOD, CODE, Derivation (DCM, 121401) = Mean (SRT, R-00317) with VM of 1.

Vessels listed with the Topographical Modifiers Distal, Mid-longitudinal, and Proximal only have measurements associated with those topographical modifiers.

[...] contains additional information about the measurement.

Worksheets are identified in the Label column by the following notation:

<u>Notation</u>	<u>Worksheet</u>	<u>Notation</u>	<u>Worksheet</u>
[Ao-I]	Ao-Iliac	[2D]	2D
[Carotid]	Carotid	[D]	Doppler
[PV-L]	PV Art-Lower		
[PV-U]	PV Art-Upper		
[Renal]	Renal		

Measurements List 1 [L1]

Mean	Label	Code Meaning (Coding Scheme Designator, Code Value)	Modifiers
	[2D]: % Stenosis Area	Lumen Area Stenosis (SRT, R-101BA)	
	[2D]: % Stenosis Diam	Lumen Diameter Stenosis (SRT, R-101BB)	
	[D]: AT	Acceleration Time (LN, 20168-1)	
	[D]: ED (angle°)	End Diastolic Velocity (LN, 11653-3)	Doppler Angle (99SIEMENS, DopplerAngle)
X	[2D]: Inner Area	Vessel lumen cross-sectional area (SRT, G-0366)	
X	[2D]: Inner Diam	Vessel lumen diameter (SRT, G-0364)	
X	[2D]: Outer Area	Outer Area (99SIEMENS, OuterArea)	
X	[2D]: Outer Diam	Vessel outside diameter (SRT, G-0365)	
	[D]: PS (angle°)	Peak Systolic Velocity (LN, 11726-7)	Doppler Angle (99SIEMENS, DopplerAngle)
	[D]: S/D	Systolic to Diastolic Velocity Ratio (LN, 12144-2)	

Measurements List 2 [L2]

Mean	Label	Code Meaning (Coding Scheme Designator, Code Value)	Modifiers
	[D]: AT	Acceleration Time (LN, 20168-1)	
	[D]: ED (angle°)	End Diastolic Velocity (LN, 11653-3)	Doppler Angle (99SIEMENS, DopplerAngle)
	[D]: PS (angle°)	Peak Systolic Velocity (LN, 11726-7)	Doppler Angle (99SIEMENS, DopplerAngle)
	[D]: S/D	Systolic to Diastolic Velocity Ratio (LN, 12144-2)	

Measurements List 3 [L3]

Mean	Label	Code Meaning (Coding Scheme Designator, Code Value)	Modifiers
	[2D]: % Stenosis Area	Lumen Area Stenosis (SRT, R-101BA)	
	[2D]: % Stenosis Diam	Lumen Diameter Stenosis (SRT, R-101BB)	
	[D]: AT	Acceleration Time (LN, 20168-1)	
	[D]: ED (angle°)	End Diastolic Velocity (LN, 11653-3)	Doppler Angle (99SIEMENS, DopplerAngle)
X	[2D]: Inner Area	Vessel lumen cross-sectional area (SRT, G-0366)	
X	[2D]: Inner Diam	Vessel lumen diameter (SRT, G-0364)	
X	[2D]: Outer Area	Outer Area (99SIEMENS, OuterArea)	
X	[2D]: Outer Diam	Vessel outside diameter (SRT, G-0365)	
	[D]: PI	Pulsatility Index (LN, 12008-9)	
	[D]: PS (angle°)	Peak Systolic Velocity (LN, 11726-7)	Doppler Angle (99SIEMENS, DopplerAngle)
	[D]: RI	Resistivity Index (LN, 12023-8)	
	[D]: S/D	Systolic to Diastolic Velocity Ratio (LN, 12144-2)	
	[D]: TAMx (angle°)	Time averaged peak velocity (LN, 11692-1)	Doppler Angle (99SIEMENS, DopplerAngle)

Measurements List 4 [L4]

Mean	Label	Code Meaning (Coding Scheme Designator, Code Value)	Modifiers
	[D]: AT	Acceleration Time (LN, 20168-1)	
	[D]: ED (angle°)	End Diastolic Velocity (LN, 11653-3)	Doppler Angle (99SIEMENS, DopplerAngle)
	[D]: PI	Pulsatility Index (LN, 12008-9)	
	[D]: PS (angle°)	Peak Systolic Velocity (LN, 11726-7)	Doppler Angle (99SIEMENS, DopplerAngle)
	[D]: RI	Resistivity Index (LN, 12023-8)	
	[D]: S/D	Systolic to Diastolic Velocity Ratio (LN, 12144-2)	
	[D]: TAMx (angle°)	Time averaged peak velocity (LN, 11692-1)	Doppler Angle (99SIEMENS, DopplerAngle)

Measurements List 5 [L5]

Mean	Label	Code Meaning (Coding Scheme Designator, Code Value)	Modifiers
X	[2D]: Inner Diam	Vessel lumen diameter (SRT, G-0364)	
X	[2D]: Outer Diam	Vessel outside diameter (SRT, G-0365)	

9.2.1 Patient Characteristics

Label	Code Meaning (Coding Scheme Designator, Code Value)	Modifiers
Patient Characteristics	Container: Patient Characteristics (DCM, 121118)	
BP	Diastolic Blood Pressure (SRT, F-008ED)	
Age	Subject Age (DCM, 121033)	
Sex	Subject Sex (DCM, 121032)	
BP	Systolic Blood Pressure (SRT, F-008EC)	

9.2.2 Artery of Neck (Left Extracranial Arteries, Carotid Ratios)

Label	Code Meaning (Coding Scheme Designator, Code Value)	Modifiers
Artery of Neck (Left Extracranial Arteries, Carotid Ratios)	Finding Site: Artery of neck (SRT, T-45005)	Laterality: Left (SRT, G-A101)
[Carotid D]: L ICA/CCA (Max)	ICA/CCA velocity ratio (LN, 33868-1)	
[Carotid D]: L Prox ICA/Dist CCA	ICA Prox/CCA Distal Peak Systolic Velocity ratio (99SIEMENS, ICAPoverCCAdPSV)	
L Carotid Bulb [Carotid]	Location: Carotid Bulb (SRT, T-45170) [Measurements List: L1]	
L CCA [Carotid]	Location: Common Carotid Artery (SRT, T-45100)	
L Dist CCA	[Measurements List: L1]	Topographical modifier: Distal (SRT, G-A119)
L Mid CCA	[Measurements List: L1]	Topographical modifier: Mid-longitudinal (SRT, G-A188)
L Prox CCA	[Measurements List: L1]	Topographical modifier: Proximal (SRT, G-A118)
L ECA [Carotid]	Location: External Carotid Artery (SRT, T-45200)	
L Dist ECA	[Measurements List: L1]	Topographical modifier: Distal (SRT, G-A119)
L Mid ECA	[Measurements List: L1]	Topographical modifier: Mid-longitudinal (SRT, G-A188)
L Prox ECA	[Measurements List: L1]	Topographical modifier: Proximal (SRT, G-A118)

Label	Code Meaning (Coding Scheme Designator, Code Value)	Modifiers
L ICA [Carotid]	Location: Internal Carotid Artery (SRT, T-45300)	
L Dist ICA	[Measurements List: L1]	Topographical modifier: Distal (SRT, G-A119)
L Mid ICA	[Measurements List: L1]	Topographical modifier: Mid-longitudinal (SRT, G-A188)
L Prox ICA	[Measurements List: L1]	Topographical modifier: Proximal (SRT, G-A118)
L Vert A [Carotid]	Location: Vertebral Artery (SRT, T-45700)	
L Dist Vert A	[Measurements List: L2]	Topographical modifier: Distal (SRT, G-A119)
L Mid Vert A	[Measurements List: L2]	Topographical modifier: Mid-longitudinal (SRT, G-A188)
L Prox Vert A	[Measurements List: L2]	Topographical modifier: Proximal (SRT, G-A118)

9.2.3 Artery of Neck (Right Extracranial Arteries, Carotid Ratios)

Label	Code Meaning (Coding Scheme Designator, Code Value)	Modifiers
Artery of Neck (Right Extracranial Arteries, Carotid Ratios)	Finding Site: Artery of neck (SRT, T-45005)	Laterality: Right (SRT, G-A100)
[Carotid D]: R ICA/CCA (Max)	ICA/CCA velocity ratio (LN, 33868-1)	
[Carotid D]: R Prox ICA/Dist CCA	ICA Prox/CCA Distal Peak Systolic Velocity ratio (99SIEMENS, ICAPoverCCAdPSV)	
R Carotid Bulb [Carotid]	Location: Carotid Bulb (SRT, T-45170) [Measurements List: L1]	
R CCA [Carotid]	Location: Common Carotid Artery (SRT, T-45100)	
R Dist CCA	[Measurements List: L1]	Topographical modifier: Distal (SRT, G-A119)
R Mid CCA	[Measurements List: L1]	Topographical modifier: Mid-longitudinal (SRT, G-A188)
R Prox CCA	[Measurements List: L1]	Topographical modifier: Proximal (SRT, G-A118)
R ECA [Carotid]	Location: External Carotid Artery (SRT, T-45200)	
R Dist ECA	[Measurements List: L1]	Topographical modifier: Distal (SRT, G-A119)
R Mid ECA	[Measurements List: L1]	Topographical modifier: Mid-longitudinal (SRT, G-A188)
R Prox ECA	[Measurements List: L1]	Topographical modifier: Proximal (SRT, G-A118)
R ICA [Carotid]	Location: Internal Carotid Artery (SRT, T-45300)	
R Dist ICA	[Measurements List: L1]	Topographical modifier: Distal (SRT, G-A119)
R Mid ICA	[Measurements List: L1]	Topographical modifier: Mid-longitudinal (SRT, G-A188)
R Prox ICA	[Measurements List: L1]	Topographical modifier: Proximal (SRT, G-A118)

Label	Code Meaning (Coding Scheme Designator, Code Value)	Modifiers
R Vert A [Carotid]	Location: Vertebral Artery (SRT, T-45700)	
R Dist Vert A	[Measurements List: L2]	Topographical modifier: Distal (SRT, G-A119)
R Mid Vert A	[Measurements List: L2]	Topographical modifier: Mid-longitudinal (SRT, G-A188)
R Prox Vert A	[Measurements List: L2]	Topographical modifier: Proximal (SRT, G-A118)

9.2.4 Artery of Lower Extremity (Left Side)

Label	Code Meaning (Coding Scheme Designator, Code Value)	Modifiers
Artery of Lower Extremity (Left Side)	Finding Site: Artery of Lower Extremity (SRT, T-47040)	Laterality: Left (SRT, G-A101)
L Ant Tib A [PV-L]	Location: Anterior Tibial Artery (SRT, T-47700)	
L Dist Ant Tib A	[Measurements List: L2]	Topographical modifier: Distal (SRT, G-A119)
L Mid Ant Tib A	[Measurements List: L2]	Topographical modifier: Mid-longitudinal (SRT, G-A188)
L Prox Ant Tib A	[Measurements List: L2]	Topographical modifier: Proximal (SRT, G-A118)
L CFA [PV-L]	Location: Common Femoral Artery (SRT, T-47400)	
L Dist CFA	[Measurements List: L1]	Topographical modifier: Distal (SRT, G-A119)
L Mid CFA	[Measurements List: L1]	Topographical modifier: Mid-longitudinal (SRT, G-A188)
L Prox CFA	[Measurements List: L1]	Topographical modifier: Proximal (SRT, G-A118)
L CIA [Ao-I]	Location: Common Iliac Artery (SRT, T-46710)	
L Dist CIA	[Measurements List: L1]	Topographical modifier: Distal (SRT, G-A119)
L Mid CIA	[Measurements List: L1]	Topographical modifier: Mid-longitudinal (SRT, G-A188)
L Prox CIA	[Measurements List: L1]	Topographical modifier: Proximal (SRT, G-A118)
L DPA [PV-L]	Location: Dorsalis Pedis Artery (SRT, T-47741)	
L Dist DPA	[Measurements List: L2]	Topographical modifier: Distal (SRT, G-A119)
L Mid DPA	[Measurements List: L2]	Topographical modifier: Mid-longitudinal (SRT, G-A188)
L Prox DPA	[Measurements List: L2]	Topographical modifier: Proximal (SRT, G-A118)
L EIA [Ao-I]	Location: External Iliac Artery (SRT, T-46910)	
L Dist EIA	[Measurements List: L1]	Topographical modifier: Distal (SRT, G-A119)
L Mid EIA	[Measurements List: L1]	Topographical modifier: Mid-longitudinal (SRT, G-A188)
L Prox EIA	[Measurements List: L1]	Topographical modifier: Proximal (SRT, G-A118)

Label	Code Meaning (Coding Scheme Designator, Code Value)	Modifiers
L IIA [Ao-I]	Location: Internal Iliac Artery (SRT, T-46740)	
L Dist IIA	[Measurements List: L1]	Topographical modifier: Distal (SRT, G-A119)
L Mid IIA	[Measurements List: L1]	Topographical modifier: Mid-longitudinal (SRT, G-A188)
L Prox IIA	[Measurements List: L1]	Topographical modifier: Proximal (SRT, G-A118)
L Peroneal A [PV-L]	Location: Peroneal Artery (SRT, T-47630)	
L Dist Peroneal A	[Measurements List: L2]	Topographical modifier: Distal (SRT, G-A119)
L Mid Peroneal A	[Measurements List: L2]	Topographical modifier: Mid-longitudinal (SRT, G-A188)
L Prox Peroneal A	[Measurements List: L2]	Topographical modifier: Proximal (SRT, G-A118)
L Pop A [PV-L]	Location: Popliteal Artery (SRT, T-47500)	
L Dist Pop A	[Measurements List: L1]	Topographical modifier: Distal (SRT, G-A119)
L Mid Pop A	[Measurements List: L1]	Topographical modifier: Mid-longitudinal (SRT, G-A188)
L Prox Pop A	[Measurements List: L1]	Topographical modifier: Proximal (SRT, G-A118)
L Post Tib A [PV-L]	Location: Posterior Tibial Artery (SRT, T-47600)	
L Dist Post Tib A	[Measurements List: L2]	Topographical modifier: Distal (SRT, G-A119)
L Mid Post Tib A	[Measurements List: L2]	Topographical modifier: Mid-longitudinal (SRT, G-A188)
L Prox Post Tib A	[Measurements List: L2]	Topographical modifier: Proximal (SRT, G-A118)
L PFA [PV-L]	Location: Profunda Femoris Artery (SRT, T-47440)	
L Dist PFA	[Measurements List: L1]	Topographical modifier: Distal (SRT, G-A119)
L Mid PFA	[Measurements List: L1]	Topographical modifier: Mid-longitudinal (SRT, G-A188)
L Prox PFA	[Measurements List: L1]	Topographical modifier: Proximal (SRT, G-A118)
L SFA [PV-L]	Location: Superficial Femoral Artery (SRT, T-47403)	
L Dist SFA	[Measurements List: L1]	Topographical modifier: Distal (SRT, G-A119)
L Mid SFA	[Measurements List: L1]	Topographical modifier: Mid-longitudinal (SRT, G-A188)
L Prox SFA	[Measurements List: L1]	Topographical modifier: Proximal (SRT, G-A118)
L T-P Trunk A [PV-L]	Location: Tibioperoneal Trunk (SRT, T-4704A)	
L Dist T-P Trunk A	[Measurements List: L2]	Topographical modifier: Distal (SRT, G-A119)
L Mid T-P Trunk A	[Measurements List: L2]	Topographical modifier: Mid-longitudinal (SRT, G-A188)
L Prox T-P Trunk A	[Measurements List: L2]	Topographical modifier: Proximal (SRT, G-A118)

9.2.5 Artery of Lower Extremity (Right Side)

Label	Code Meaning (Coding Scheme Designator, Code Value)	Modifiers
Artery of Lower Extremity (Right Side)	Finding Site: Artery of Lower Extremity (SRT, T-47040)	Laterality: Right (SRT, G-A100)
R Ant Tib A [PV-L]	Location: Anterior Tibial Artery (SRT, T-47700)	
R Dist Ant Tib A	[Measurements List: L2]	Topographical modifier: Distal (SRT, G-A119)
R Mid Ant Tib A	[Measurements List: L2]	Topographical modifier: Mid-longitudinal (SRT, G-A188)
R Prox Ant Tib A	[Measurements List: L2]	Topographical modifier: Proximal (SRT, G-A118)
R CFA [PV-L]	Location: Common Femoral Artery (SRT, T-47400)	
R Dist CFA	[Measurements List: L1]	Topographical modifier: Distal (SRT, G-A119)
R Mid CFA	[Measurements List: L1]	Topographical modifier: Mid-longitudinal (SRT, G-A188)
R Prox CFA	[Measurements List: L1]	Topographical modifier: Proximal (SRT, G-A118)
R CIA [Ao-I]	Location: Common Iliac Artery (SRT, T-46710)	
R Dist CIA	[Measurements List: L1]	Topographical modifier: Distal (SRT, G-A119)
R Mid CIA	[Measurements List: L1]	Topographical modifier: Mid-longitudinal (SRT, G-A188)
R Prox CIA	[Measurements List: L1]	Topographical modifier: Proximal (SRT, G-A118)
R DPA [PV-L]	Location: Dorsalis Pedis Artery (SRT, T-47741)	
R Dist DPA	[Measurements List: L2]	Topographical modifier: Distal (SRT, G-A119)
R Mid DPA	[Measurements List: L2]	Topographical modifier: Mid-longitudinal (SRT, G-A188)
R Prox DPA	[Measurements List: L2]	Topographical modifier: Proximal (SRT, G-A118)
R EIA [Ao-I]	Location: External Iliac Artery (SRT, T-46910)	
R Dist EIA	[Measurements List: L1]	Topographical modifier: Distal (SRT, G-A119)
R Mid EIA	[Measurements List: L1]	Topographical modifier: Mid-longitudinal (SRT, G-A188)
R Prox EIA	[Measurements List: L1]	Topographical modifier: Proximal (SRT, G-A118)
R IIA [Ao-I]	Location: Internal Iliac Artery (SRT, T-46740)	
R Dist IIA	[Measurements List: L1]	Topographical modifier: Distal (SRT, G-A119)
R Mid IIA	[Measurements List: L1]	Topographical modifier: Mid-longitudinal (SRT, G-A188)
R Prox IIA	[Measurements List: L1]	Topographical modifier: Proximal (SRT, G-A118)

Label	Code Meaning (Coding Scheme Designator, Code Value)	Modifiers
R Peroneal A [PV-L]	Location: Peroneal Artery (SRT, T-47630)	
R Dist Peroneal A	[Measurements List: L2]	Topographical modifier: Distal (SRT, G-A119)
R Mid Peroneal A	[Measurements List: L2]	Topographical modifier: Mid-longitudinal (SRT, G-A188)
R Prox Peroneal A	[Measurements List: L2]	Topographical modifier: Proximal (SRT, G-A118)
R Pop A [PV-L]	Location: Popliteal Artery (SRT, T-47500)	
R Dist Pop A	[Measurements List: L1]	Topographical modifier: Distal (SRT, G-A119)
R Mid Pop A	[Measurements List: L1]	Topographical modifier: Mid-longitudinal (SRT, G-A188)
R Prox Pop A	[Measurements List: L1]	Topographical modifier: Proximal (SRT, G-A118)
R Post Tib A [PV-L]	Location: Posterior Tibial Artery (SRT, T-47600)	
R Dist Post Tib A	[Measurements List: L2]	Topographical modifier: Distal (SRT, G-A119)
R Mid Post Tib A	[Measurements List: L2]	Topographical modifier: Mid-longitudinal (SRT, G-A188)
R Prox Post Tib A	[Measurements List: L2]	Topographical modifier: Proximal (SRT, G-A118)
R PFA [PV-L]	Location: Profunda Femoris Artery (SRT, T-47440)	
R Dist PFA	[Measurements List: L1]	Topographical modifier: Distal (SRT, G-A119)
R Mid PFA	[Measurements List: L1]	Topographical modifier: Mid-longitudinal (SRT, G-A188)
R Prox PFA	[Measurements List: L1]	Topographical modifier: Proximal (SRT, G-A118)
R SFA [PV-L]	Location: Superficial Femoral Artery (SRT, T-47403)	
R Dist SFA	[Measurements List: L1]	Topographical modifier: Distal (SRT, G-A119)
R Mid SFA	[Measurements List: L1]	Topographical modifier: Mid-longitudinal (SRT, G-A188)
R Prox SFA	[Measurements List: L1]	Topographical modifier: Proximal (SRT, G-A118)
R T-P Trunk A [PV-L]	Location: Tibioperoneal Trunk (SRT, T-4704A)	
R Dist T-P Trunk A	[Measurements List: L2]	Topographical modifier: Distal (SRT, G-A119)
R Mid T-P Trunk A	[Measurements List: L2]	Topographical modifier: Mid-longitudinal (SRT, G-A188)
R Prox T-P Trunk A	[Measurements List: L2]	Topographical modifier: Proximal (SRT, G-A118)

9.2.6 Artery of Upper Extremity (Left Side)

Label	Code Meaning (Coding Scheme Designator, Code Value)	Modifiers
Artery of Upper Extremity (Left Side)	Finding Site: Artery of Upper Extremity (SRT, T-47020)	Laterality: Left (SRT, G-A101)
L Axil A [PV-U]	Location: Axillary Artery (SRT, T-47100)	
L Dist Axil A	[Measurements List: L1]	Topographical modifier: Distal (SRT, G-A119)
L Mid Axil A	[Measurements List: L1]	Topographical modifier: Mid-longitudinal (SRT, G-A188)
L Prox Axil A	[Measurements List: L1]	Topographical modifier: Proximal (SRT, G-A118)
L Brach A [PV-U]	Location: Brachial Artery (SRT, T-47160)	
L Dist Brach A	[Measurements List: L1]	Topographical modifier: Distal (SRT, G-A119)
L Mid Brach A	[Measurements List: L1]	Topographical modifier: Mid-longitudinal (SRT, G-A188)
L Prox Brach A	[Measurements List: L1]	Topographical modifier: Proximal (SRT, G-A118)
L Radial A [PV-U]	Location: Radial Artery (SRT, T-47300)	
L Dist Radial A	[Measurements List: L1]	Topographical modifier: Distal (SRT, G-A119)
L Mid Radial A	[Measurements List: L1]	Topographical modifier: Mid-longitudinal (SRT, G-A188)
L Prox Radial A	[Measurements List: L1]	Topographical modifier: Proximal (SRT, G-A118)
L Subclav A [Carotid]	Location: Subclavian Artery (SRT, T-46100)	
L Dist Subclav A	[Measurements List: L2]	Topographical modifier: Distal (SRT, G-A119)
L Mid Subclav A	[Measurements List: L2]	Topographical modifier: Mid-longitudinal (SRT, G-A188)
L Prox Subclav A	[Measurements List: L2]	Topographical modifier: Proximal (SRT, G-A118)
L Subclav A [PV-U]	Location: Subclavian Artery (SRT, T-46100)	
L Dist Subclav A	[Measurements List: L1]	Topographical modifier: Distal (SRT, G-A119)
L Mid Subclav A	[Measurements List: L1]	Topographical modifier: Mid-longitudinal (SRT, G-A188)
L Prox Subclav A	[Measurements List: L1]	Topographical modifier: Proximal (SRT, G-A118)
L Ulnar A [PV-U]	Location: Ulnar Artery (SRT, T-47200)	
L Dist Ulnar A	[Measurements List: L1]	Topographical modifier: Distal (SRT, G-A119)
L Mid Ulnar A	[Measurements List: L1]	Topographical modifier: Mid-longitudinal (SRT, G-A188)
L Prox Ulnar A	[Measurements List: L1]	Topographical modifier: Proximal (SRT, G-A118)

9.2.7 Artery of Upper Extremity (Right Side)

Label	Code Meaning (Coding Scheme Designator, Code Value)	Modifiers
Artery of Upper Extremity (Right Side)	Finding Site: Artery of Upper Extremity (SRT, T-47020)	Laterality: Right (SRT, G-A100)
R Axil A [PV-U]	Location: Axillary Artery (SRT, T-47100)	
R Dist Axil A	[Measurements List: L1]	Topographical modifier: Distal (SRT, G-A119)
R Mid Axil A	[Measurements List: L1]	Topographical modifier: Mid-longitudinal (SRT, G-A188)
R Prox Axil A	[Measurements List: L1]	Topographical modifier: Proximal (SRT, G-A118)
R Brach A [PV-U]	Location: Brachial Artery (SRT, T-47160)	
R Dist Brach A	[Measurements List: L1]	Topographical modifier: Distal (SRT, G-A119)
R Mid Brach A	[Measurements List: L1]	Topographical modifier: Mid-longitudinal (SRT, G-A188)
R Prox Brach A	[Measurements List: L1]	Topographical modifier: Proximal (SRT, G-A118)
Innom A [Carotid, PV-U]	Location: Innominate Artery (SRT, T-46010)	
Dist Innom A	[Measurements List: L2]	Topographical modifier: Distal (SRT, G-A119)
Mid Innom A	[Measurements List: L2]	Topographical modifier: Mid-longitudinal (SRT, G-A188)
Prox Innom A	[Measurements List: L2]	Topographical modifier: Proximal (SRT, G-A118)
R Radial A [PV-U]	Location: Radial Artery (SRT, T-47300)	
R Dist Radial A	[Measurements List: L1]	Topographical modifier: Distal (SRT, G-A119)
R Mid Radial A	[Measurements List: L1]	Topographical modifier: Mid-longitudinal (SRT, G-A188)
R Prox Radial A	[Measurements List: L1]	Topographical modifier: Proximal (SRT, G-A118)
R Subclav A [Carotid]	Location: Subclavian Artery (SRT, T-46100)	
R Dist Subclav A	[Measurements List: L2]	Topographical modifier: Distal (SRT, G-A119)
R Mid Subclav A	[Measurements List: L2]	Topographical modifier: Mid-longitudinal (SRT, G-A188)
R Prox Subclav A	[Measurements List: L2]	Topographical modifier: Proximal (SRT, G-A118)
R Subclav A [PV-U]	Location: Subclavian Artery (SRT, T-46100)	
R Dist Subclav A	[Measurements List: L1]	Topographical modifier: Distal (SRT, G-A119)
R Mid Subclav A	[Measurements List: L1]	Topographical modifier: Mid-longitudinal (SRT, G-A188)
R Prox Subclav A	[Measurements List: L1]	Topographical modifier: Proximal (SRT, G-A118)

Label	Code Meaning (Coding Scheme Designator, Code Value)	Modifiers
R Ulnar A [PV-U]	Location: Ulnar Artery (SRT, T-47200)	
R Dist Ulnar A	[Measurements List: L1]	Topographical modifier: Distal (SRT, G-A119)
R Mid Ulnar A	[Measurements List: L1]	Topographical modifier: Mid-longitudinal (SRT, G-A188)
R Prox Ulnar A	[Measurements List: L1]	Topographical modifier: Proximal (SRT, G-A118)

9.2.8 Vascular Structure of Kidney (Left Side)

Label	Code Meaning (Coding Scheme Designator, Code Value)	Modifiers
Vascular Structure of Kidney (Left Side)	Finding Site: Vascular Structure of Kidney (SRT, T-71019)	Laterality: Left (SRT, G-A101)
[Renal D]: L RA/Ao	Renal Artery/Aorta velocity ratio (LN, 33869-9)	Finding Site: Supra-renal Aorta (SRT, T-42510)
L Arcuate A [Renal]	Location: Arcuate Artery of the Kidney (SRT, T-4668A) [Measurements List: L4]	Vessel Branch: Inferior (SRT, G-A115)
L Interlobar A [Renal]	Location: Interlobar Artery of Kidney (SRT, T-4667D) [Measurements List: L4]	
L Renal A [Renal]	Location: Renal Artery (SRT, T-46600)	
L Dist Renal A	[Measurements List: L3]	Topographical modifier: Distal (SRT, G-A119)
L Mid Renal A	[Measurements List: L3]	Topographical modifier: Mid-longitudinal (SRT, G-A188)
L Prox Renal A	[Measurements List: L3]	Topographical modifier: Proximal (SRT, G-A118)
L Renal A Origin [Renal]	Location: Renal Artery (SRT, T-46600) [Measurements List: L3]	Topographical modifier: Origin of vessel (SRT, G-036A)
L Renal V [Renal]	Location: Renal Vein (SRT, T-48740)	
L Dist Renal V	[Measurements List: L5]	Topographical modifier: Distal (SRT, G-A119)
L Mid Renal V	[Measurements List: L5]	Topographical modifier: Mid-longitudinal (SRT, G-A188)
L Prox Renal V	[Measurements List: L5]	Topographical modifier: Proximal (SRT, G-A118)
L Segmental A [Renal]	Location: Segmental Artery (SRT, T-46659) [Measurements List: L4]	Vessel Branch: Inferior (SRT, G-A115)

Label	Code Meaning (Coding Scheme Designator, Code Value)	Modifiers
L Kidney [Renal 2D]	Location: Kidney (SRT, T-71000)	
[Renal 2D]: L Kidney A/P	Height (DCM, 121207)	
[Renal 2D]: L Kidney A/P	Height (DCM, 121207)	Derivation: Mean (SRT, R-00317)
[Renal 2D]: L Kidney Length	Length (SRT, G-A22A)	
[Renal 2D]: L Kidney Length	Length (SRT, G-A22A)	Derivation: Mean (SRT, R-00317)
[Renal 2D]: L Kidney Width	Width (SRT, G-A220)	
[Renal 2D]: L Kidney Width	Width (SRT, G-A220)	Derivation: Mean (SRT, R-00317)

9.2.9 Vascular Structure of Kidney (Right Side)

Label	Code Meaning (Coding Scheme Designator, Code Value)	Modifiers
Vascular Structure of Kidney (Right Side)	Finding Site: Vascular Structure of Kidney (SRT, T-71019)	Laterality: Right (SRT, G-A100)
[Renal D]: R RA/Ao	Renal Artery/Aorta velocity ratio (LN, 33869-9)	Finding Site: Supra-renal Aorta (SRT, T-42510)
R Arcuate A [Renal]	Location: Arcuate Artery of the Kidney (SRT, T-4668A) [Measurements List: L4]	Vessel Branch: Inferior (SRT, G-A115)
R Interlobar A [Renal]	Location: Interlobar Artery of Kidney (SRT, T-4667D) [Measurements List: L4]	
R Renal A [Renal]	Location: Renal Artery (SRT, T-46600)	
R Dist Renal A	[Measurements List: L3]	Topographical modifier: Distal (SRT, G-A119)
R Mid Renal A	[Measurements List: L3]	Topographical modifier: Mid-longitudinal (SRT, G-A188)
R Prox Renal A	[Measurements List: L3]	Topographical modifier: Proximal (SRT, G-A118)
R Renal A Origin [Renal]	Location: Renal Artery (SRT, T-46600) [Measurements List: L3]	Topographical modifier: Origin of vessel (SRT, G-036A)
R Renal V [Renal]	Location: Renal Vein (SRT, T-48740)	
R Dist Renal V	[Measurements List: L5]	Topographical modifier: Distal (SRT, G-A119)
R Mid Renal V	[Measurements List: L5]	Topographical modifier: Mid-longitudinal (SRT, G-A188)
R Prox Renal V	[Measurements List: L5]	Topographical modifier: Proximal (SRT, G-A118)
R Segmental A [Renal]	Location: Segmental Artery (SRT, T-46659) [Measurements List: L4]	Vessel Branch: Inferior (SRT, G-A115)

Label	Code Meaning (Coding Scheme Designator, Code Value)	Modifiers
R Kidney [Renal 2D]	Location: Kidney (SRT, T-71000)	
[Renal 2D]: R Kidney A/P	Height (DCM, 121207)	
[Renal 2D]: R Kidney A/P	Height (DCM, 121207)	Derivation: Mean (SRT, R-00317)
[Renal 2D]: R Kidney Length	Length (SRT, G-A22A)	
[Renal 2D]: R Kidney Length	Length (SRT, G-A22A)	Derivation: Mean (SRT, R-00317)
[Renal 2D]: R Kidney Width	Width (SRT, G-A220)	
[Renal 2D]: R Kidney Width	Width (SRT, G-A220)	Derivation: Mean (SRT, R-00317)

9.2.10 Artery of Abdomen (Unilateral)

Label	Code Meaning (Coding Scheme Designator, Code Value)	Modifiers
Artery of Abdomen (Unilateral)	Finding Site: Artery of Abdomen (SRT, T-46002)	Laterality: Unilateral (SRT, G-A103)
Aorta [Ao-I]	Location: Aorta (SRT, T-42000)	
Dist Aorta	[Measurements List: L1]	Topographical modifier: Distal (SRT, G-A119)
Mid Aorta	[Measurements List: L1]	Topographical modifier: Mid-longitudinal (SRT, G-A188)
Prox Aorta	[Measurements List: L1]	Topographical modifier: Proximal (SRT, G-A118)
Aorta [Renal]	Location: Aorta (SRT, T-42000)	
Dist Aorta	[Measurements List: L3]	Topographical modifier: Distal (SRT, G-A119)
Mid Aorta	[Measurements List: L3]	Topographical modifier: Mid-longitudinal (SRT, G-A188)
Prox Aorta	[Measurements List: L3]	Topographical modifier: Proximal (SRT, G-A118)
Suprarenal Aorta [Renal]	Location: Supra-renal Aorta (SRT, T-42510) [Measurements List: L3]	

9.2.11 Vein of Abdomen (Unilateral)

Label	Code Meaning (Coding Scheme Designator, Code Value)	Modifiers
Vein of Abdomen (Unilateral)	Finding Site: Vein of Abdomen (SRT, T-487A0)	Laterality: Unilateral (SRT, G-A103)
IVC [Renal]	Location: Inferior Vena Cava (SRT, T-48710)	
Dist IVC	[Measurements List: L5]	Topographical modifier: Distal (SRT, G-A119)
Mid IVC	[Measurements List: L5]	Topographical modifier: Mid-longitudinal (SRT, G-A188)
Prox IVC	[Measurements List: L5]	Topographical modifier: Proximal (SRT, G-A118)

9.3 Appendix C: Supported Units in Structured Reports

The following UCUM units, Version 1.4, are used in the structured reports of the ACUSON SC2000 system.

Label	Code Value	Code Meaning
%	%	percent
1/s	1/s	1/s
bpm	bpm	beats per minute
circs/s	circs/s	circles per second
cm	cm	centimeters
cm/s	cm/s	centimeters per second
cm ²	cm2	square centimeters
cm ² /m ²	cm2/m2	square centimeters per square meter
deg	deg	degree of angle
deg/s	deg/s	degrees per second
g	g	grams
g/cm	g/cm	grams per centimeter
g/cm ²	g/cm2	grams per square centimeter
g/m ²	g/m2	grams per square meter
l/min	l/min	liters per minute
l/min/m ²	l/min/m2	liters per minute per square meter
m	m	meters
m/s	m/s	meters per second
m/s ²	m/s2	meters per square second
m ²	m2	square meters
ml	ml	milliliters
ml*%	ml*%	milliliters percent
ml/m ²	ml/m2	milliliters per square meter
ml/s	ml/m2	milliliters per second
mm	mm	millimeters
mm ²	mm2	square millimeters
mmHg	mm[Hg]	millimeters of mercury column

Label	Code Value	Code Meaning
mmHg/s	mm[Hg]/s	millimeters of mercury per second
msec	ms	milliseconds
[unitless]	1	no units
years	a	years
days	d	days
weeks	wk	weeks
months	mo	months