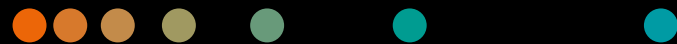


Special focus: Biopsy

Exclude the maybes from breast cancer diagnosis

How MAMMOMAT B.brilliant is helping a private Swiss clinic deliver excellence in mammography.





Precision and confidence

Biopsy with MAMMOMAT B.brilliant

Senior Radiologist Dr. Romana Goette praised features that support fast therapy decisions: Simplified planning, accurate targeting, precise needle feedback, and intra-procedural specimen examination.

"We are particularly impressed by ... the new biopsy capabilities."



Dr. Romana Goette
Senior Radiologist

Staff at the Hirslanden St. Anna breast cancer unit have highlighted multiple benefits of the ground-breaking MAMMOMAT B.brilliant system:



Fast and easy biopsies



A new dimension in image quality



A new level of comfort



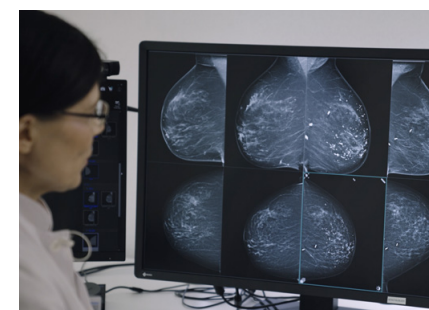
First-class customer support

Accurate targeting

Dr. Goette values the convenience and simplicity of biopsy planning with MAMMOMAT B.brilliant. Featuring the best depth resolution¹ in tomosynthesis, it delivers a target accuracy of ± 1 mm for precise and confident biopsy procedures.



With superior depth resolution and brilliant visibility of calcifications, you can target suspicious areas in tomosynthesis slices with very high confidence.



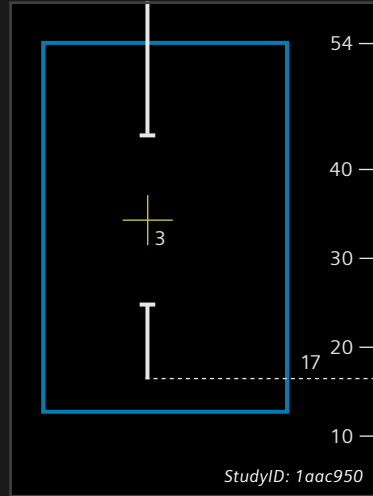
"Calcifications are shown with very high resolution, and we can assess them very effectively in terms of morphology."

Dr. Romana Goette
Senior Radiologist

¹ Maldera et al. (2016): Digital breast tomosynthesis: Dose and image quality assessment. Physica Medica, pp. 1-12.

Simplified planning

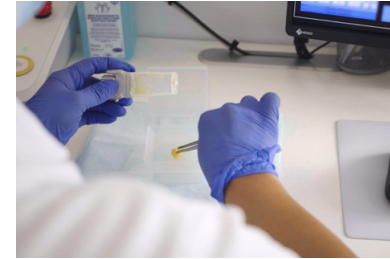
Needle Navigator gives you immediate visual feedback on the position of the needle within the tissue and how the aperture of the needle is positioned relative to the target.



Navigate easily and avoid unnecessary re-adjustments.

Integrated specimen exam

Thanks to a more patient-centric biopsy workflow, Dr. Goette can now examine the specimen without releasing her patient.



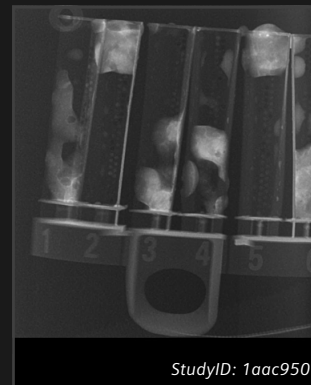
“The ability to examine the biopsy specimen during the procedure is truly groundbreaking.”

Dr. Romana Goette
Senior Radiologist

“The needle navigator simplifies biopsy planning, allowing me to see exactly how deep the needle is within the tissue.”



Dr. Romana Goette
Senior Radiologist



By checking the specimen in the exam room, Dr. Goette can save time, focus on her patient, and spare the patient unnecessary inconvenience. This also eliminates the need for an additional scan device.

Scan the specimen in less than 20 seconds with InSpect, the specimen exam integrated in MAMMOMAT B.brilliant.

Choose your technology

MAMMOMAT B.brilliant offers easy access to supplemental modalities for diagnostic clarification, so you can save time and dose – and work as you prefer:

- > TiCEM
- > Insight 2D
- > Insight 3D
- > 50° Wide-Angle Tomosynthesis
- > FFDM
- > Insight BD



MAMMOMAT B.brilliant

[> Learn more](#)

**MAMMOMAT B.brilliant is not available in all countries.
Its future availability cannot be guaranteed.**

The statements by Siemens Healthineers customers described herein are based on results that were achieved in the customer's unique setting. Since there is no "typical" hospital and many variables exist (e.g., hospital size, case mix, level of IT adoption) there can be no guarantee that other customers will achieve the same results. The statements are from a person, who or whose institution is engaged in a collaboration with Siemens Healthineers.

Siemens Healthineers Headquarters

Siemens Healthineers AG
Siemensstraße 3
91301 Forchheim, Germany
Phone: +49 9131 84-0
siemens-healthineers.com